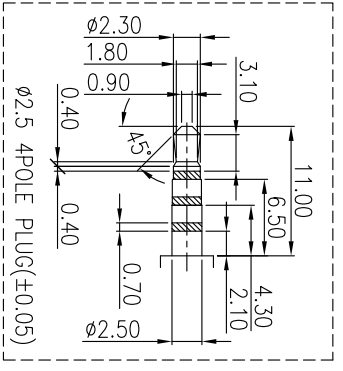
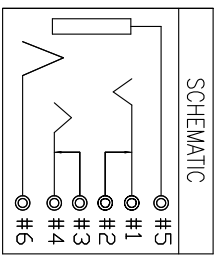
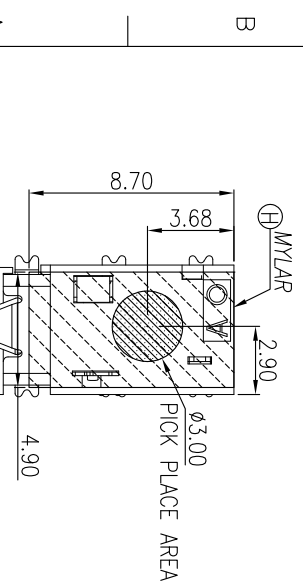


RECOMMENDED PCB LAYOUT
TOP VIEW (TOLERANCE: ±0.05)



- SPECIFICATIONS:
- 1, Electrical Characteristics:
- 1-1. Rating: 12V/1A
 - 1-2. Contact resistance: 30mΩ Max.(initial)
 - 1-3. Dielectric withstanding voltage: 500V AC for one minute
 - 1-4. Insulation resistance: 100MΩ Min. measured by 500V DC
- 2, Mechanical characteristics:
- 2-1. Insertion force: 3.5 Kgf Max.
 - 2-2. Withdrawal force: 0.3~3.0 Kgf
- 3, Life test: 5,000 Cycles
 - 4, Other general spec to refer "2S12428 series spec"
 - 5, To conform to singatron hazardous substance free spec
 - 6, Halogen free product identification Mark: Ⓢ
 - 7, Halogen free product identification label on packaging: Ⓢ
 - 8, For reflow soldering lead-free process
 - 9, Packaging: Tape&Reel

H	MYLAR	1	MYLAR 0.08T		
G	RING SPRING B	1	COPPY ALLOY 0.2t	GOLD FLASH	
F	EARTH	1	COPPY ALLOY 0.2t	GOLD FLASH	
E	TIP SPRING	1	COPPY ALLOY 0.15t	GOLD FLASH	
D	SHUNT TERMINAL-A	1	COPPY ALLOY 0.2t	GOLD FLASH	
C	SHUNT TERMINAL-B	1	COPPY ALLOY 0.2t	GOLD FLASH	
B	RING SPRING A	1	COPPER ALLOY 0.2t	GOLD FLASH	
A	BODY	1	HIGH TEMP PLASTIC	ORANGE (1375C)	
NO	DESCRIPTION	QTY	MATERIAL	PLATING & COLOR	

UNLESS OTHERWISE SPECIFIED TOLERANCES

Singatron Enterprise Co., Ltd.
信音企業股份有限公司

DECIMALS:	ANGLES:	TITLE	2.5Φ PHONE JACK
X : ±0.5	X : ±2°	DWN	14/3/7
X.X : ±0.3	X.X : ±1°	CHKD	14/3/7
X.XX : ±0.2		APVD	14/3/7

CUSTOMER COPY

REV: A	ECN NO OR DESCRIPTION	REVISION	DATE
	PRODUCT RELEASE	ZhiIn-Wei	2014.02.27