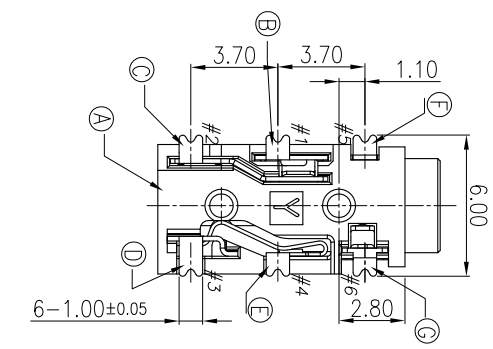
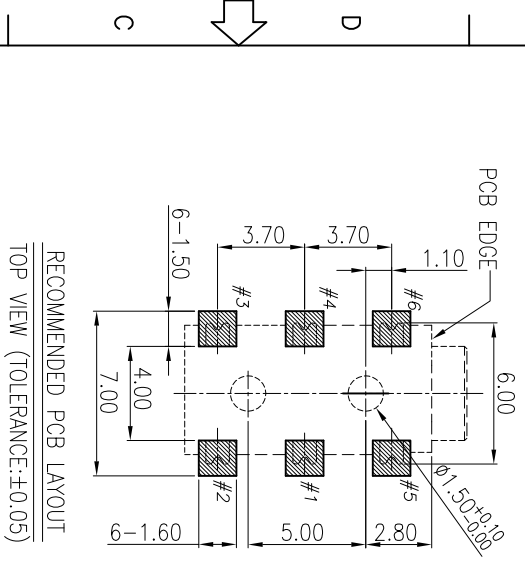
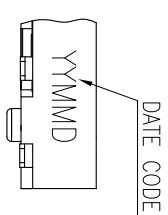
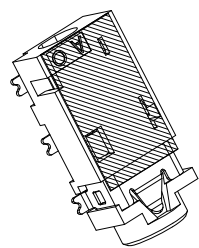
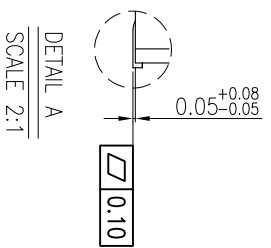
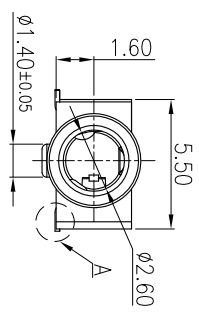
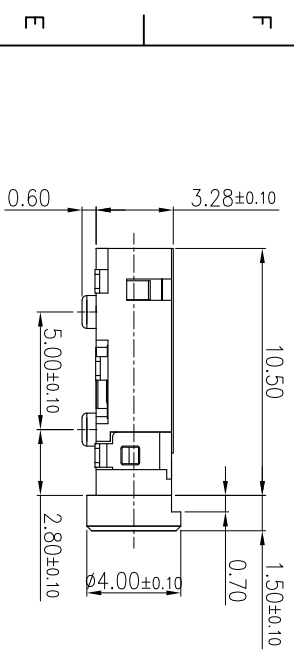


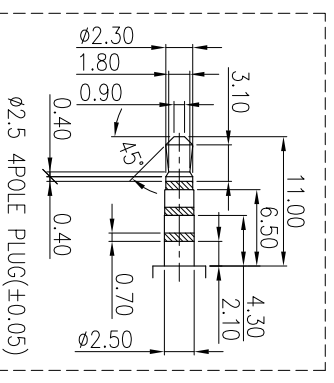
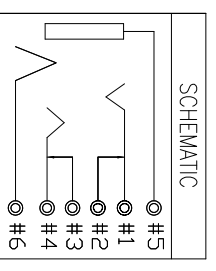
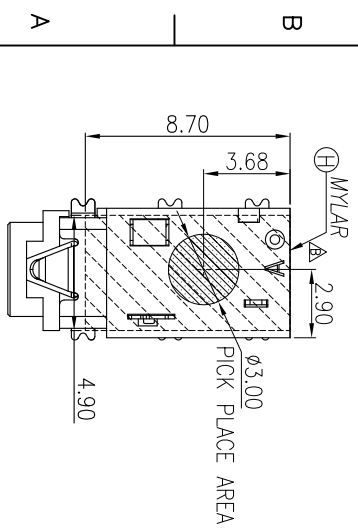
REV.	ECN NO OR DESCRIPTION	REVISED	DATE
A	PRODUCT RELEASE	Panhong	2013.08.09
B	ECN C140043 UPDATE DRAWING	ZLS	2014.7.4
C	ECN No.: C140257 SHOW BODY MATERIAL AND FLAMMABILITY	REX	2014.11.05



- SPECIFICATIONS:
- ELECTRICAL CHARACTERISTICS:
 - 1-1. RATING: 12V/1A.
 - 1-2. CONTACT RESISTANCE: 30mΩ MAX(INITIAL).
 - 1-3. DIELECTRIC VOLTAGE WITHSTAND: 250V AC FOR ONE MINUTE
 - 1-4. INSULATION RESISTANCE: 100MΩ MIN. MEASURED BY 500 VDC
 - MECHANICAL CHARACTERISTICS:
 - 2-1. INSERTED FORCE : 3.5 Kgf MAX.
 - 2-2. WITHDRAWAL FORCE : 0.3~3.0 Kgf
 3. LIFE TEST: 5,000 CYCLES .
 4. TO CONFORM TO THE SINGATRON HSF SPECIFICATION.
 6. HALOGEN FREE PRODUCT IDENTIFICATION MARK:
 7. HALOGEN FREE PRODUCT IDENTIFICATION LABEL ON PACKAGING:
 8. FOR REFLOW SOLDERING LEAD-FREE PROCESS.
 9. PACKAGING : TAPE & REEL.

NO	DESCRIPTION	QTY	MATERIAL	PLATING & COLOR
H	MYLAR	1	MYLAR 0.08T	
G	RING SPRING B	1	COPPY ALLOY 0.2t	GOLD FLASH
F	EARTH	1	COPPY ALLOY 0.2t	GOLD FLASH
E	TIP SPRING	1	COPPY ALLOY 0.15t	GOLD FLASH
D	SHUNT TERMINAL-A	1	COPPY ALLOY 0.2t	GOLD FLASH
C	SHUNT TERMINAL-B	1	COPPY ALLOY 0.2t	GOLD FLASH
B	RING SPRING A	1	COPPER ALLOY 0.2t	GOLD FLASH
A	BODY	1	LCPP-30%05 UL94V-0	BLACK

RECOMMENDED PCB LAYOUT
TOP VIEW (TOLERANCE:±0.05)



Singatron Enterprise Co., Ltd.
 信音企業股份有限公司

DECIMALS:	ANGLES:
X :±0.5	X :±2
X.X :±0.3	X.X :±1
X.XX :±0.2	

TITLE	2.5Ø PHONE JACK
DMW	REV 2014.11.07
CHKD	WZJ 2014.11.07
APVD	IZZ 2014.11.07

PART NO:2S2428-000151F
SCALE 5:1
UNIT: mm
SHEET: 1 OF 1
REV: C

CUSTOMER COPY