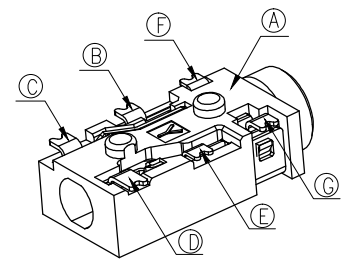
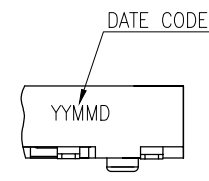
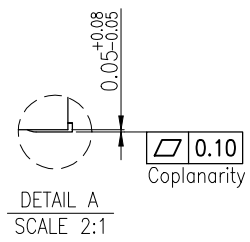
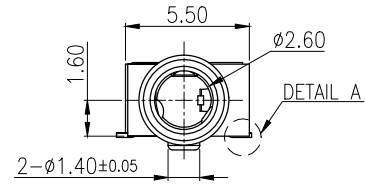
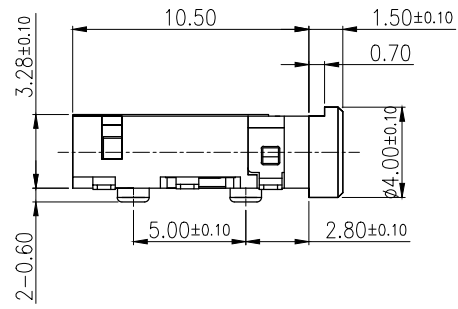
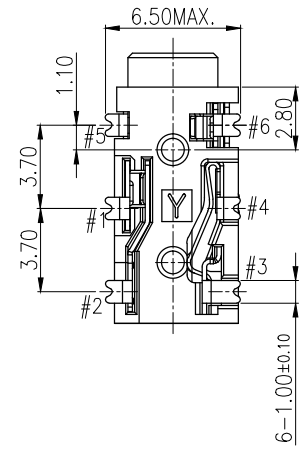
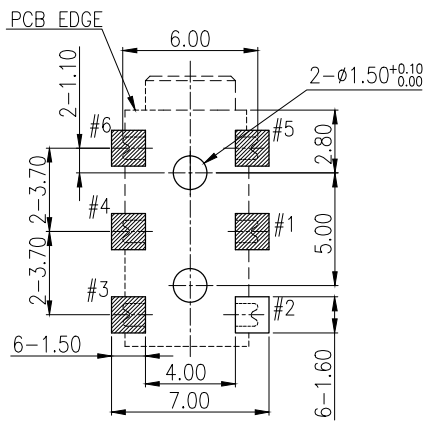


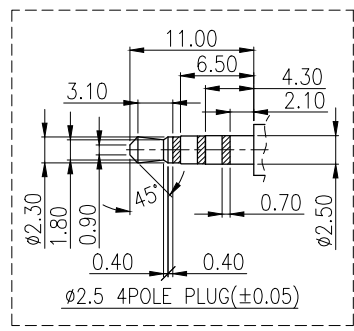
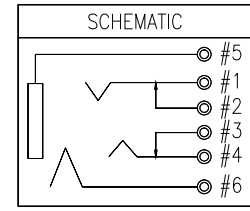
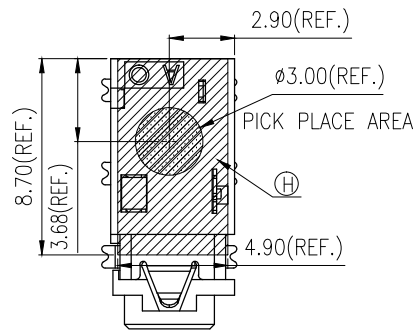
REV.	ECN NO OR DESCRIPTION	REVISED	DATE
A	PRODUCT RELEASE	Ruiming	2019.06.20



- SPECIFICATIONS:
- ELECTRICAL CHARACTERISTICS:
 - RATING: 12V 1A.
 - CONTACT RESISTANCE: 30mΩMAX(INITIAL).
 - DIELECTRIC VOLTAGE WITHSTAND: 500V AC FOR ONE MINUTE.
 - INSULATION RESISTANCE: 100MΩ MIN. MEASURED BY 500V DC.
 - MECHANICAL CHARACTERISTICS:
 - INSERTED FORCE : 3.5 Kgf MAX.
 - WITHDRAWAL FORCE : 0.3~3.0 Kgf.
 - LIFE TEST: 5,000 CYCLES.
 - OTHER GENERAL SPEC. TO REFER "2SJ2428-000331F SPEC."
 - TO CONFORM TO THE SINGATRON HSF SPECIFICATION.
 - HALOGEN FREE PRODUCT IDENTIFICATION MARK:
 - HALOGEN FREE PRODUCT IDENTIFICATION LABEL ON PACKAGING:
 - FOR REFLOW SOLDERING LEAD-FREE PROCESS.
 - PACKAGING : TAPE & REEL.



RECOMMENDED PCB LAYOUT
TOP VIEW (TOLERANCE:±0.05)



H	MYLAR	1	MYLAR T=0.08	N/A
G	RING SPRING B	1	COPPER ALLOY T=0.2	GOLD FLASH ON CONTACT AREA, ALL OVER 60u" MIN. NICKEL UNDER PLATING.
F	EARTH	1	COPPER ALLOY T=0.2	
E	TIP SPRING	1	COPPER ALLOY T=0.15	
D	SHUNT TERMINAL-A	1	COPPER ALLOY T=0.2	
C	SHUNT TERMINAL-B	1	COPPER ALLOY T=0.2	
B	RING SPRING A	1	COPPER ALLOY T=0.2	
A	BODY	1	HIGH TEMP PLASTIC	BLACK
NO.	DESCRIPTION	QTY.	MATERIAL	PLATING & COLOR

UNLESS OTHERWISE SPECIFIED TOLERANCES		Singatron Enterprise Co., Ltd. 信音企業股份有限公司		
DECIMALS:	ANGLES:	TITLE	2.5∅ PHONE JACK	
X :±0.5	X :±2°	DWN	Ruiming-Chen	PART NO:2SJ2428-000331F
X.X :±0.3	X.X :±1°	CHKD	JunKang-Zhang	SCALE 5:1 UNIT: mm
X.XX :±0.2		APVD	Jim-deng	SIZE: A3 SHEET: 10F1 REV:A
CUSTOMER COPY				