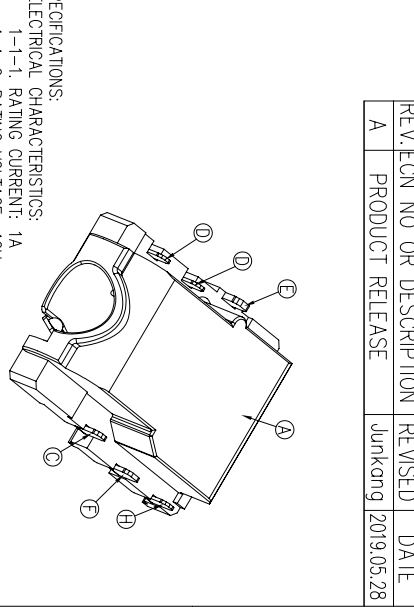
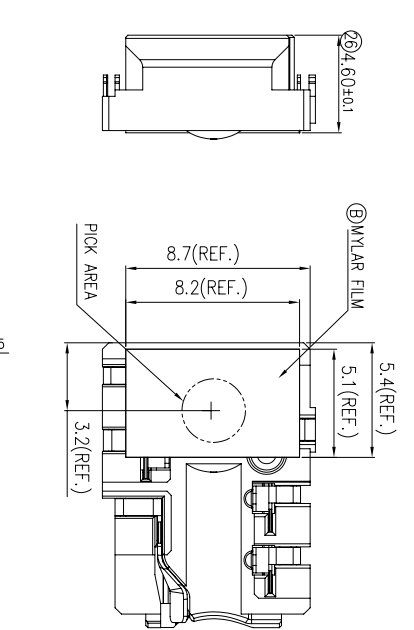
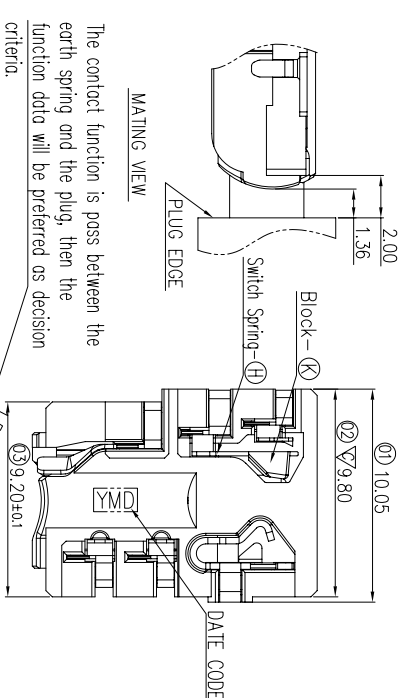
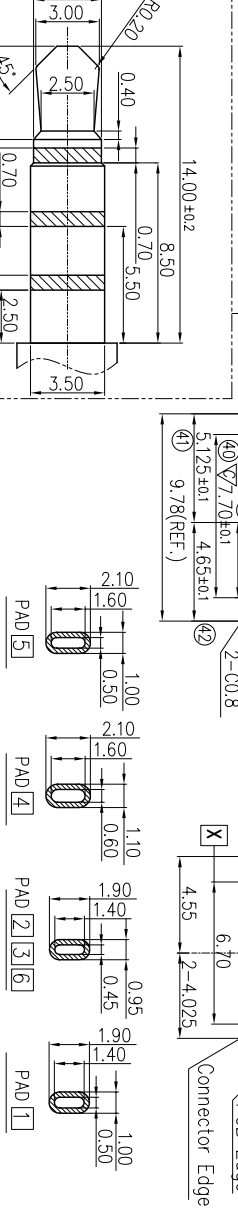
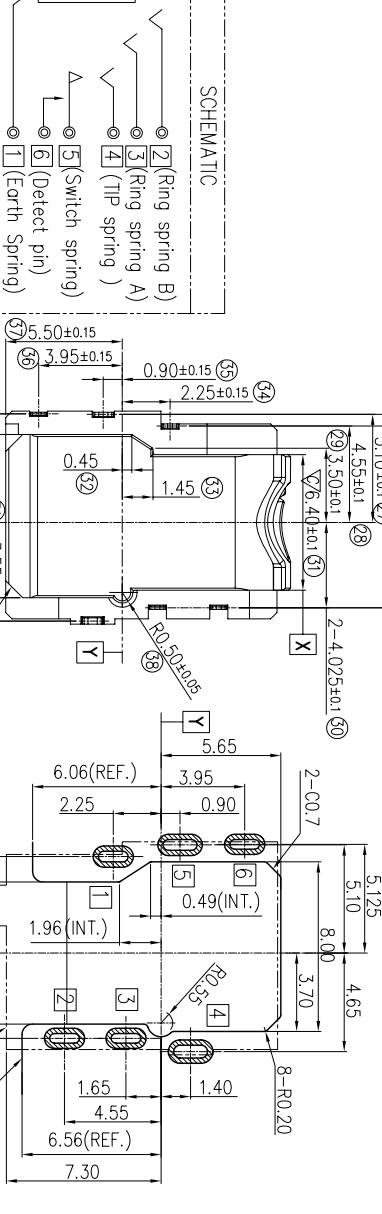
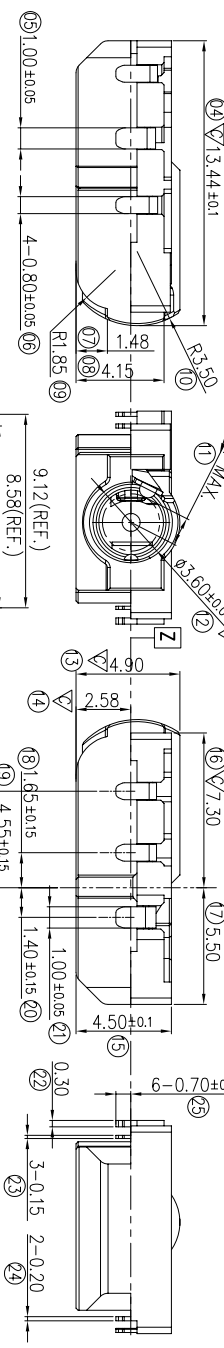


| | | | |
|--------------|-----------------|---------|------------|
| REV. ECN NO. | OR DESCRIPTION | REVISED | DATE |
| A | PRODUCT RELEASE | Junkang | 2019.05.28 |



THE CONTACT FUNCTION IS PASS BETWEEN THE EARTH SPRING AND THE PLUG, THEN THE FUNCTION DATA WILL BE PREFERRED AS DECISION CRITERIA.



RECOMMENDED PCB LAYOUT (TOP VIEW)
TOLERANCE: ±0.05MM

| NO. | DESCRIPTION | QTY. | MATERIAL | PLATING & COLOR |
|-----|-----------------|------|------------------------------------|--|
| A | Housing | 1 | PA-10T+30%GF, UL94 V-0 T=0.10mm | BLACK |
| B | Mylar | 1 | C7025, T=0.20 | N/A |
| C | Earth Spring | 1 | C5210, T=0.15 | 3u" MIN. Au ON CONTACT AREA, ALL OVER 60u" MIN. NICKEL UNDER PLATING |
| D | RING Spring A/B | 1 | SUS301, T=0.30 | NICKEL UNDER PLATING |
| E | TIP Spring | 1 | C5210, T=0.15 | NICKEL UNDER PLATING |
| F | Detect Pin | 1 | C5210, T=0.20 | NICKEL UNDER PLATING |
| G | Insert molding | 1 | PA-10+30%GF (Block-⊗) | ALL OVER 60u" MIN. NICKEL UNDER PLATING |

UNLESS OTHERWISE SPECIFIED TOLERANCES

| | | |
|--------------|-----------|------------------------|
| DECIMALS: | ANGLES: | TITLE |
| X : ±0.3 | X : ±2° | Ø3.5mm AUDIO CONNECTOR |
| XX : ±0.2 | X.X : ±1° | DWN |
| X.XX : ±0.15 | | CHKD |
| X.XXX : ±0.1 | | APVD |

- SPECIFICATIONS:
1. ELECTRICAL CHARACTERISTICS:
- 1-1-1. RATING CURRENT: 1A
 - 1-1-2. RATING VOLTAGE: 12V
 - 1-2. CONTACT RESISTANCE: 30mΩ(INITIAL), 50mΩ(AFTER LIFE TEST)
 - 1-3. DIELECTRIC WITHSTANDING VOLTAGE: 500V AC FOR ONE MINUTE.
 - 1-4. INSULATION RESISTANCE: 100MΩ MIN. BY 500V DC.
2. MECHANICAL CHARACTERISTICS:
- 2-1. INSERTION FORCE: 1.0~2.5KGf (AFTER 5 CYCLE)
 - 2-2. WITHDRAWAL FORCE: 0.6~1.8KGf (AFTER 5 CYCLE)
 - 2-3. LIFE TEST: 10,000 CYCLES
3. ENVIRONMENTAL CHARACTERISTICS:
- 3-1. SALT MIST TEST CONDITION: PER IEC 68-2-52, SEVERITY(3)
 - 3-2. OPERATING TEMPERATURE: -40~+85°C
 - 3-3. TO CONFORM TO SINGAPORE HAZARDOUS SUBSTANCE FREE SPEC.
 - 3-4. ROHS COMPLIANT PRODUCT.
 - 3-5. HALOGEN FREE PRODUCT IDENTIFICATION MARK: ⊙
 - 3-6. HALOGEN FREE PRODUCT IDENTIFICATION LABEL ON PACKAGING: ⊕
4. OTHER GENERAL SPEC. TO REFER "2S12502-000111F SPEC."
5. FOR REFLOW SOLDERING LEAD-FREE PROCESS.
6. CTF NO. MARK: ∇
7. PACKAGING: TAPE & REEL.