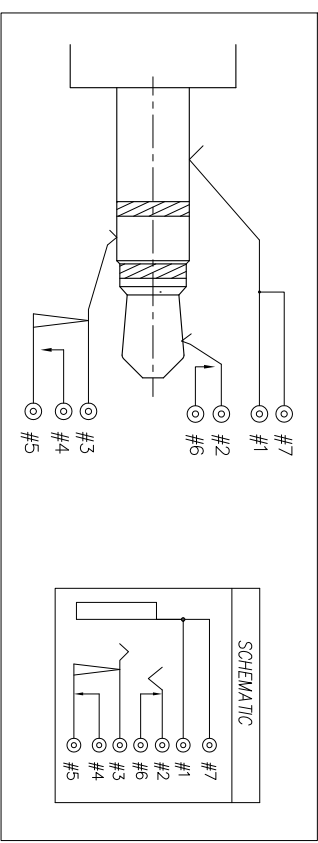


- SPECIFICATIONS:
- ELECTRICAL CHARACTERISTICS:
 - RATING: 12V 1A
 - CONTACT RESISTANCE: 50mΩ MAX.(INITIAL)
 - DIELECTRIC WITHSTANDING VOLTAGE: 500V AC FOR ONE MINUTE.
 - INSULATION RESISTANCE: 100MΩ MIN. MEASURED BY 500 VDC
 - MECHANICAL CHARACTERISTICS:
 - INSERTION FORCE : 0.3~3.0 KGF .
 - WITHDRAWAL FORCE : 0.3~3.0 KGF .
 - LIFE TEST: 5,000 CYCLES.
 - TO CONFORM TO SINGATRON HAZARDOUS SUBSTANCE FREE SPEC.
 - HALOGEN FREE PRODUCT IDENTIFICATION MARK ON JACK:
 - HALOGEN FREE PRODUCT IDENTIFICATION LABEL ON PACKAGING:
 - FOR REFLOW SOLDERING LEAD-FREE PROCESS.
 - IT IS NOT CONTAIN BERYLLIUM SUBSTANCE .
 - PACKAGING TAPE & REEL



| NO | DESCRIPTION | QTY | MATERIAL | PLATING & COLOR |
|----|----------------|-----|-------------------------------------|---|
| A | BODY | 1 | HIGH TEMP.THERMOPLASTIC UL 94V-0 | BLACK |
| B | EARTH | 1 | COPPER ALLOY 0.2t | Ni 60μ" |
| C | RING SPRING | 1 | COPPER ALLOY 0.2t | Solder tail,all over Nickel Plated |
| D | TRANSFER | 1 | COPPER ALLOY 0.2t | Solder flash on contact area and Solder tail,all over Nickel Plated |
| E | B-TERMINAL | 1 | COPPER ALLOY 0.2t | GOLD FLASH |
| F | TIP SPRING | 1 | COPPER ALLOY 0.25t | GOLD FLASH |
| G | SHUNT TERMINAL | 1 | COPPER ALLOY 0.2t | GOLD FLASH |

| DECIMALS: | ANGLES: | TITLE |
|-------------|----------|------------------------|
| X : ±0.5 | X : ±2° | 3.50 PHONE JACK |
| XX : ±0.3 | XX : ±1° | PART NO.2S12820-000111 |
| X:XX : ±0.2 | | SCALE:4:1 UNIT: mm |

| APVD | DATE | SIZE | SHEET | REV. |
|------|---------|------|--------|------|
| Uuo | 13/3/22 | A3 | 1 OF 1 | C |

Singatron Enterprise Co., Ltd.
信譽企業股份有限公司

CUSTOMER COPY

| REV | ECN NO OR DESCRIPTION | REVISED | DATE |
|-----|----------------------------|---------|------------|
| B | ECN:C120166 UPDATE DRAWING | DAOWEN | 2012.05.24 |
| C | ECN:C120384 MODIFY DRAWING | DAOWEN | 2013.1.3 |

