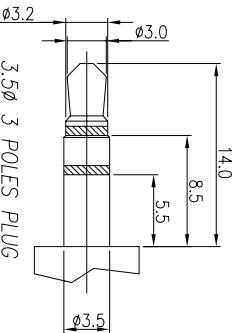
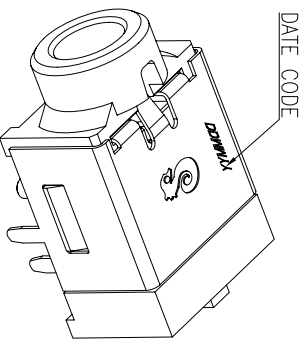
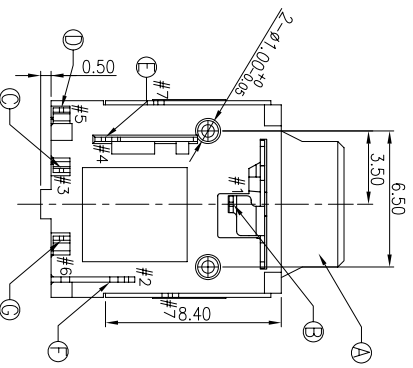
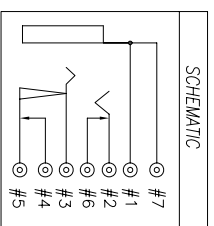
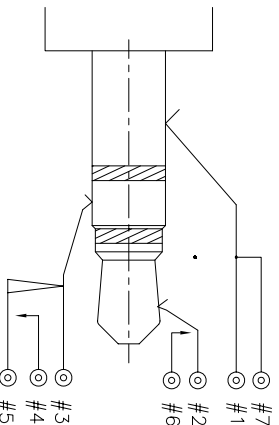
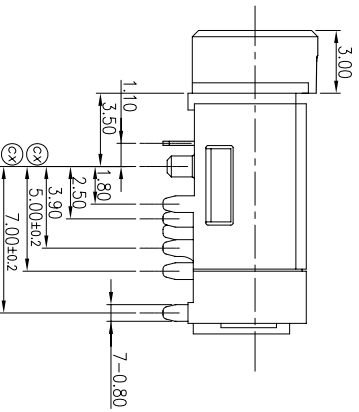
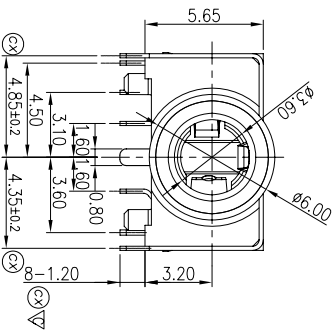


RECOMMEND PCB LAYOUT
TOP VIEW(TOL.±0.05)



REV.	ECN NO OR DESCRIPTION	REVISED	DATE
A	PRODUCED	Released	2011.01.18
B	ECN:C120166 UPDATE DRAWING	Longqiang	2012.05.31

- SPECIFICATIONS:
- ELECTRICAL CHARACTERISTICS:
 - RATING: 12V 1A
 - CONTACT RESISTANCE: 30mΩ MAX.(INITIAL)
 - DIELECTRIC WITHSTANDING VOLTAGE: 500V AC FOR ONE MINUTE.
 - INSULATION RESISTANCE: 100MΩMIN. MEASURED BY 500 VDC
 - MECHANICAL CHARACTERISTICS:
 - INSERTION FORCE : 0.3~3.0 KGF
 - WITHDRAWAL FORCE : 0.3~3.0 KGF
 - LIFE TEST: 5,000 CYCLES MIN.
 - TO CONFORM TO SINGATRON HAZARDOUS SUBSTANCE FREE SPEC.
 - HALOGEN FREE PRODUCT IDENTIFICATION MARK ON PRODUCT: (C)
 - HALOGEN FREE PRODUCT IDENTIFICATION LABEL ON PACKAGING: (C)
 - FOR REFLOW SOLDERING LEAD-FREE PROCESS.
 - (C) REPRESENT CRITICAL DIMENSIONS.
 - (V) REPRESENT CPK DIMENSIONS.
 - PACKAGING TAPE & REEL.

G	SHUNT TERMINAL	1	COPPER ALLOY 0.2T	GOLD FLASH
F	TIP SPRING	1	COPPER ALLOY 0.25T	Gold flash on contact area and Solder tail/all over Nickel Plated
E	B-TERMINAL	1	COPPER ALLOY 0.2T	GOLD FLASH
D	TRANSFER	1	COPPER ALLOY 0.2T	Solder tail/all over Nickel Plated
C	RING SPRING	1	COPPER ALLOY 0.2T	Gold flash on contact area and Solder tail/all over Nickel Plated
B	EARTH	1	COPPER ALLOY 0.2T	Nickel plated
A	BODY	1	HIGH TEMP THERMOPLASTIC	BLAK
NO	DESCRIPTION	QTY	MATERIAL	PLATING & COLOR

UNLESS OTHERWISE SPECIFIED TOLERANCES

DECIMALS: ANGLES:

X : ±0.5 X : ±2°
 X.X : ±0.3 X.X : ±1°
 XXX : ±0.2

TITLE: 3.5Ø AUDIO JACK

Part No. 2SJ2830-002111

Scale 5:1 UNIT: mm

SIZE: A3 SHEET: 1 OF 1 REV: B

CUSTOMER COPY

Singatron Enterprise Co., Ltd.
信音企業股份有限公司