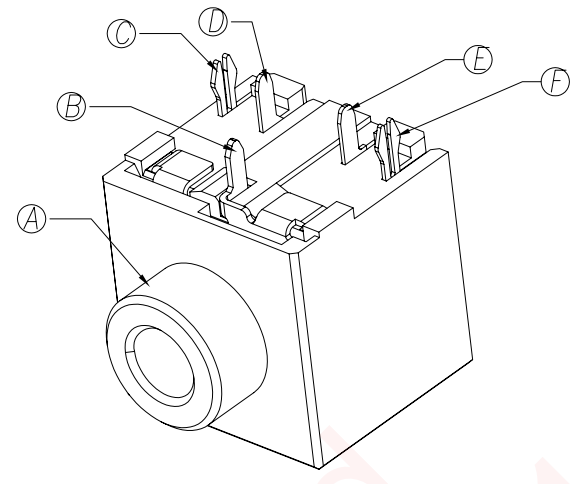
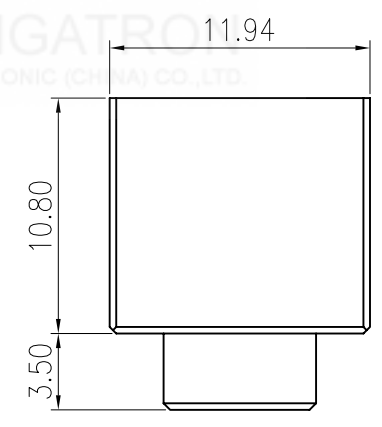
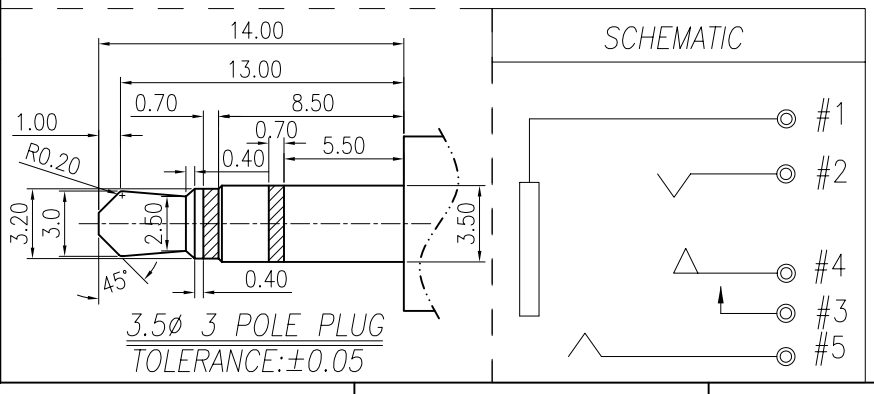
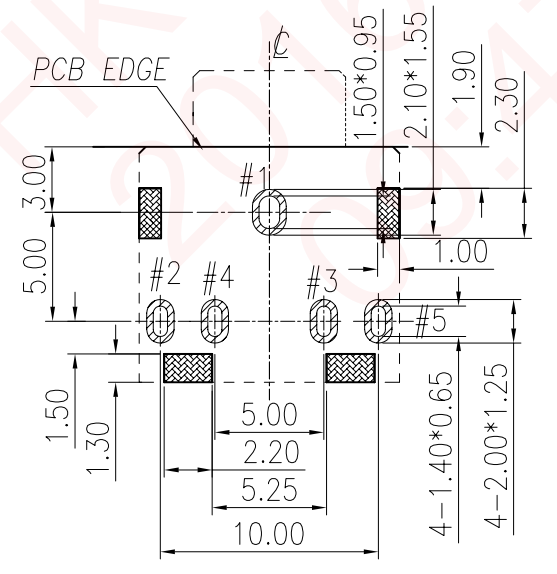
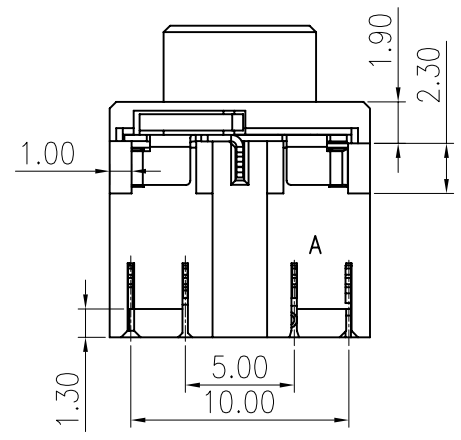
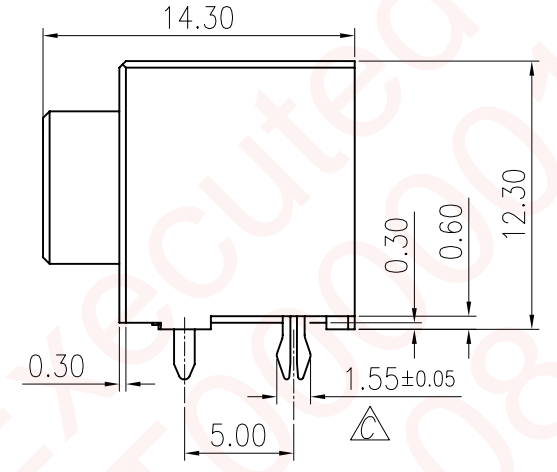
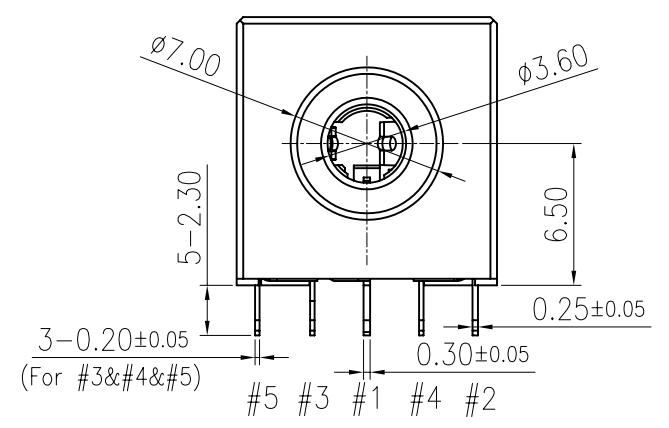




| REV. | ECN NO OR DESCRIPTION | REVISED | DATE |
|------|----------------------------|-----------|------------|
| A | PRODUCT RELEASE | LONGJIANG | 2015.06.26 |
| B | ECN:C150146 Modify drawing | LONGJIANG | 2015.09.07 |
| C | ECN:C160054 MODIFY DRAWING | LONGJIANG | 2016.08.19 |



- ELECTRICAL CHARACTERISTICS:
 - CURRENT RATING: 1A.
 - CONTACT RESISTANCE: 50mΩ MAX.
 - DIELECTRIC WITHSTANDING VOLTAGE: 500V AC FOR ONE MINUTE.
 - INSULATION RESISTANCE: 100MΩ MIN. MEASURED BY 500V DC.
- MECHANICAL CHARACTERISTICS:
 - INSERTION FORCE : 0.4~3.0 KGF(INITIAL) ; 0.3~3.0 KGF(AFTER LIFE TEST)
 - WITHDRAWAL FORCE : 0.4~3.0 KGF(INITIAL) ; 0.3~3.0 KGF(AFTER LIFE TEST)
- LIFE TEST: 1,500 CYCLES.
- OTHER GENERAL SPEC. TO REFER "2SJ2Y64-000111F SPEC".
- TO CONFORM TO THE SINGATRON HAZARDOUS SUBSTANCE FREE SPEC.
- HALOGEN FREE PRODUCT IDENTIFICATION MARK ON JACK:
- HALOGEN FREE PRODUCT IDENTIFICATION LABEL ON PACKAGING:
- FOR WAVE SOLDERING LEAD-FREE PROCESS.
- SOLDERING HEAR RESISTANCE: 260±5°C
- PACKAGING: TRAY.



RECOMMENDED P.C.B. LAYOUT
TOP VIEW (TOLRANCE: ±0.05)

STAND OFF

| F | RING | 1 | COPPER ALLOY 0.2T | GOLD FLASH+25u" Pd/Ni ON CONTACT AREA AND GOLD FLASH ON SOLDER TAIL ALL OVER NICKEL PLATING |
|---------------------------------------|---------------|-----------------------------------------------------|---------------------------------------------------|---------------------------------------------------------------------------------------------|
| E | MAKE TERMINAL | 1 | COPPER ALLOY 0.2T | |
| D | TRANSFER | 1 | COPPER ALLOY 0.2T | |
| C | TIP | 1 | COPPER ALLOY 0.25T | |
| B | EARTH | 1 | COPPER ALLOY 0.3T | |
| A | BODY | 1 | LCP UL 94V-0 | LIME 577C |
| NO | DESCRIPTION | QTY | MATERIAL | PLATING & COLOR |
| UNLESS OTHERWISE SPECIFIED TOLERANCES | | | Singatron Enterprise Co., Ltd. 信音企業股份有限公司 | |
| DECIMALS: X :±0.5 | | TITLE AUDIO JACK | | |
| ANGLES: X.X :±0.3 | | DWN Longjiang-Cao 16/08/22 PART NO. 2SJ2Y64-000111F | | |
| X.XX :±0.2 | | CHKD Justin-Kuo 16/08/22 SCALE 1:1 UNIT: mm | | |
| | | | APVD Max-Moi 16/08/22 SIZE: A3 SHEET: 10F1 REV: C | |
| CUSTOMER COPY | | | | |