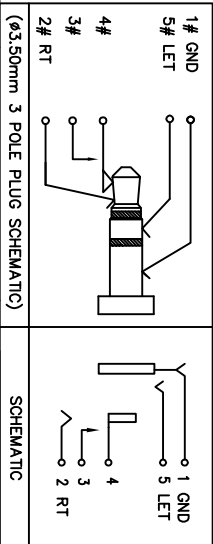
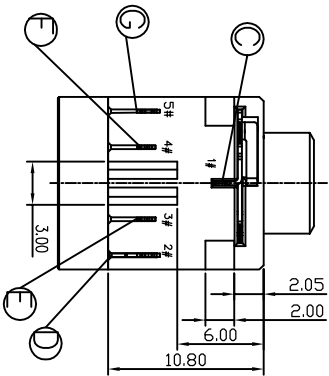
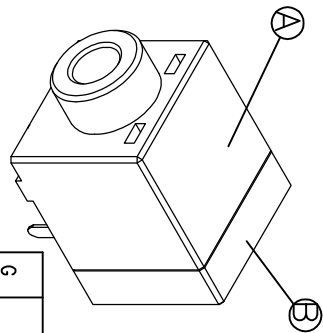
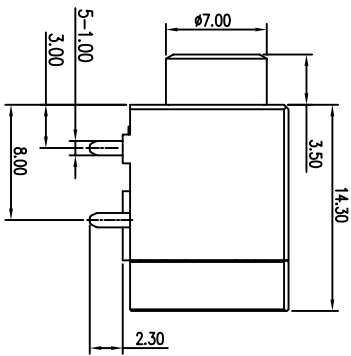
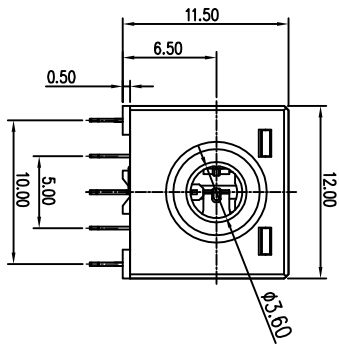


RECOMMENDED PCB LAYOUT(TOP VIEW)  
THICKNESS 1.6±0.05mm;DEFAULT TOLERANCE:±0.05

1. ELECTRICAL CHARACTERISTICS:
  - 1-1. CURRENT RATING: 1AMPERE PER CONTACT.
  - 1-2. CONTACT RESISTANCE: 50mΩ MAX.
  - 1-3. DIELECTRIC WITHSTANDING VOLTAGE: 500V AC FOR ONE MINUTE.
  - 1-4. INSULATION RESISTANCE: 100M MIN. MEASURED BY 500 VDC.
2. MECHANICAL CHARACTERISTICS:
  - 2-1. INSERTION FORCE : 0.4~3.0 KGf(INITIAL) ; 0.3~3.0 KGf(AFTER LIFE)
  - 2-2. WITHDRAWAL FORCE : 0.4~3.0 KGf(INITIAL) ; 0.3~3.0 KGf(AFTER LIFE)
3. LIFE TEST: 1500 CYCLES.
4. OTHER GENERAL SPEC: TO REFER "2S2J2Y70-000111F SPEC".
5. FOR IR REFLOW ROFILE:PEAK TEMPERATURE:260°C MAX.10SECS.
6. PACKAGING: TAPE & REEL.
7. TO CONFORM TO SINGATRON HAZARDOUS SUBSTANCE FREE SPEC.
- 8.HALOGEN FREE PRODUCT IDENTIFICATION LABEL ON PACKAGING.



NO	DESCRIPTION	QTY	MATERIAL	PLATING & COLOR
G	TERMINAL 5#	1	PHOSPHOR BRONZE	GOLD FLASH Au ON CONTACT AREA 50" ON SOLDER TAIL
F	TERMINAL 4#	1	PHOSPHOR BRONZE	50" MIN NICKEL ALL OVER
E	TERMINAL 3#	1	PHOSPHOR BRONZE	GOLD FLASH ON CONTACT AREA AND ON SOLDER AREA
D	TERMINAL 2#	1	PHOSPHOR BRONZE	50" MIN NICKEL ALL OVER
C	TERMINAL 1#	1	PHOSPHOR BRONZE	GOLD FLASH ON CONTACT AREA 50" ON SOLDER TAIL
B	COVER	1	HIGH TEMP. THERMOPLASTIC UL94V-0	50" MIN NICKEL ALL OVER
A	HOUSING	1	HIGH TEMP. THERMOPLASTIC UL94V-0	LIME(577C)

Singatron Enterprise Co., Ltd.  
信亨企業股份有限公司

TITLE	DECIMALS:	ANGLES:	SCALE	UNIT:	SHEET:	REV:
Ø3.5 PHONE JACK DIP 90°	Ye wei	±0.5 X ±2'	1:1	mm	10F1	A
PART NO.2S2J2Y70-000111F	jim-deng	±0.3 X.X ±1'				
APVD	jim-deng	±0.2	A3			