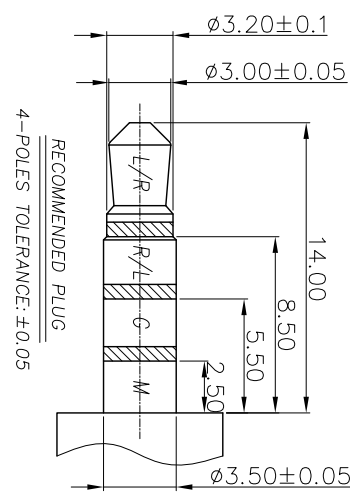
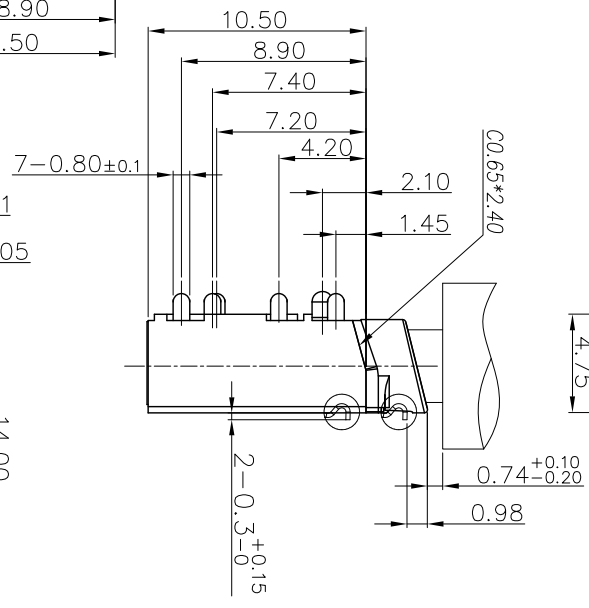
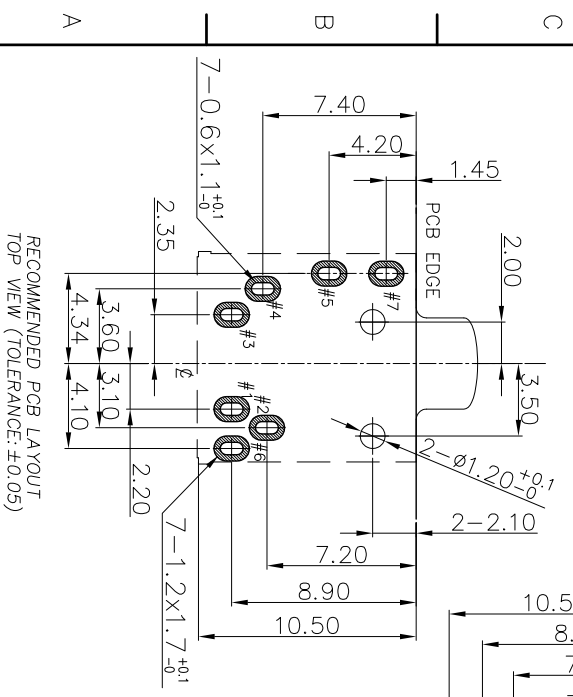


DATE CODE:

- SPECIFICATIONS:
- ELECTRICAL CHARACTERISTICS:
    - RATING: 12V 1A
    - CONTACT RESISTANCE: 30mΩ MAX (INITIAL)
    - DIELECTRIC WITHSTANDING VOLTAGE: 500V AC FOR ONE MINUTE.
    - INSULATION RESISTANCE: 100MΩ MIN. MEASURED BY 500V DC
  - MECHANICAL CHARACTERISTICS:
    - INSERTION FORCE : 0.3~3.0 KGf
    - WITHDRAWAL FORCE : 0.3~3.0 KGf
    - LIFE TEST: 5,000 CYCLES MIN.
    - OTHER GENERAL SPEC.: TO REFER "2SJ3005 SERIES SPEC".
    - TO CONFORM TO SINGATRON HAZARDOUS SUBSTANCE FREE SPEC.
    - HALOGEN FREE PRODUCT IDENTIFICATION MARK ON PRODUCT:
    - HALOGEN FREE PRODUCT IDENTIFICATION LOGO ON PACKAGING:
    - FOR REFLOW SOLDERING LEAD-FREE PROCESS.



NO	DESCRIPTION	QTY	MATERIAL	PLATING & COLOR
I	MYLAR	1	KAPTON 0.06t	YELLOW
H	RING SPRING-B	2	C5210 0.2T	
G	TRANSFER TERMINAL	1	C5210 0.2T	
F	BREAK TERMINAL	1	C2680 0.2T	GOLD FLASH ON CONTACT AREA. GOLD FLASH ON SOLDER AREA. ALL OVER IN 50μ"
E	RING SPRING-A	1	C5210 0.2T	
D	SHUNT TERMINAL-A	1	C2680 0.25T	
C	TIP SPRING	1	C5210 0.25T	
B	SEPARATOR	1	PA10+30%GF UL 94V-0	BLACK
A	BODY	1	PA-4T+30%GF UL 94V-0	BLACK
NO	DESCRIPTION	QTY	MATERIAL	PLATING & COLOR

UNLESS OTHERWISE SPECIFIED TOLERANCES

DECIMALS: ANGLES:

X : ±0.5 X : ±.2°  
 X.X : ±0.3 X.X : ±.1°  
 X.XX : ±0.2 X.XX : ±.02

Singatron Enterprise Co., Ltd.  
 信登企業股份有限公司

TITLE: 3.5Φ PHONE JACK

DWN: ANDY PART NO. 2SJ3005-032111F  
 CHKD: CERRY SCALE: 4:1 UNIT: mm  
 APVD: LIAO SIZE: A3 SHEET: 1 OF 1 REV: C

CUSTOMER COPY

REV.	ECN NO.	OR DESCRIPTION	REVISED	DATE
A	PDR NO.	T131108-4A	Kevin	2014.02.28
B	ECN NO.	S140503	ANDY	2014.09.15
C	ECN NO.	S141042	ANDY	2014.11.18