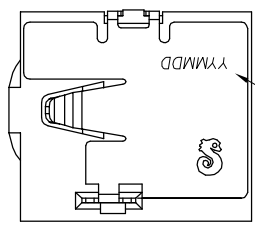
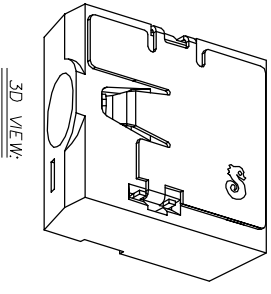


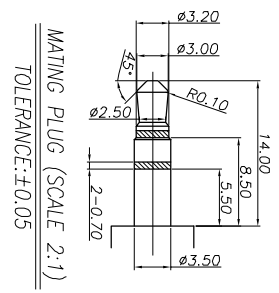
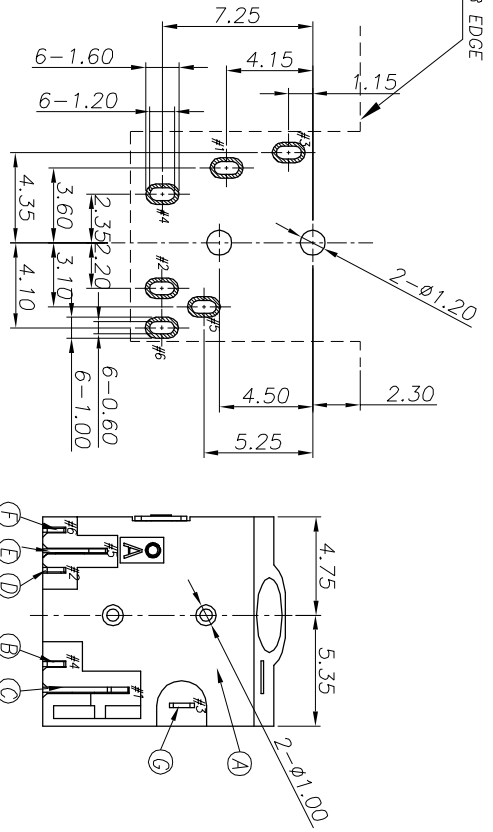
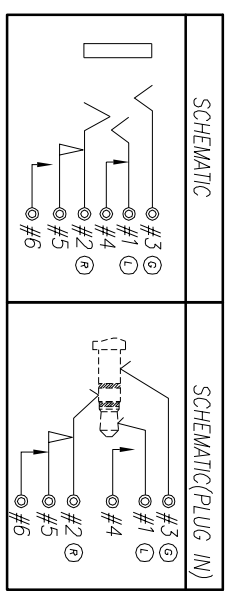
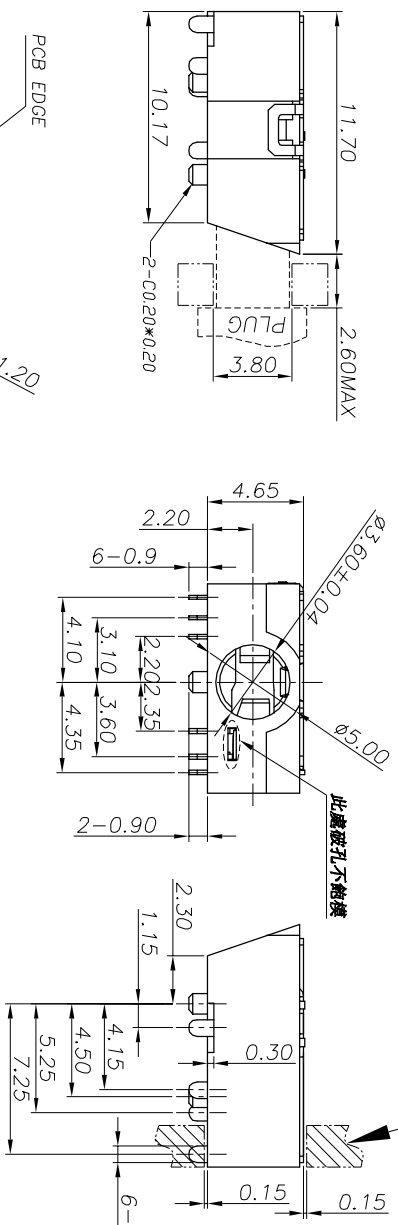
REV. EGN NO OR DESCRIPTION	REVISED	DATE
A PDR NO: TT50811-6A	Ming	2016.08.11

DATE CODE



SPECIFICATIONS:

- ELECTRICAL CHARACTERISTICS:
 - RATING: 12V 1A
 - CONTACT RESISTANCE: 30mΩ MAX (INITIAL)
 - DIELECTRIC WITHSTANDING VOLTAGE: 500V AC FOR ONE MINUTE
 - INSULATION RESISTANCE: 100MΩ MIN. MEASURED BY 500V DC
- MECHANICAL CHARACTERISTICS:
 - INSERTION FORCE : 0.3~3.0 KGf
 - WITHDRAWAL FORCE : 0.3~3.0 KGf
- LIFE TEST: 5,000 CYCLES MIN.
- OTHER GENERAL SPEC. TO REFER "2SJ3005 SERIES SPEC".
- TO CONFORM TO SINGATRON HAZARDOUS SUBSTANCE FREE SPEC.
- HALOGEN FREE PRODUCT IDENTIFICATION MARK ON JACK:
- HALOGEN FREE PRODUCT IDENTIFICATION LABEL ON PACKAGING:
- FOR REFLOW SOLDERING LEAD-FREE PROCESS.



RECOMMENDED PCB LAYOUT
TOP VIEW (TOLERANCE: ±0.05)

G	SHELL	1	PHOSPHOR BRONZE 0.2t	MATE Sn 120μ ON SOLDER AREA OVER IN 50μ MIN.
F	BREAK TERMINAL	1	PHOSPHOR BRONZE 0.2t	COLD FLASH ON CONTACT AREA
E	TRANSFER TERMINAL	1	PHOSPHOR BRONZE 0.2t	MATE Sn 120μ ON SOLDER AREA
D	RING SPRING	1	PHOSPHOR BRONZE 0.2t	ALL OVER IN 50μ MIN.
C	TIP SPRING	1	PHOSPHOR BRONZE 0.25t	COLD FLASH OVER IN 50μ MIN.
B	SHUNT TERMINAL-A	1	PHOSPHOR BRONZE 0.25t	
A	BODY	1	PA4T+30%GF TX1 UL 94V-0	BLACK
NO DESCRIPTION		QTY	MATERIAL	PLATING & COLOR
UNLESS OTHERWISE SPECIFIED TOLERANCES		Singatron Enterprise Co., Ltd. 信登企業股份有限公司		
DECIMALS:	ANGLES:	TITLE		
X : ±0.5	X : ±2°	3.5Ø PHONE JACK		
X.X : ±0.3	X.X : ±1°	DWN	Ming	PART NO. 2SJ3005-041111F
X.XX : ±0.2		CHKD	Bruce	SCALE: 4:1
		APVD	Lussen	SIZE: A3
				SHEET: 1 OF 1
				REV: A
CUSTOMER COPY				