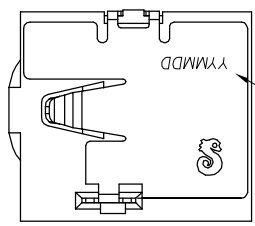
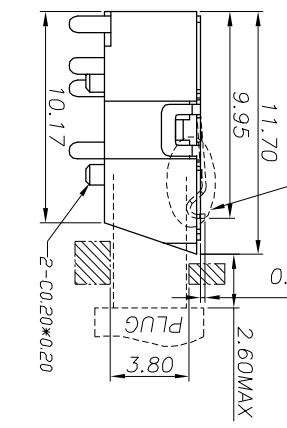
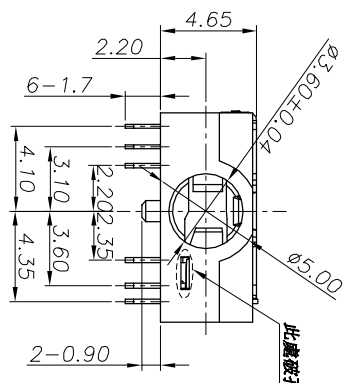


3D VIEW

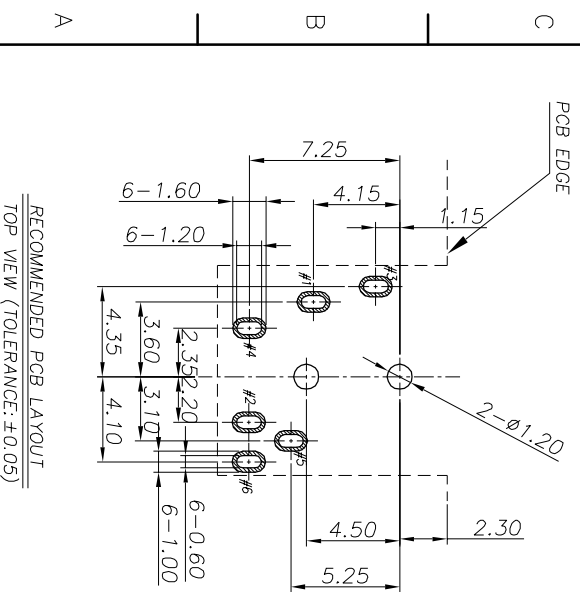
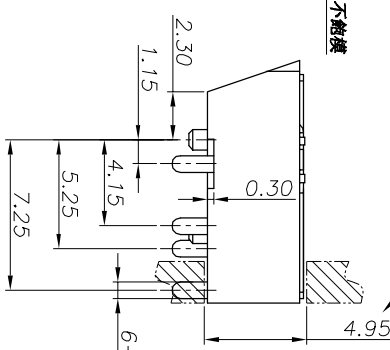
MATCH MECHANISM ID NEEDS TO AVOID INTERFERENCE WITH TERMINAL AFTER PLUG IN.



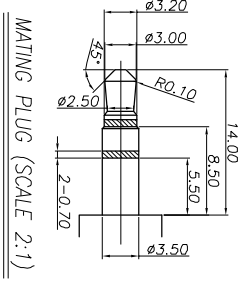
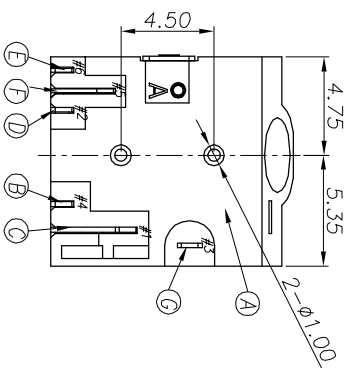
DATE CODE



RECOMMENDED LOADING TEST PANEL'S ID



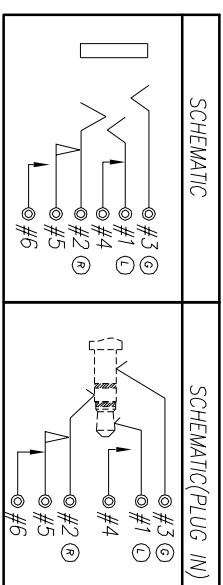
RECOMMENDED PCB LAYOUT TOP VIEW (TOLERANCE: ±0.05)



MATING PLUG (SCALE 2:1)

SPECIFICATIONS:

- ELECTRICAL CHARACTERISTICS:
  - RATING: 12V 1A
  - CONTACT RESISTANCE: 30mΩ MAX (INITIAL)
  - DIELECTRIC WITHSTANDING VOLTAGE: 500V AC FOR ONE MINUTE
  - INSULATION RESISTANCE: 100MΩ MIN. MEASURED BY 500V DC
- MECHANICAL CHARACTERISTICS:
  - INSERTION FORCE : 0.3~3.0 KGf
  - WITHDRAWAL FORCE : 0.3~3.0 KGf
- LIFE TEST: 5,000 CYCLES MIN.
- OTHER GENERAL SPEC. TO REFER "2SJ3005 SERIES SPEC".
- TO CONFORM TO SINGATRON HAZARDOUS SUBSTANCE FREE SPEC.
- HALOGEN FREE PRODUCT IDENTIFICATION MARK ON JACK:
- HALOGEN FREE PRODUCT IDENTIFICATION LABEL ON PACKAGING:
- FOR REFLOW SOLDERING LEAD-FREE PROCESS.



G	SHELL	1	PHOSPHOR BRONZE 0.2t	MATE S1 120V ON SOLDER AREA OVER IN 50U" MIN.
F	TRANSFER TERMINAL	1	PHOSPHOR BRONZE 0.2t	GOLD FLASH ON CONTACT AREA 120V 50 MIN ON SOLDER AREA ALL OVER IN 50U" MIN.
E	BREAK TERMINAL	1	PHOSPHOR BRONZE 0.2t	GOLD FLASH ON CONTACT AREA MATE S1 120V ON SOLDER AREA ALL OVER IN 50U" MIN.
D	RING SPRING	1	PHOSPHOR BRONZE 0.2t	ALL OVER IN 50U" MIN.
C	TIP SPRING	1	PHOSPHOR BRONZE 0.25t	GOLD FLASH OVER IN 50U" MIN.
B	SHUNT TERMINAL-A	1	BRASS 0.25t	
A	BODY	1	PART+30%GF TX1 UL 94V-0	BLACK
NO	DESCRIPTION	QTY	MATERIAL	PLATING & COLOR
UNLESS OTHERWISE SPECIFIED TOLERANCES				
DECIMALS: ANGLES:				
X	:±0.5	X	:±2°	
X.X	:±0.3	X.X	:±1°	
X.XX	:±0.2			
TITLE: 3.5Ø PHONE JACK				
DWN	Ming	PART NO.	2SJ3005-045111F	
CHKD	Bruce	SCALE:4:1	UNIT: mm	
APVD	Lussen	SIZE: A3	SHEET: 1 OF 1	REV: A
CUSTOMER COPY				

Singatron Enterprise Co., Ltd.  
信登企業股份有限公司

REV	ECN NO	OR DESCRIPTION	REVISED	DATE
A	PDR NO.	T160526-8A	Ming	2017.01.12