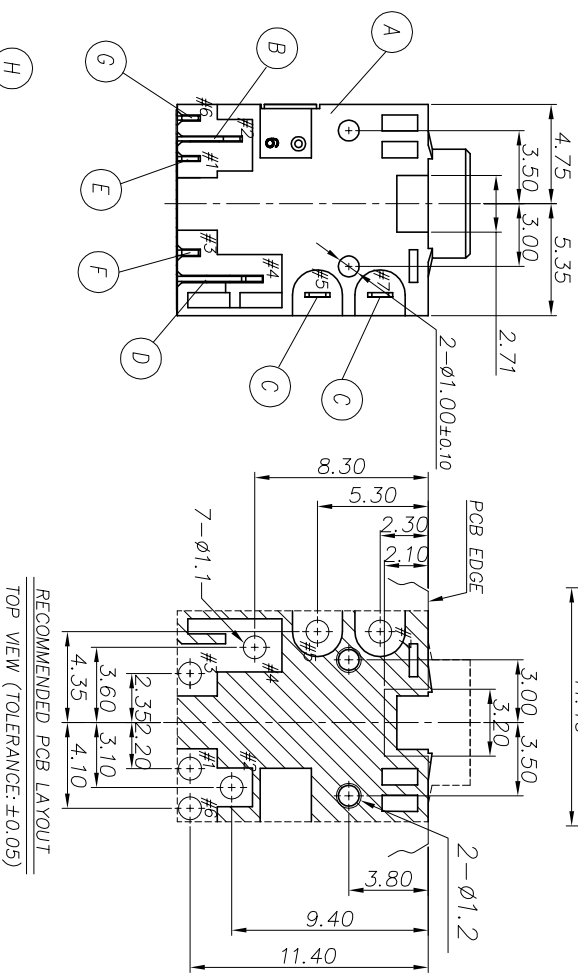
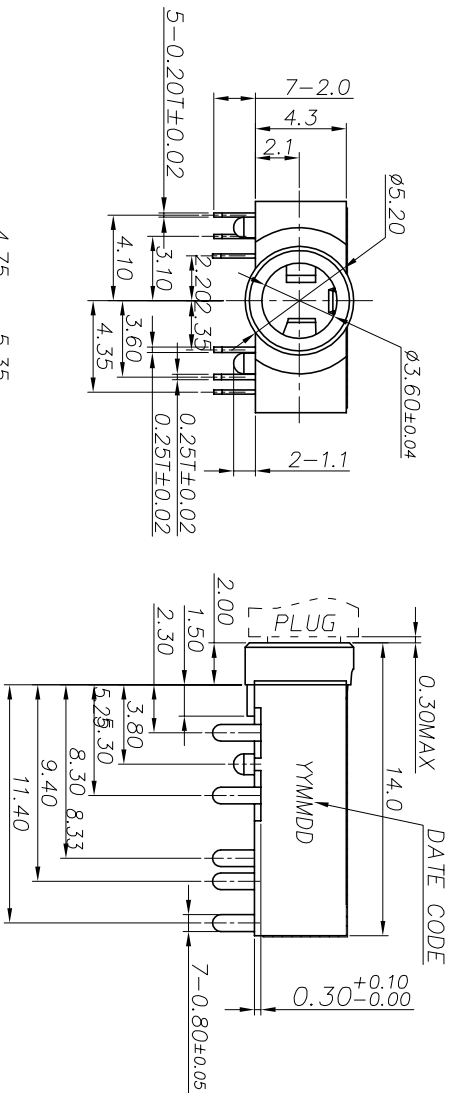
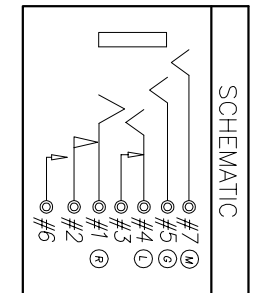
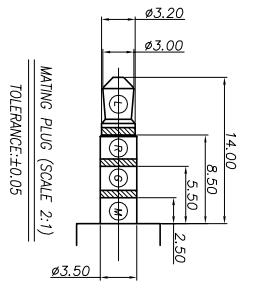
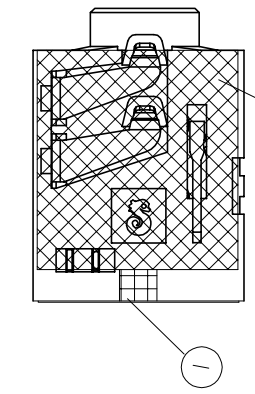


REV. A	EEN NO	OR DESCRIPTION	REVISED	DATE
	PDR NO.: T130805-8A		Owen	2013.12.12



RECOMMENDED PCB LAYOUT  
TOP VIEW (TOLERANCE: ±0.05)



- SPECIFICATIONS:
- ELECTRICAL CHARACTERISTICS:
    - RATING: 12V 1A
    - CONTACT RESISTANCE:  $30m\Omega$  MAX. (INITIAL)
    - DIELECTRIC WITHSTANDING VOLTAGE: 500V AC FOR ONE MINUTE
    - INSULATION RESISTANCE:  $100M\Omega$  MIN. MEASURED BY 500 VDC
  - MECHANICAL CHARACTERISTICS:
    - INSERTION FORCE : 0.3~3.0 KGF
    - WITHDRAWAL FORCE : 0.3~3.0 KGF
    - LIFE TEST: 5,000 CYCLES MIN.
    - OTHER GENERAL SPEC. TO REFER "2SJ3005 SERIES SPEC".
    - TO CONFORM TO SINGATRON HAZARDOUS SUBSTANCE FREE SPEC.
    - HALOGEN FREE PRODUCT IDENTIFICATION MARK ON JACK:
    - HALOGEN FREE PRODUCT IDENTIFICATION LABEL ON PACKAGING:
    - FOR REFLOW SOLDERING LEAD-FREE PROCESS.

1	MYLAR	1	0.06T	YELLOW
H	MYLAR	1	0.06T	YELLOW <small>T0207 Make S1 ON SOLDER AREA.</small>
G	BREAK TERMINAL	1	PHOSPHOR BRONZE 0.2t	<small>T0207 Make S1 ON SOLDER AREA. ALL OVER IN 50V.*</small>
F	SHUNT TERMINAL-A	1	BRASS 0.25t	<small>T0207 Make S1 ON SOLDER AREA.</small>
E	RING SPRING	1	PHOSPHOR BRONZE 0.2t	<small>T0207 Make S1 ON SOLDER AREA. ALL OVER IN 50V.*</small>
D	TIP SPRING	1	PHOSPHOR BRONZE 0.25t	<small>T0207 Make S1 ON SOLDER AREA. ALL OVER IN 50V.*</small>
C	EARTH	1	PHOSPHOR BRONZE 0.2t	<small>T0207 Make S1 ON SOLDER AREA. ALL OVER IN 50V.*</small>
B	TRANSFER TERMINAL	1	PHOSPHOR BRONZE 0.2t	<small>T0207 Make S1 ON SOLDER AREA. ALL OVER IN 50V.*</small>
A	BODY	1	HIGH TEMP.UL 94V-0	BLACK 7C
NO	DESCRIPTION	QTY	MATERIAL	PLATING & COLOR
UNLESS OTHERWISE SPECIFIED TOLERANCES				
Singatron Enterprise Co., Ltd. 信音企業股份有限公司				
DECIMALS: ANGLES: X : ±0.5 X : ±2" X.X : ±0.3 X.X : ±1" X.XX : ±0.2				
TITLE: <b>3.5φ PHONE JACK</b> DWN: Owen PART NO. <b>2SJ3005-105211F</b> CHKD: Bruce SCALE: 4:1 UNIT: mm APVD: Lussen SIZE: A3 SHEET: 1 OF 1 REV: A <b>CUSTOMER COPY</b>				