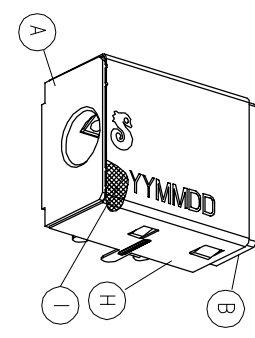
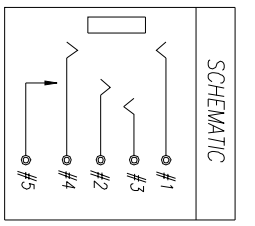
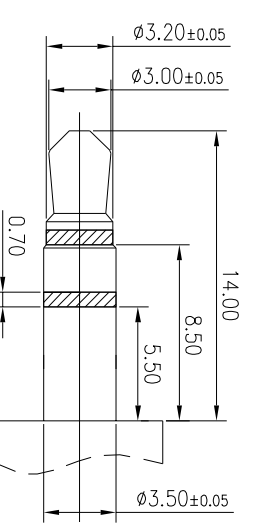
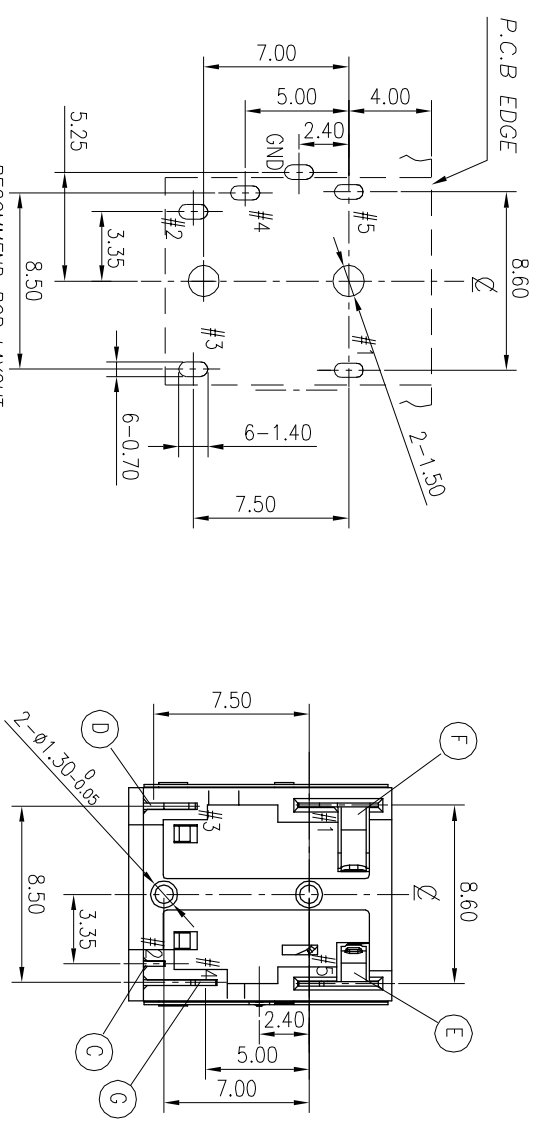


- SPECIFICATIONS:
- ELECTRICAL CHARACTERISTICS:
    - RATING: 12V 1A
    - CONTACT RESISTANCE: 30mΩMAX(INITIAL).
    - DIELECTRIC VOLTAGE WITHSTAND: 500V AC FOR ONE MINUTE
    - INSULATION RESISTANCE: 100MΩMIN. MEASURED BY 500 VDC
  - MECHANICAL CHARACTERISTICS:
    - INSERTED FORCE : 0.4~3.0 KG (INITIAL)
    - WITHDRAWAL FORCE : 0.4~3.0 KG (INITIAL)
    - LIFE TEST: 5,000 CYCLES MIN.
    - PACKAGING: TAPE & REEL
  - TO CONFORM TO SINGATRON HAZARDOUS SUBSTANCE FREE SPECIFICATION.
  - OTHER GENERAL SPEC TO REFER "2SJ3006-009311F SPEC."
  - HALOGEN FREE PRODUCT IDENTIFICATION MARK ON PRODUCT: ©
  - HALOGEN FREE PRODUCT IDENTIFICATION LOGO ON PACKAGING:
  - FOR WAVE SOLDERING LEAD-FREE PROCESS.

REV.	ECN NO OR DESCRIPTION	REVISED	DATE
A	PDR NO:T110811-6A	Owen	2012.03.22
B	ECN NO:S141067	ANDY	2014.11.26
C	ECN NO:S141123	ANDY	2014.12.09
D	ECN NO:S170957-R	XINZHI	2017.12.04



I	MYLAR	1	MYLAR 0.0601	YELLOW
H	SHIELDING	1	STAINLESS STEEL .012T	ALL OVER 80µin NICKEL PLATING
G	EARTH SPRING-A	1	PHOSPHOR BRONZE,0.25T	
F	EARTH SPRING-B	1	PHOSPHOR BRONZE,0.20T	GOLD FLUSH ON CONTACT AND SOLDER TAIL AREA
E	EARTH SPRING	1	PHOSPHOR BRONZE,0.20T	ALL OVER 50µin NICKEL PLATING
D	TIP SPRING	1	PHOSPHOR BRONZE,0.25T	
C	RING SPRING	1		
B	CASE	1	LCP+30%GF (無鹵)	BLACK
A	BODY	1	UL 94V-0	
NO	DESCRIPTION	QTY	MATERIAL	PLATING & COLOR
Singatron Enterprise Co., Ltd. 信晉企業股份有限公司				
UNLESS OTHERWISE SPECIFIED TOLERANCES				
DECIMALS: ANGLES:				
X	:±0.5	X	:±2°	
XX	:±0.3	XX	:±1°	
XXX	:±0.2	XXX	:±1'	
TITLE: Ø3.5 PHONE JACK				
DWN	XINZHI	PART NO.	2SJ3006-009311F	
CHKD	Bruce	SCALE	4:1	UNIT: mm
APVD	Lussen	SIZE:	A3	SHEET:1 OF 1 REV:D
CUSTOMER COPY				