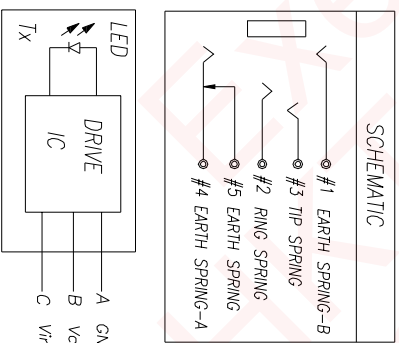
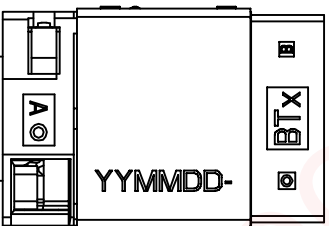
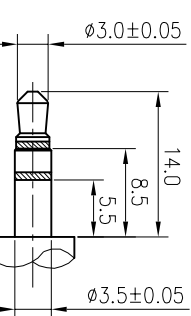
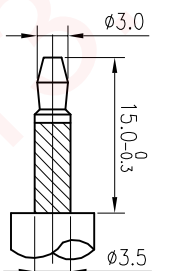


RECOMMEND PCB LAYOUT
TOP VIEW (TOLERANCE: ±0.05)



- SPECIFICATIONS:
- ELECTRICAL CHARACTERISTICS:
 - RATING: 12V 1A
 - CONTACT RESISTANCE: 30mΩMAX(INITIAL).
 - DIELECTRIC VOLTAGE WITHSTAND: 500V AC FOR ONE MINUTE
 - INSULATION RESISTANCE: 100MΩMIN. MEASURED BY 500V DC
 - MECHANICAL CHARACTERISTICS:
 - INSERTED FORCE : 0.4~3.0 KG (INITIAL)
 - WITHDRAWAL FORCE : 0.4~3.0 KG (INITIAL)
 - RETENTION FORCE OF EARTH SPRING : 0.3 KG Min.
 - LIFE TEST: 5,000 CYCLES MIN.
 - PACKAGING: TAPE & REEL
 - TO CONFORM TO SINGATRON HAZARDOUS SUBSTANCE FREE SPEC.
 - HALOGEN FREE PRODUCT IDENTIFICATION MARK ON PRODUCT: ©
 - HALOGEN FREE PRODUCT IDENTIFICATION LOGO ON THE PACKAGING: ©
 - FOR REFLOW SOLDERING LEAD-FREE PROCESS.
 - DATE CODE:YYMMDD(YEAR MM-MONTH DD-DAY).
 - OVERLOAD FORCE:4kgf



OPTICAL FIBRE PLUG

Ø3.5 3 POLE STANDARD PLUG
RECOMMEND MATING PLUG

I	IC DRIVE	1	EPPOXY	MATE Sn 100u"
H	SHIELDING	1	STAINLESS STEEL 0.12T	Ni 60u"
G	EARTH SPRING-A	1	PHOSPHOR BRONZE 0.25T	
F	EARTH SPRING-B	1	PHOSPHOR BRONZE 0.20T	
E	EARTH SPRING	1	BRASS 0.20T	
D	TIP SPRING	1	PHOSPHOR BRONZE 0.25T	GOLD FLASH OVER Ni 60u"
C	RING SPRING	1	PHOSPHOR BRONZE 0.25T	
B	CASE	1	LCP E130+30%GF UL 94V-0	BLACK
A	BODY	1	LCP E130+30%GF UL 94V-0	BLACK
NO	DESCRIPTION	QTY	MATERIAL	PLATING & COLOR

UNLESS OTHERWISE SPECIFIED TOLERANCES

DECIMALS:	ANGLES:
X :±0.5	X :±2°
X.X :±0.3	X.X :±1°
X.XX :±0.2	

Singatron Enterprise Co., Ltd.
信音企業股份有限公司

TITLE: Ø3.5 PHONE JACK (WITH IC)
DW: MARS
CHKD: Bruce
APVD: Lussen

PART NO.2S13006-021311F
SCALE 4:1
SIZE: A3
SHEET: 1 OF 1
REV: A

CUSTOMER COPY

REV	ECN NO	OR DESCRIPTION	REVISED	DATE
A	PDR NO:TT150428-1A		MARS	2015.10.28