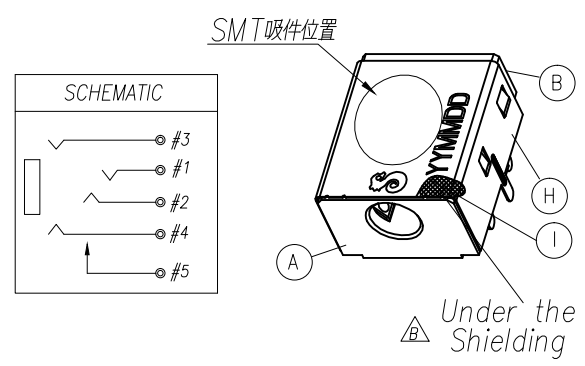
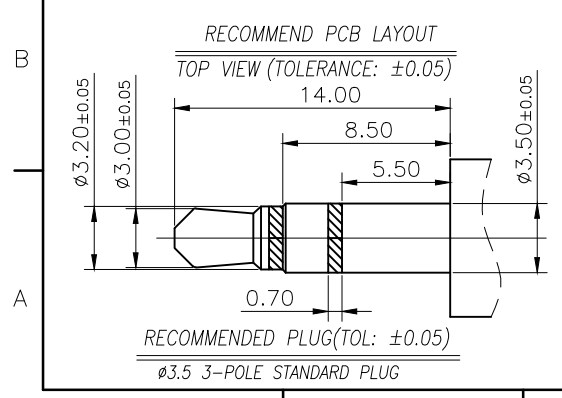
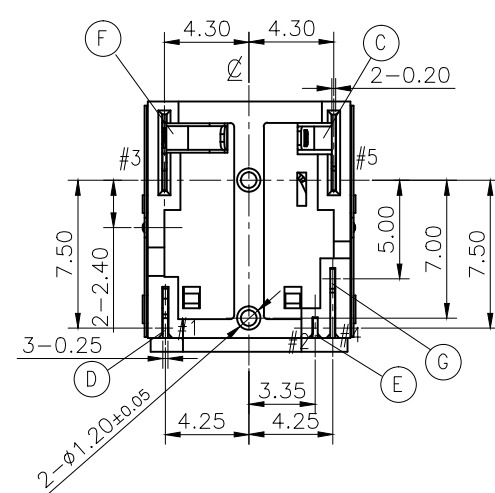
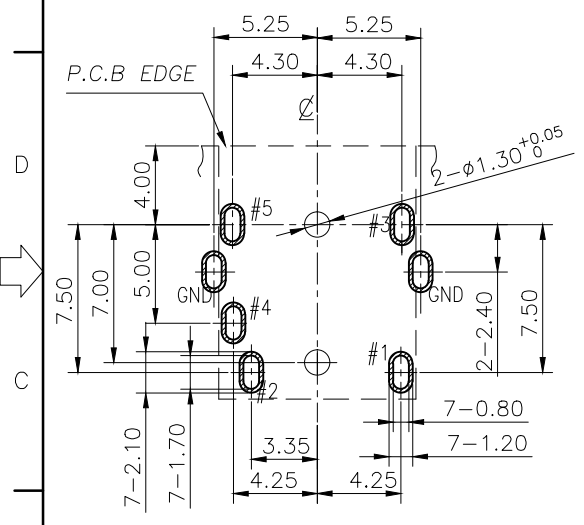
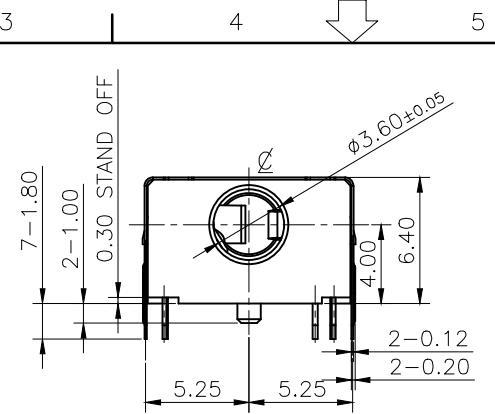
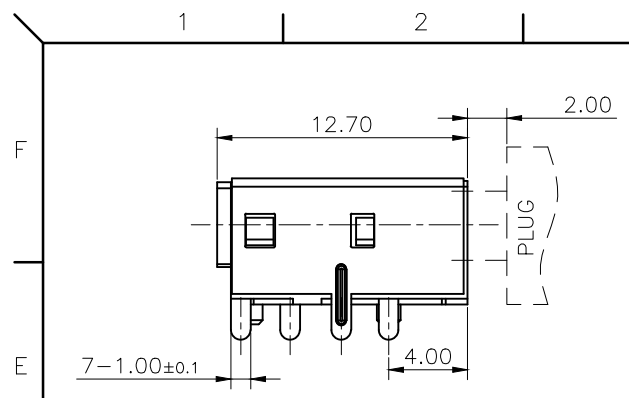


REV.	ECN NO OR DESCRIPTION	REVISED	DATE
A	PDR NO.T170804-3A	Peng	2018.03.13
B	ECN NO.S180418-C	Xinzhi	2018.07.05



- SPECIFICATIONS:**
- INSULATION RESISTANCE BETWEEN ANY ADJACENT OPEN CIRCUIT TERMINAL SHELL NOT BE LESS THAN 100MΩ MEASURED BY 500 VDC.
 - CONTACT RESISTANCE: 50mΩ MAX.
 - INSULATION VOLTAGE WITHSTAND: 500V AC FOR ONE MINUTE.
 - LIFE TEST: 2,000 CYCLES.
 - INITIAL:
 - INSERTION FORCE: 0.8 - 3.0Kgf.
 - WITHDRAWAL FORCE: 0.6 - 1.8Kgf.
 - AFTER 2000 TIMES
 - INSERTION FORCE: 2.5Kgf Max.
 - WITHDRAWAL FORCE: 0.5Kgf Min.
 - AFTER TEST, CONTACT RESISTANCE: 100mΩ MAX.
 - AFTER HUMIDITY TEST, INSULATION RESISTANCE: 50MΩ MIN.
 - MARKING: MARK "S" ON TOP OF CONNECTOR.
 - PACKING : TAPE & REEL.
 - TO CONFORM TO SINGATRON HAZARDOUS SUBSTANCE FREE SPEC.
 - HALOGEN FREE PRODUCT IDENTIFICATION MARK ON JACK.
 - HALOGEN FREE PRODUCT IDENTIFICATION LABEL ON PACKAGING.

I	MYLAR	1	KAPTON 0.06T	YELLOW
H	SHIELDING	1	STAINLESS STEEL ,0.12T	ALL OVER Ni 60u" MIN
G	EARTH SPRING-A	1	PHOSPHOR BRONZE,0.25T	GOLD FLASH ON CONTACT AREA GOLD FLASH ALL OVER Ni 50u" MIN
F	EARTH SPRING-B	1	PHOSPHOR BRONZE,0.20T	
E	RING SPRING	1	PHOSPHOR BRONZE,0.25T	
D	TIP SPRING	1	PHOSPHOR BRONZE,0.25T	
C	EARTH SPRING	1	PHOSPHOR BRONZE,0.20T	GOLD FLASH ALL OVER Ni 50u" MIN
B	CASE	1	LCP+30%GF E130I	BLACK
A	BODY	1	UL 94V-0	
NO	DESCRIPTION	QTY	MATERIAL	PLATING & COLOR
UNLESS OTHERWISE SPECIFIED TOLERANCES			Singatron Enterprise Co., Ltd. 信音企業股份有限公司	
DECIMALS: ANGLES:		TITLE: Ø3.5 PHONE JACK		
X	:±0.5	X	:±2°	DWN Xinzhi PART NO.2SJ3006-026311F
X.X	:±0.3	X.X	:±1°	CHKD Bruce SCALE 4:1 UNIT: mm
X.XX	:±0.2			APVD Liao SIZE: A3 SHEET:1 OF 1 REV:B
CUSTOMER COPY				