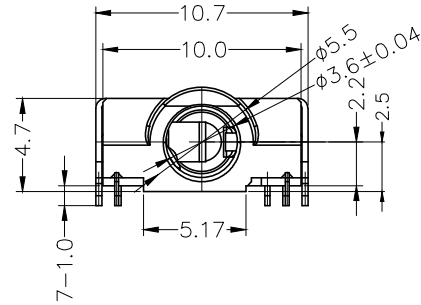
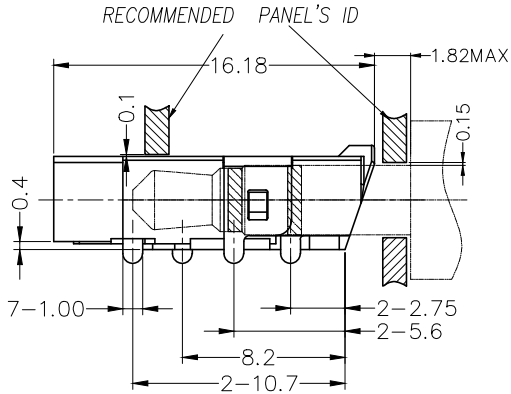
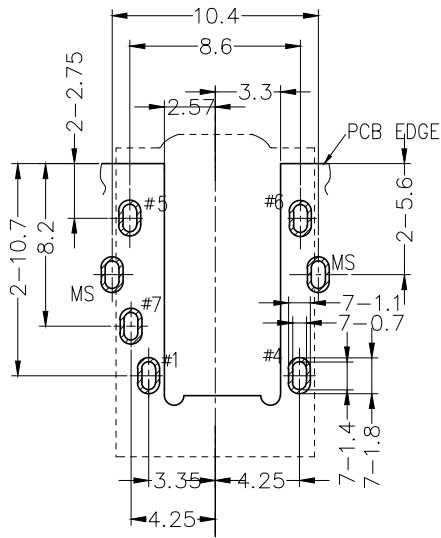


REV:	ECN NO OR DESCRIPTION	REVISED	DATE
A	PDR NO:T161222-4A	Yulin	2017.02.23

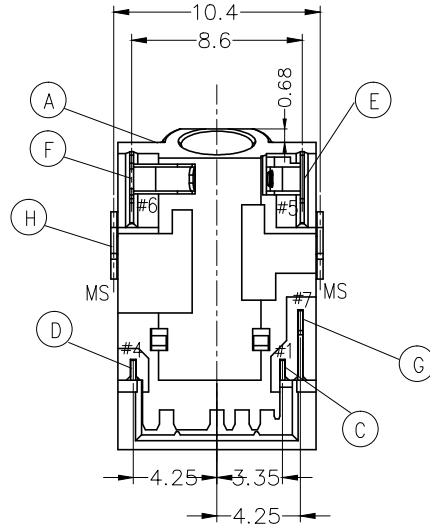
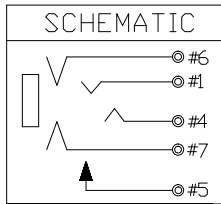


SPECIFICATIONS:

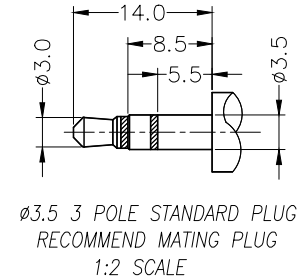
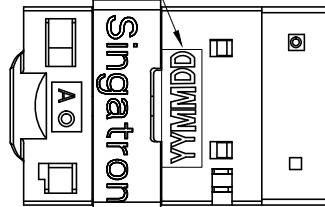
- ELECTRICAL CHARACTERISTICS:
 - 1-1. RATING: 12V 1A
 - 1-2. CONTACT RESISTANCE: 30mΩ MAX(INITIAL).
 - 1-3. DIELECTRIC VOLTAGE WITHSTAND: 500V AC FOR ONE MINUTE
 - 1-4. INSULATION RESISTANCE: 100MΩ MIN. MEASURED BY 500 VDC
- MECHANICAL CHARACTERISTICS:
 - 2-1. INSERTED FORCE : 3.5 KG MAX.
 - 2-2. WITHDRAWAL FORCE : 0.3~4.0 KG.
- LIFE TEST: 5,000 CYCLES MIN.
- PACKAGING: TAPE & REEL
- TO CONFORM TO SINGATRON HAZARDOUS SUBSTANCE FREE SPEC.
- HALOGEN FREE PRODUCT IDENTIFICATION MARK ON PRODUCT:
- HALOGEN FREE PRODUCT IDENTIFICATION LABEL ON PACKAGING:
- FOR LEAD-FREE PROCESS.



RECOMMENDED PCB LAYOUT
TOP VIEW (TOLERANCE: ±0.05)



DATE CODE



H	SHIELDING	1	COPPER ALLOY, 0.3t	60u" Sn ON SOLDER TAIL; Ni UNDERPLATING 50u"
G	EARTH SPRING-A	1	PHOSPHOR BRONZE, 0.25t	GOLD FLASH; OVER ALL 50u" Ni
F	EARTH SPRING-B	1	PHOSPHOR BRONZE, 0.2t	GOLD FLASH; OVER ALL 50u" Ni
E	EARTH TERMINAL	1	PHOSPHOR BRONZE, 0.2t	GOLD FLASH; OVER ALL 50u" Ni
D	TIP SPRING	1	PHOSPHOR BRONZE, 0.25t	GOLD FLASH; OVER ALL 50u" Ni
C	RING SPRING	1	PHOSPHOR BRONZE, 0.25t	GOLD FLASH; OVER ALL 50u" Ni
B	CASE	1	HIGH TEMP.THERMOPLASTIC;UL94V-0	BLACK
A	BODY	1	HIGH TEMP.THERMOPLASTIC;UL94V-0	BLACK
NO	DESCRIPTION	QTY	MATERIAL	PLATING & COLOR

UNLESS OTHERWISE SPECIFIED TOLERANCES



Singatron Enterprise Co., Ltd.
信音企業股份有限公司

DECIMALS: ANGLES:
X :±0.5 X :±2'
X.X :±0.3 X.X :±1'
X.XX :±0.2

TITLE	ø3.5 PHONE JACK			
DWN	Yulin	PART NO. 2SJ3011-005111F		
CHKD	Bruce	SCALE: 4:1	UNIT: mm	
APVD	Lussen	SIZE: A3	SHEET: 1 OF 1	REV: A

CUSTOMER COPY