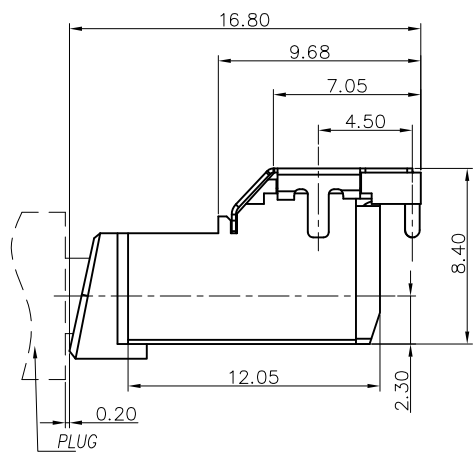
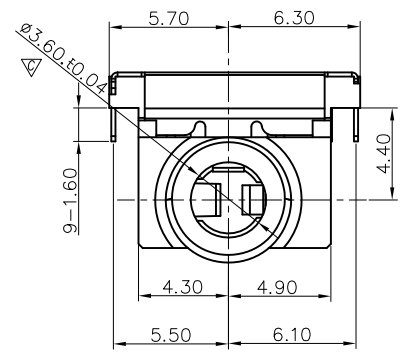
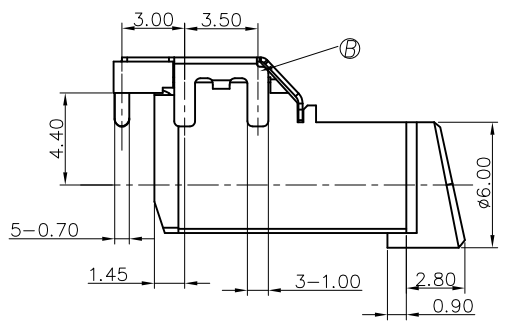
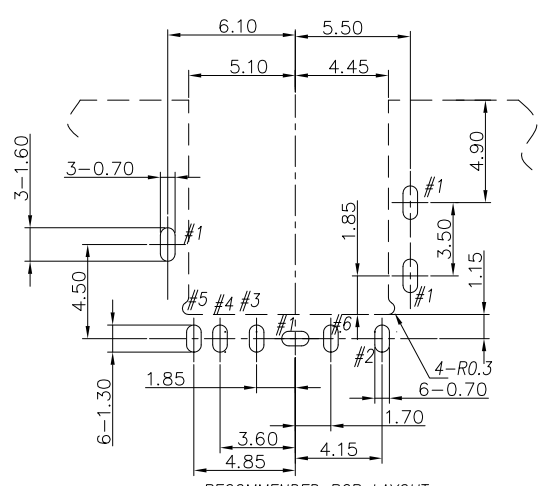


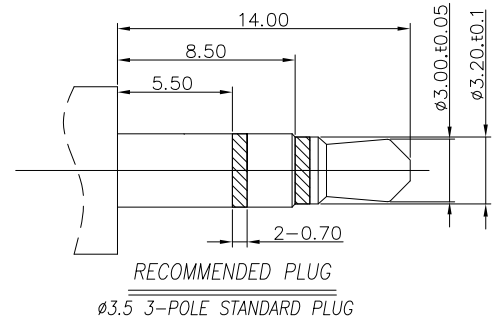
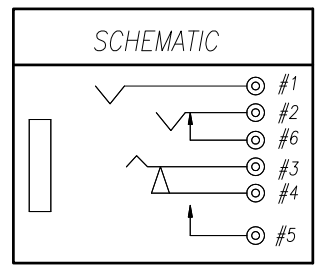
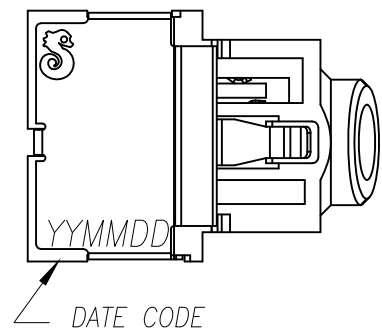
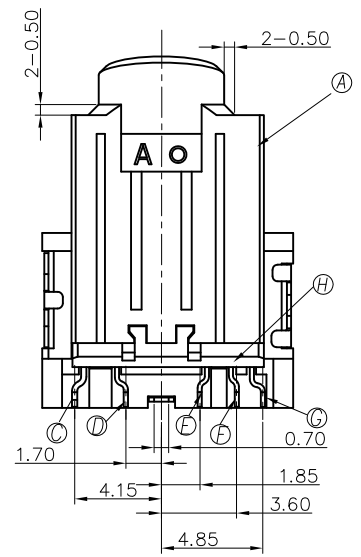
REV.	ECN NO OR DESCRIPTION	REVISED	DATE
A	PDR:T110803-5A	Bruce	2012.02.08



- SPECIFICATIONS:**
- INSULATION RESISTANCE BETWEEN ANY ADJACENT OPEN CIRCUIT TERMINAL SHELL NOT BE LESS THAN 100M MEASURED BY 500 VDC MEGGER.
  - INSULATION VOLTAGE WITHSTAND: 500V AC FOR ONE MINUTE.
  - CONTACT RESISTANCE: 30mΩ MAX.
  - UNLESS OTHERWISE SPECIFIED, TEST IS TO BE MADE AT 5-35°C IN TEMPERATURE AND 45-85% IN HUMIDITY. BUT, IF ANY VAGUE DATA IS OCCURED ON TEST RESULT, ANOTHER TEST SHALL BE MADE AT 20°C±2°C IN TEMP., 60-70% IN HUMIDITY.
  - LIFE TEST: 5,000 CYCLES MIN. (NON-LOAD)
  - INSERTION FORCE: 0.4 - 3Kg.
  - WITHDRAWAL FORCE: 0.4- 3Kg.
  - AFTER LIFE TEST, CONTACT RESISTANCE: 50mΩ MAX.
  - AFTER HUMIDITY TEST, INSULATION RESISTANCE: 50MΩ MIN.
  - MARKING: MARK "S" ON TOP OF CONNECTOR.
  - PACKAGING : TAPE & REEL.
  - TO CONFORM TO SINGATRON HAZARDOUS SUBSTANCE FREE SPEC
  - HALOGEN FREE PRODUCT IDENTIFICATION MARK ON PRODUCT:
  - HALOGEN FREE PRODUCT IDENTIFICATION LOGO ON PACKAGING:
  - FOR LEAD-FREE PROCESS.
  - ▽ REPRESENTS CPK DIMENSION.



RECOMMENDED PCB LAYOUT  
TOP VIEW ; TOL.±0.05



NO	DESCRIPTION	QTY	MATERIAL	PLATING & COLOR
H	COVER	1	HIGH TEMP.THERMOPLASTIC UL 94V-0	BLACK
G	MAKE TERMINAL	1	PHOSPHOR BRONZE 0.2t	GOLD FLASH ON CONTACT AREA Matt Sn 120u" ON SOLDER AREA ALL OVER Ni 60u"
F	TRANSFER TERMINAL	1	PHOSPHOR BRONZE 0.2t	
E	RING SPRING	1	PHOSPHOR BRONZE 0.2t	
D	SHUNT TERMINAL	1	PHOSPHOR BRONZE 0.2t	
C	TIP SPRING	1	PHOSPHOR BRONZE 0.25t	
B	SHELL&EARTH	1	PHOSPHOR BRONZE 0.2t	GOLD FLASH ON CONTACT AREA OVER Ni 60u" Min
A	BODY	1	HIGH TEMP.THERMOPLASTIC UL 94V-0	BLACK
UNLESS OTHERWISE SPECIFIED TOLERANCES		Singatron Enterprise Co., Ltd. 		
DECIMALS: ANGLES:		TITLE: <b>3.5φ PHONE JACK</b>		
X : ±0.5 X : ±2°		DWN Bruce PART NO.2SJ3013-005311F		
X.X : ±0.3 X.X : ±1°		CHKD Lussen SCALE:4:1 UNIT: mm		
X.XX : ±0.2		APVD Max SIZE: A3 SHEET:1 OF 1 REV:A		
<b>CUSTOMER COPY</b>				