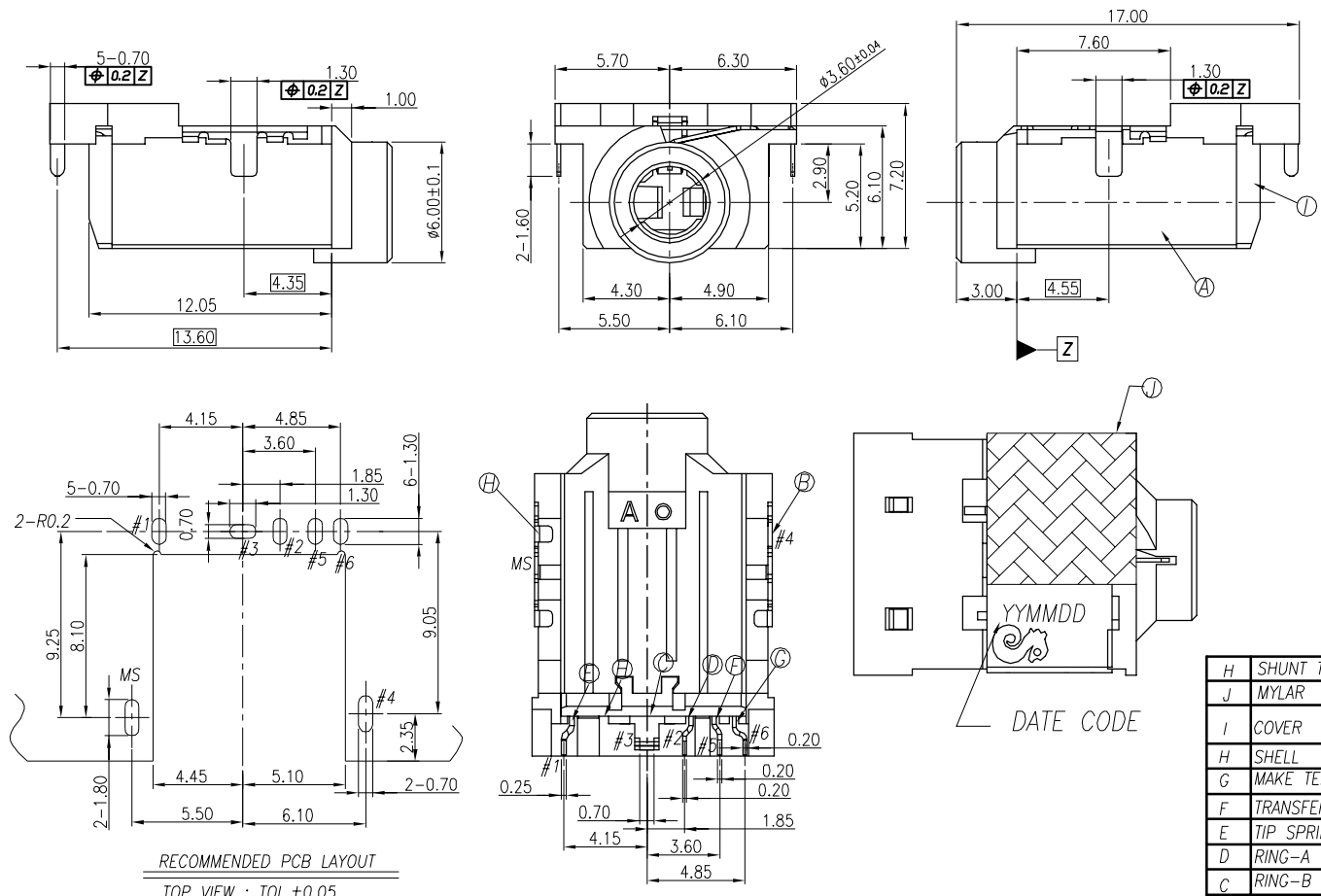
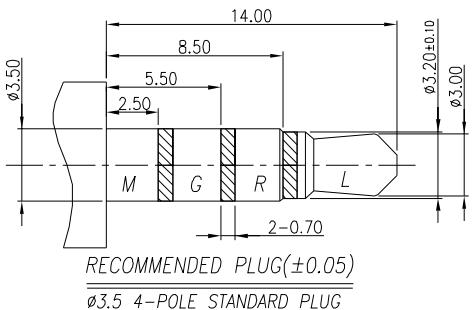
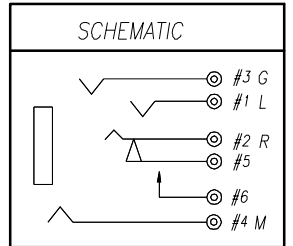


REV.	ECN NO OR DESCRIPTION	REVISED	DATE
A	PDR NO.T110728-7B	HM-JIANG	2012.03.12
B	ECN NO.S130535	SEAN	2013.09.06
C	ECN NO.S140531	ANDY	2014.07.22

- SPECIFICATIONS:**
- INSULATION RESISTANCE BETWEEN ANY ADJACENT OPEN CIRCUIT TERMINAL SHELL NOT BE LESS THAN 100MΩ MEASURED BY 500 VDC MEGGER.
 - INSULATION VOLTAGE WITHSTAND: 500V AC FOR ONE MINUTE.
 - CONTACT RESISTANCE: 30mΩ MAX.
 - UNLESS OTHERWISE SPECIFIED, TEST IS TO BE MADE AT 5-35°C IN TEMPERATURE AND 45-85% IN HUMIDITY. BUT,IF ANY VAGUE DATA IS OCCURED ON TEST RESULT, ANOTHER TEST SHALL BE MADE AT 20°C±2°C IN TEMP., 60-70% IN HUMIDITY.
 - LIFE TEST: 5,000 CYCLES MIN. (NON-LOAD)
 - INSERTION FORCE:0.4 - 3Kg.
 - WITHDRAWAL FORCE:0.4- 3Kg.
 - AFTER LIFE TEST, CONTACT RESISTANCE: 50mΩ MAX.
 - AFTER HUMIDITY TEST, INSULATION RESISTANCE:50MΩ MIN.
 - MARKING: MARK "⊗" ON TOP OF CONNECTOR.
 - PACKAGING : TAPE & REEL.
 - TO CONFORM TO SINGATRON HAZARDOUS SUBSTANCE FREE SPEC.
 - HALOGEN FREE PRODUCT IDENTIFICATION MARK ON PRODUCT: ⊗
 - HALOGEN FREE PRODUCT IDENTIFICATION LOGO ON PACKAGING: ⊗



RECOMMENDED PCB LAYOUT
TOP VIEW ; TOL.±0.05



NO	DESCRIPTION	QTY	MATERIAL	PLATING & COLOR
H	SHUNT TERMINAL	1	C2680-H 0.2T	Ni 60u" MIN.
J	MYLAR	1	KAPTON	YELLOW
I	COVER	1	HIGH TEMP.THERMOPLASTIC UL 94V-0	BLACK
H	SHELL	1	PHOSPHOR BRONZE, 0.2t	NICKET 50u" MIN.
G	MAKE TERMINAL	1	PHOSPHOR BRONZE, 0.2t	
F	TRANSFER TERMINAL	1	PHOSPHOR BRONZE, 0.2t	Au 5u" ON CONTACT AREA, GOLD FLASH ON SOLDER TAIL.
E	TIP SPRING	1	PHOSPHOR BRONZE, 0.25t	ALL OVER NICKET 50u" MIN. PLATING.
D	RING-A	1	PHOSPHOR BRONZE, 0.2t	
C	RING-B	1	PHOSPHOR BRONZE, 0.2t	
B	EARTH	1	PHOSPHOR BRONZE, 0.2t	Au 5u" ON CONTACT AREA, TIN 120u"MIN. ON SOLDER TAIL, ALL OVER NICKET 50u" MIN. PLATING.
A	BODY	1	HIGH TEMP.THERMOPLASTIC UL 94V-0	BLACK

UNLESS OTHERWISE SPECIFIED TOLERANCES		Singatron Enterprise Co., Ltd. 信音企業股份有限公司	
DECIMALS:	ANGLES:	TITLE	3.5φ PHONE JACK
X :±0.5	X :±2°	DWN ANDY	PART NO.2SJ3013-012311F
X.X :±0.3	X.X :±1°	CHKD CERRY	SCALE:4:1 UNIT: mm
X.XX :±0.2		APVD MAX	SIZE: A3 SHEET:1 OF 1 REV:C
CUSTOMER COPY			