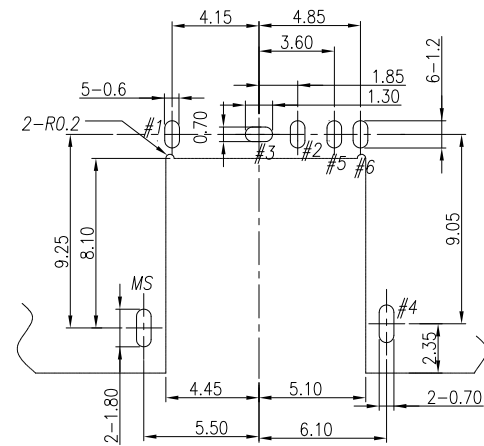
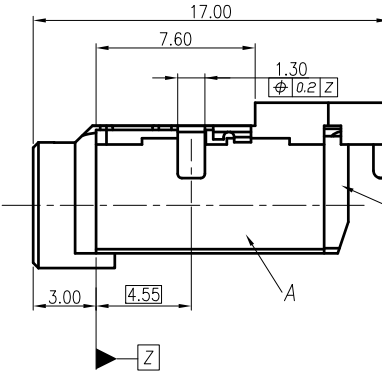
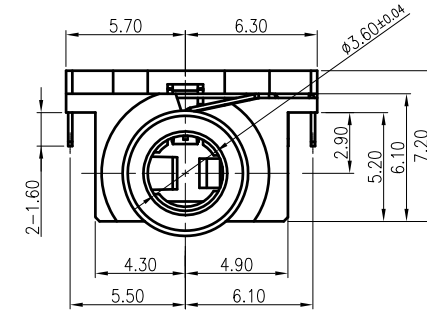
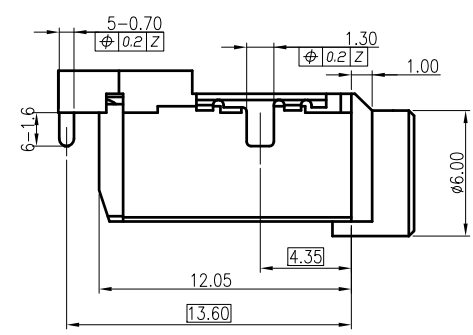


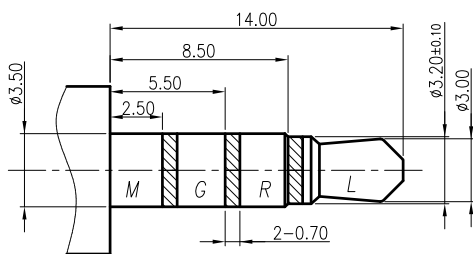
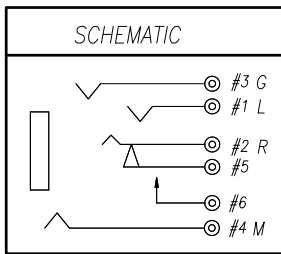
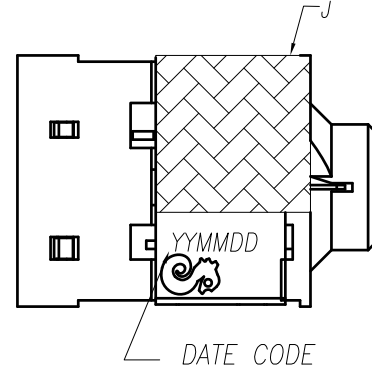
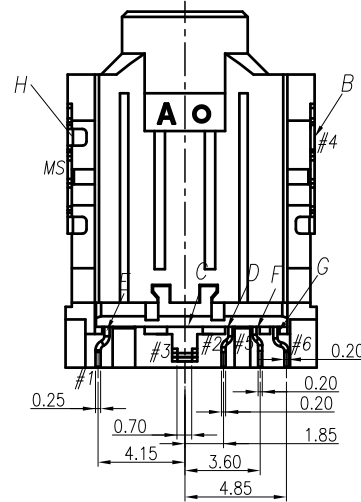
REV.	ECN NO OR DESCRIPTION	REVISED	DATE
A	PDR NO.T120316-1A	Aaron	2012.04.02

SPECIFICATIONS:

- INSULATION RESISTANCE BETWEEN ANY ADJACENT OPEN CIRCUIT TERMINAL SHELL NOT BE LESS THAN 100MΩ MEASURED BY 500 VDC MEGGER.
- INSULATION VOLTAGE WITHSTAND:
500V AC FOR ONE MINUTE.
- CONTACT RESISTANCE: 30mΩ MAX.
- UNLESS OTHERWISE SPECIFIED, TEST IS TO BE MADE AT 5-35°C IN TEMPERATURE AND 45-85% IN HUMIDITY. BUT,IF ANY VAGUE DATA IS OCCURED ON TEST RESULT, ANOTHER TEST SHALL BE MADE AT 20°C±2°C IN TEMP., 60-70% IN HUMIDITY.
- LIFE TEST: 5,000 CYCLES MIN. (NON-LOAD)
- INSERTION FORCE:0.4 - 3Kg.
- WITHDRAWAL FORCE:0.4- 3Kg.
- AFTER LIFE TEST, CONTACT RESISTANCE: 50mΩ MAX.
- AFTER HUMIDITY TEST, INSULATION RESISTANCE:50MΩ MIN.
- MARKING: MARK "S" ON TOP OF CONNECTOR.
- PACKAGING : TAPE & REEL.
- TO CONFORM TO SINGATRON HAZARDOUS SUBSTANCE FREE SPEC.
- HALOGEN FREE PRODUCT IDENTIFICATION MARK ON PRODUCT: ●
- HALOGEN FREE PRODUCT IDENTIFICATION LOGO ON PACKAGING: ●



RECOMMENDED PCB LAYOUT
TOP VIEW ; TOL.±0.05



RECOMMENDED PLUG(±0.05)
ø3.5 4-POLE STANDARD PLUG

J	MYLAR	1	KAPTON	YELLOW
I	COVER	1	HIGH TEMP.THERMOPLASTIC UL 94V-0	BLACK
H	SHELL	1	PHOSPHOR BRONZE, 0.2t	NICKET 50u" MIN.
G	MAKE TERMINAL	1	PHOSPHOR BRONZE, 0.2t	
F	TRANSFER TERMINAL	1	PHOSPHOR BRONZE, 0.2t	
E	TIP SPRING	1	PHOSPHOR BRONZE, 0.25t	GOLD FLASH ON CONTACT AREA,
D	RING-A	1	PHOSPHOR BRONZE, 0.2t	MATT. TIN 120u"MIN. ON SOLDER TAIL,
C	RING-B	1	PHOSPHOR BRONZE, 0.2t	ALL OVER NICKET 50u" MIN. PLATING.
B	EARTH	1	PHOSPHOR BRONZE, 0.2t	
A	BODY	1	HIGH TEMP.THERMOPLASTIC UL 94V-0	BLACK
NO	DESCRIPTION	QTY	MATERIAL	PLATING & COLOR

UNLESS OTHERWISE SPECIFIED TOLERANCES

Singatron Enterprise Co., Ltd.
信音企業股份有限公司

DECIMALS:	ANGLES:	TITLE	3.5ø PHONE JACK		
X :±0.5	X :±2°	DWN	Aaron	PART NO.2SJ3013-013311F	
X.X :±0.3	X.X :±1°	CHKD	Bruce	SCALE:4:1	UNIT: mm
X.XX :±0.2		APVD	Lussen	SIZE: A3	SHEET:1 OF 1 REV:A

CUSTOMER COPY