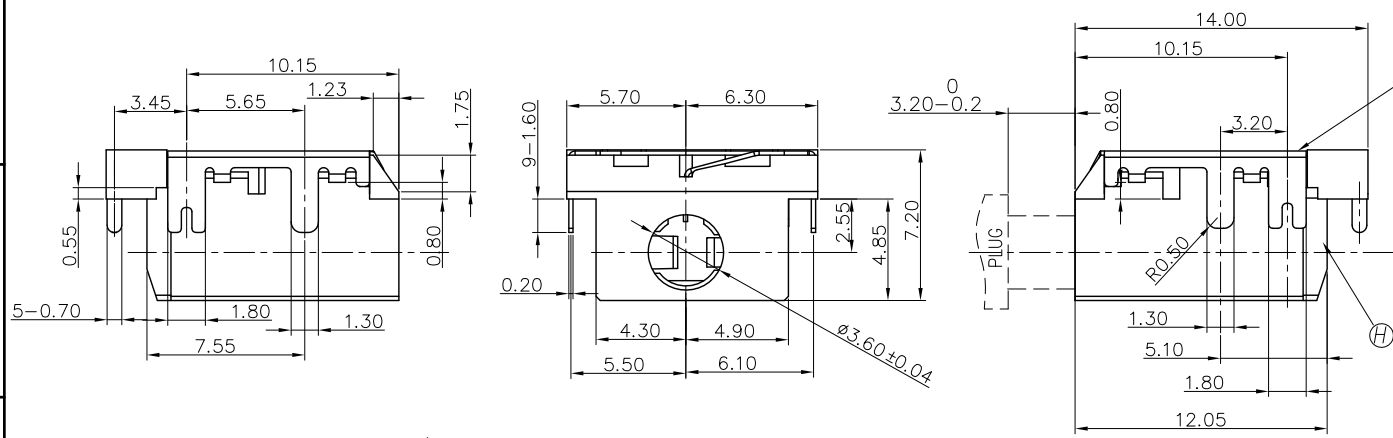
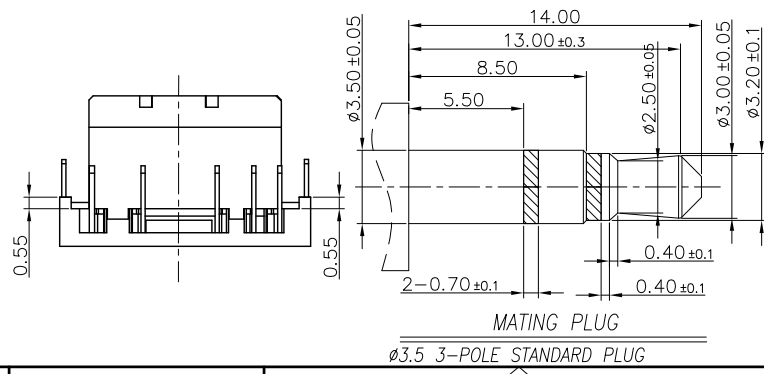
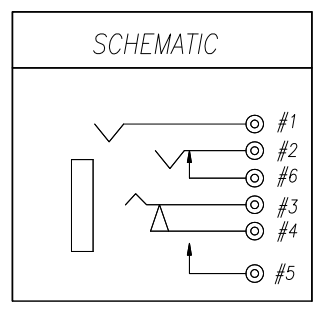
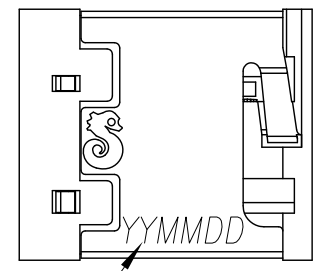
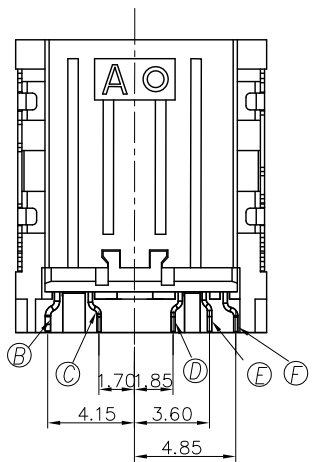
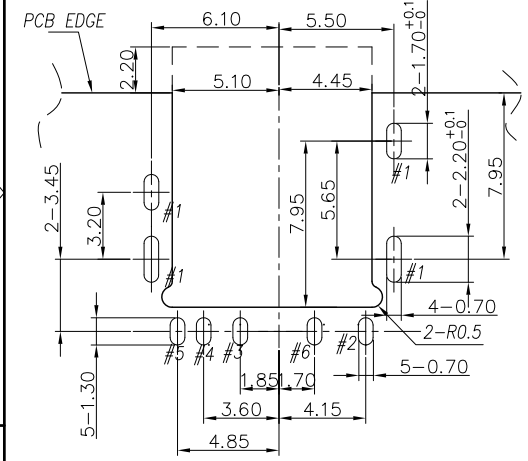


REV.	ECN NO OR DESCRIPTION	REVISED	DATE
A	PDR NO :T110902-9A	Swina	2012.01.01



- SPECIFICATIONS:**
- ELECTRICAL CHARACTERISTICS:
    - RATING: 12V 1A
    - CONTACT RESISTANCE: 30mΩ MAX.(INITIAL)
    - DIELECTRIC WITHSTANDING VOLTAGE: 500V AC FOR ONE MINUTE
    - INSULATION RESISTANCE: 100MΩ MIN. MEASURED BY 500 VDC
  - MECHANICAL CHARACTERISTICS:
    - INSERTION FORCE : 0.4~3.0 KGF
    - WITHDRAWAL FORCE : 0.4~3.0 KGF
  - LIFE TEST: 5,000 CYCLES MIN.
  - AFTER LIFE TEST, CONTACT RESISTANCE: 50mΩ MAX.
  - AFTER HUMIDITY TEST, INSULATION RESISTANCE: 50MΩ MIN.
  - OTHER GENERAL SPEC. TO REFER "2.5 3.5 PHONE JACK SPEC".
  - PACKAGING: TAPE & REEL.
  - TO CONFORM TO SINGATRON HAZARDOUS SUBSTANCE FREE SPEC.
  - HALOGEN FREE PRODUCT IDENTIFICATION MARK ON PRODUCT:
  - HALOGEN FREE PRODUCT IDENTIFICATION LOGO ON PACKAGING:
  - FOR REFLOW SOLDERING LEAD-FREE PROCESS.



NO	DESCRIPTION	QTY	MATERIAL	PLATING & COLOR
H	COVER	1	HIGH TEMP.THERMOPLASTIC UL 94V-0	BLACK
G	SHELL&EARTH SPRING	1	PHOSPHOR BRONZE 0.2t	GOLD FLASH ON CONTACT AREA OVER Ni 60u" Min.
F	MAKE TERMINAL	1	PHOSPHOR BRONZE 0.2t	GOLD FLASH ON CONTACT AREA & SOLDER TAIL;
E	TRANSFER TERMINAL	1	PHOSPHOR BRONZE 0.2t	
D	RING SPRING	1	PHOSPHOR BRONZE 0.2t	ALL OVER Ni 60u" Min.
C	SHUNT TERMINAL	1	COPPER ALLOY 0.2t	
B	TIP SPRING	1	PHOSPHOR BRONZE 0.25t	
A	BODY	1	HIGH TEMP.THERMOPLASTIC UL 94V-0	BLACK

UNLESS OTHERWISE SPECIFIED TOLERANCES	Singatron Enterprise Co., Ltd. 信音企業股份有限公司		
DECIMALS:	TITLE		
ANGLES:	3.5φ PHONE JACK		
X :±0.5	X :±2°	DWN Swina	PART NO.2SJ3013-017311F
X.X :±0.3	X.X :±1°	CHKD Bruce	SCALE:4:1 UNIT: mm
X.XX :±0.2		APVD Lussen	SIZE: A3 SHEET:1 OF 1 REV:A
<b>CUSTOMER COPY</b>			