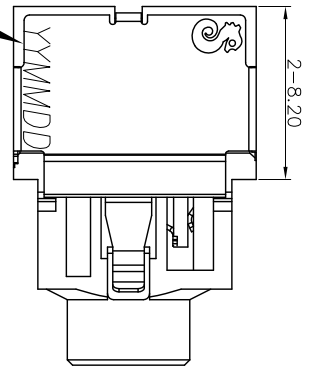
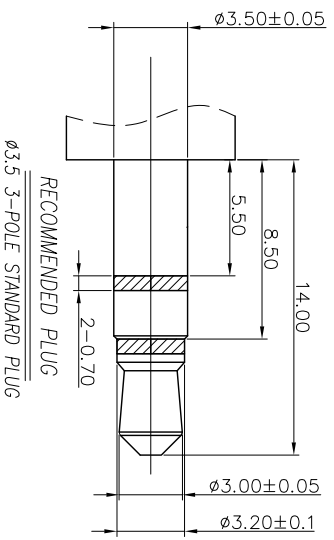
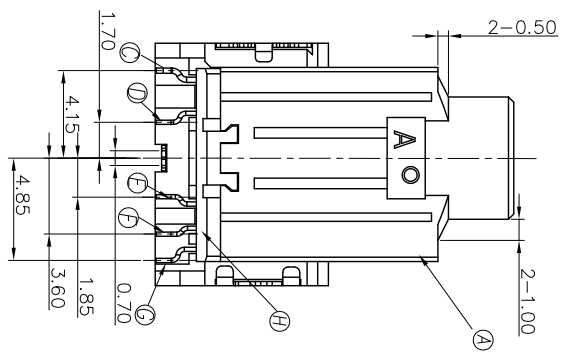
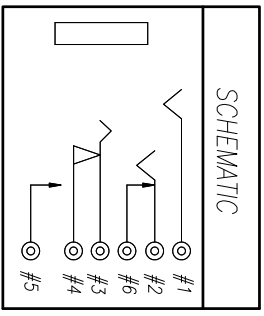


RECOMMENDED PCB LAYOUT
TOP VIEW ; TOL.±0.05



- SPECIFICATIONS:
- ELECTRICAL CHARACTERISTICS:
 - 1-1. RATING: 12V 1A
 - 1-2. CONTACT RESISTANCE: 50mΩ MAX.(INITIAL)
 - 1-3. DIELECTRIC WITHSTANDING VOLTAGE: 500V AC FOR ONE MINUTE.
 - 1-4. INSULATION RESISTANCE: 100MΩ MIN. MEASURED BY 500 VDC.
 - MECHANICAL CHARACTERISTICS:
 - 2-1. INSERTION FORCE : 0.3~3.0 KGF.
 - 2-2. WITHDRAWAL FORCE : 0.3~3.0KGF.
 - LIFE TEST: 5,000 CYCLES MIN. AFTER LIFE TEST CONTACT RESISTANCE: 60mΩ MAX.
 - PACKAGING : TAPE & REEL.
 - TO CONFORM TO SINGATRON HAZARDOUS SUBSTANCE FREE SPEC.
 - HALOGEN FREE PRODUCT IDENTIFICATION MARK ON PRODUCT:
 - HALOGEN FREE PRODUCT IDENTIFICATION LOGO ON PACKAGING:
 - FOR REFLOW LEAD-FREE SOLDERING PROCESS.
 - PRINTED DATE CODE "YYMMDD" ON TOP OF CONNECTOR.

H	COVER	1	HIGH TEMP.THERMOPLASTIC UL 94V-0	BLACK
G	MAKE TERMINAL	1	PHOSPHOR BRONZE 0.2t	
F	TRANSFER TERMINAL	1	PHOSPHOR BRONZE 0.2t	
E	RING SPRING	1	PHOSPHOR BRONZE 0.2t	GOLD FLASH ON CONTACT AREA Mat 5n 120u" ON SOLDER AREA ALT OVER IN 60u"
D	SHUNT TERMINAL	1	PHOSPHOR BRONZE 0.2t	
C	TIP SPRING	1	PHOSPHOR BRONZE 0.25t	
B	SHELL&EARTH	1	PHOSPHOR BRONZE 0.2t	GOLD FLASH ON CONTACT AREA OVER IN 60u" ALT
A	BODY	1	HIGH TEMP.THERMOPLASTIC UL 94V-0	BLACK
NO	DESCRIPTION	QTY	MATERIAL	PLATING & COLOR
UNLESS OTHERWISE SPECIFIED TOLERANCES				
DECIMALS:		ANGLES:		
X	±0.5	X	±2°	
X.X	±0.3	X.X	±1°	
X.XX	±0.2			
TITLE		3.5φ PHONE JACK		
DWN	Bruce	PART NO.2SJ3013-018311P		
CHKD	Sky	SCALE:4:1 UNIT: mm		
APVD	Lussen	SIZE: A3 SHEET:1 OF 1 REV:4		
CUSTOMER COPY				

Singatron Enterprise Co., Ltd.
信登企業股份有限公司