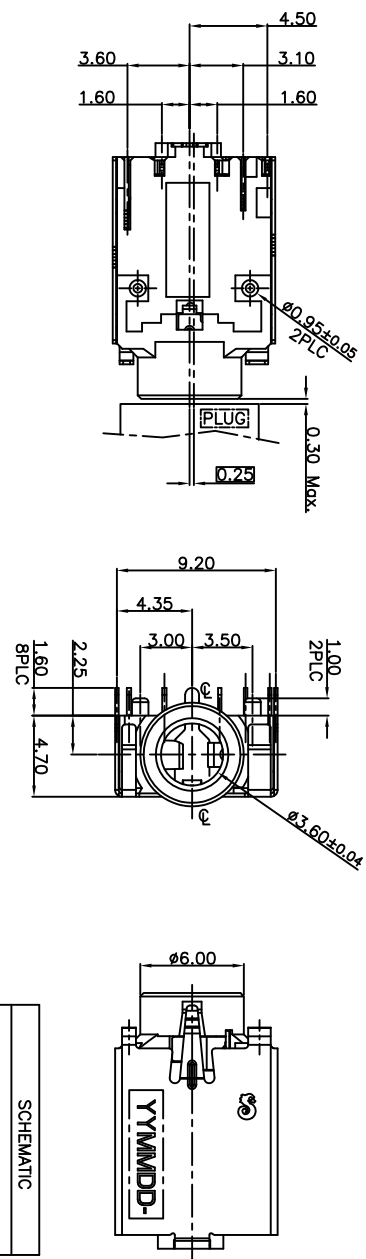
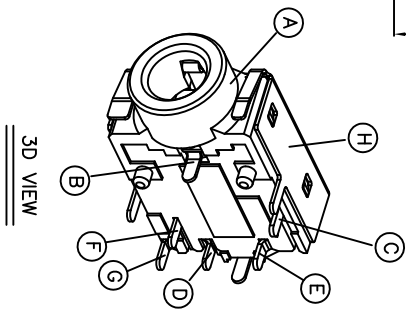
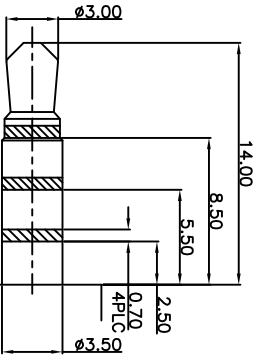
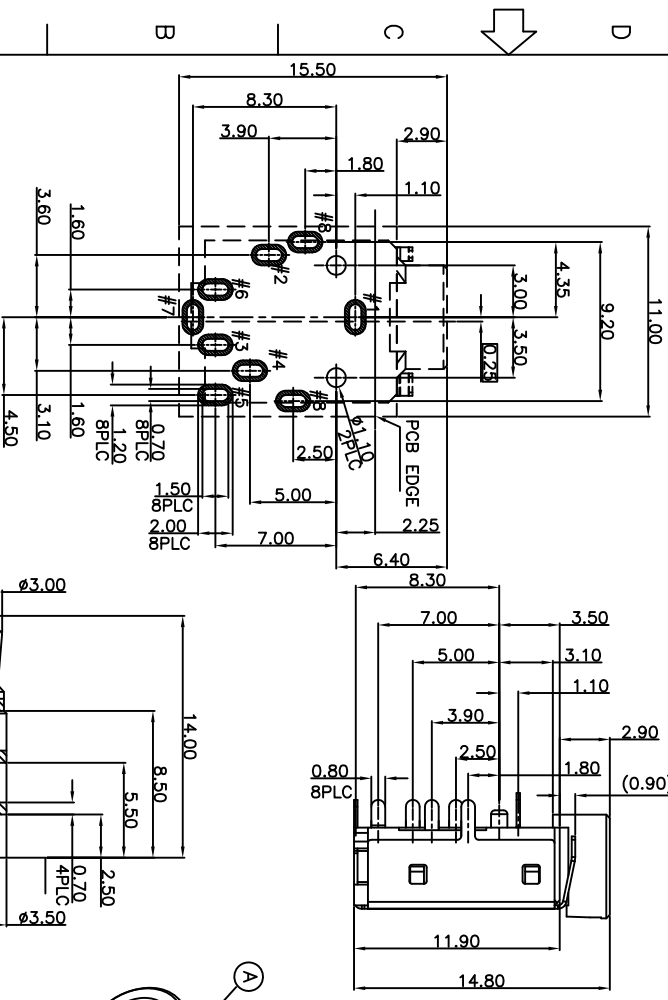
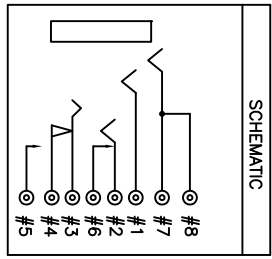


REV.	ECN NO OR DESCRIPTION	REVISED	DATE
A	PDR NO: T100111-1A	BOYE.QI	2010.09.03



- SPECIFICATIONS:
- INSULATION RESISTANCE BETWEEN ANY ADJACENT OPEN CIRCUIT TERMINAL SHELL NOT BE LESS THAN 100M MEASURED BY 500 VDC MEGGER.
 - CONTACT RESISTANCE: 50mΩ MAX.
 - INSULATION VOLTAGE WITHSTAND:500V AC FOR ONE MINUTE.
 - UNLESS OTHERWISE SPECIFIED, TEST IS TO BE MADE AT 5-35°C IN TEMPERATURE AND 45-85% IN HUMIDITY. BUT,IF ANY VAGUE DATA IS OCCURED ON TEST RESULT, ANOTHER TEST SHALL BE MADE AT 20°C±2°C IN TEMP., 60-70% IN HUMIDITY.
 - LIFE TEST: 5,000 CYCLES MIN.
 - INSERTION FORCE: 0.4 - 3Kg.
 - WITHDRAWAL FORCE: 0.3 - 2Kg.
 - AFTER LIFE TEST, CONTACT RESISTANCE: 60mΩ MAX.
 - AFTER HUMIDITY TEST, INSULATION RESISTANCE: 50mΩ MIN.
 - MARKING: MARK "S" ON TOP OF CONNECTOR.
 - PACKING : TAPE & REEL.
 - TO CONFORM TO SINGATRON HAZARDOUS SUBSTANCE FREE SPEC.
 - HALOGEN FREE PRODUCT IDENTIFICATION MARK ON JACK:
 - HALOGEN FREE PRODUCT IDENTIFICATION LABEL ON PACKAGING:



3D VIEW

NO	DESCRIPTION	QTY	MATERIAL	PLATING & COLOR
A	BODY	1	HIGH TEMP.THERMOPLASTIC UL 94V-0	BLACK COLOR
B	EARTH-A	1	COPPER ALLOY 0.2t	Ag 20u" MIN.
C	TIP SPRING	1	PHOSPHOR BRONZE 0.25t	
D	RING SPRING	1	PHOSPHOR BRONZE 0.2t	
E	SHUNT TERMINAL -A	1	BRASS 0.25t	120u" Sn ON SOLDER GOLD FLASH ON CONTACT AREA ALL OVER 50u" Ni
F	BREAK TERMINAL	1	PHOSPHOR BRONZE 0.2t	
G	TRANSFER TERMINAL	1	PHOSPHOR BRONZE 0.2t	
H	SHIELDING	1	PHOSPHOR BRONZE 0.2t	Ni 60u" MIN.

UNLESS OTHERWISE SPECIFIED TOLERANCES

DECIMALS: ANGLES:

X : ±0.5 X : ±2
X.X : ±0.3 X.X : ±1°
X.XX : ±0.2

Singatron Enterprise Co., Ltd.
信昌企業股份有限公司

TITLE: **Ø3.50 AUDIO JACK**
DWN: B01020003 PART NO. 2S33015-002111
CHKD: QM 20100803 SCALE: 4:1 UNIT: mm
APVD: MW 20100803 SIZE: A3 SHEET: 1 OF 1 REV: A

CUSTOMER COPY