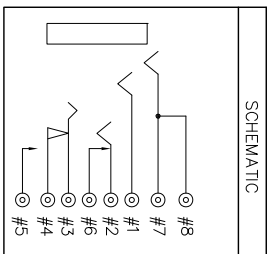
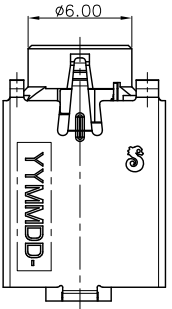
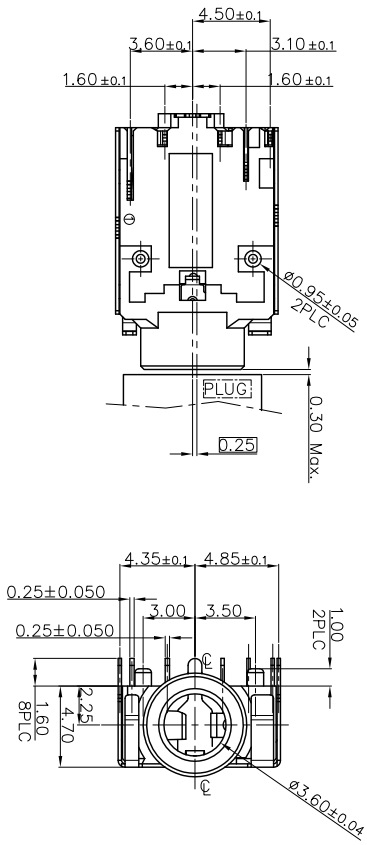
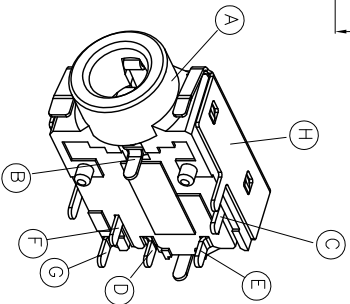
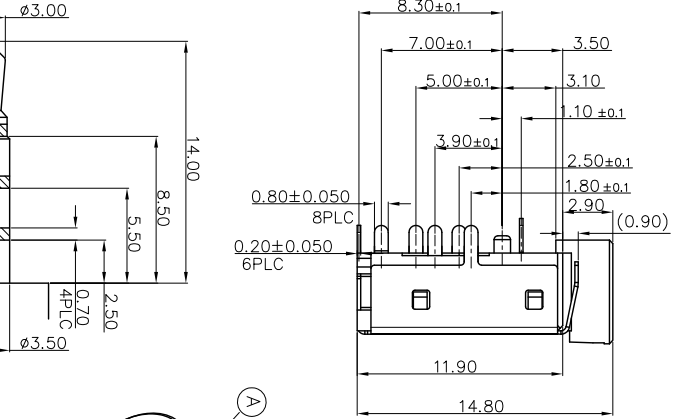


REV.	ECN NO.	OR DESCRIPTION	REVISED	DATE
A	PDR NO:	T120719-2A	MARS	2012.08.15
B	ECN NO:	S140845	ANDY	2014.12.18



- SPECIFICATIONS:
- INSULATION RESISTANCE BETWEEN ANY ADJACENT OPEN CIRCUIT TERMINAL SHELL NOT BE LESS THAN 100MΩ MEASURED BY 500 VDC MEGGER.
 - CONTACT RESISTANCE: 50mΩ MAX.
 - INSULATION VOLTAGE WITHSTAND: 500V AC FOR ONE MINUTE.
 - UNLESS OTHERWISE SPECIFIED, TEST IS TO BE MADE AT 5-35°C IN TEMPERATURE AND 45-85% IN HUMIDITY, BUT IF ANY VAGUE DATA IS OCCURED ON TEST RESULT, ANOTHER TEST SHALL BE MADE AT 20°C±2°C IN TEMP., 60-70% IN HUMIDITY.
 - LIFE TEST: 5,000 CYCLES MIN.
 - INSERTION FORCE: 0.3 - 3kg.
 - WITHDRAWAL FORCE: 0.3 - 3kg.
 - AFTER LIFE TEST, CONTACT RESISTANCE: 60mΩ MAX.
 - AFTER HUMIDITY TEST, INSULATION RESISTANCE: 50MΩ MIN.
 - MARKING: MARK "YY" ON TOP OF CONNECTOR.
 - PACKING: TAPE & REEL.
 - TO CONFORM TO SINGATRON HAZARDOUS SUBSTANCE FREE SPEC.
 - TO CONFORM TO SINGATRON IDENTIFICATION MARK ON JACK: (YY)
 - HALOGEN FREE PRODUCT IDENTIFICATION LABEL ON PACKAGING: (YY)
 - HALOGEN FREE PRODUCT IDENTIFICATION LABEL ON PACKAGING: (YY)



3D VIEW

RECOMMENDED PCB LAYOUT(TOP VIEW)
(TOLERANCE: ±0.05)

RECOMMENDED PLUG(4-POLE)
(TOLERANCE: ±0.05)

H	G	F	E	D	C	B	A	NO	DESCRIPTION	QTY	MATERIAL	PLATING & COLOR
H SHIELDING	G TRANSFER TERMINAL	F BREAK TERMINAL	E SHUNT TERMINAL-A	D RING SPRING	C TIP SPRING	B EARTH-A	A BODY	1	PHOSPHOR BRONZE 0.2t	1	PHOSPHOR BRONZE 0.2t	120u" Sn ON SOLDER GOLD FLASH ON CONTACT AREA ALL OVER 500 u"
								1	PHOSPHOR BRONZE 0.2t	1	PHOSPHOR BRONZE 0.2t	120u" Sn ON SOLDER GOLD FLASH ON CONTACT AREA ALL OVER 500 u"
								1	BRASS 0.25t	1	BRASS 0.25t	120u" Sn ON SOLDER GOLD FLASH ON CONTACT AREA ALL OVER 500 u"
								1	PHOSPHOR BRONZE 0.2t	1	PHOSPHOR BRONZE 0.2t	120u" Sn ON SOLDER GOLD FLASH ON CONTACT AREA ALL OVER 500 u"
								1	COPPER ALLOY 0.2t	1	COPPER ALLOY 0.2t	120u" Sn ON SOLDER GOLD FLASH ON CONTACT AREA ALL OVER 500 u"
								1	HIGH TEMP THERMOPLASTIC UL 94V-0	1	HIGH TEMP THERMOPLASTIC UL 94V-0	120u" Sn ON SOLDER GOLD FLASH ON CONTACT AREA ALL OVER 500 u"
								1	BLACK	1	BLACK	120u" Sn ON SOLDER GOLD FLASH ON CONTACT AREA ALL OVER 500 u"

Singatron Enterprise Co., Ltd.
信譽企業股份有限公司

UNLESS OTHERWISE SPECIFIED TOLERANCES

DECIMALS: ANGLES:
X : ±0.5 X : ±2°
X.X : ±0.3 X.X : ±1°
X.XX : ±0.2

TITLE: Ø3.50 AUDIO JACK
DMN: ANDY PART NO. 23J3015-013111F
CHKD: CERRY SCALE: 4:1 UNIT: mm
APVD: LIAO SIZE: A3 SHEET: 1 OF 1 REV: B

CUSTOMER COPY