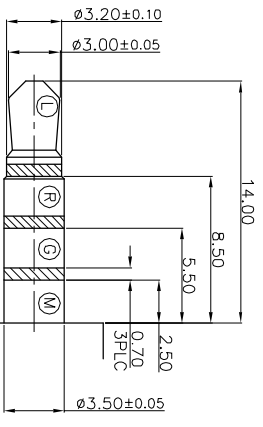
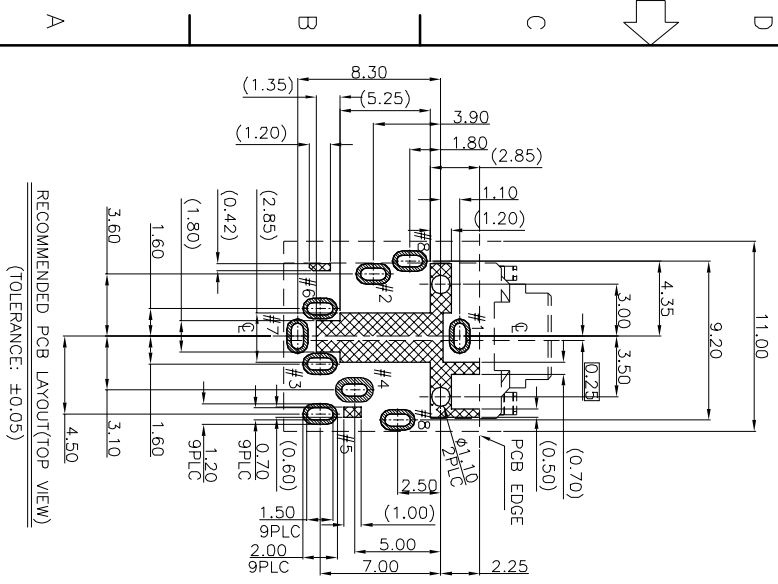


- SPECIFICATIONS:**
- 1. ELECTRICAL CHARACTERISTICS:**
- 1-1. RATING: 12V 1A
  - 1-2. CONTACT RESISTANCE: 30mΩ MAX.(INITIAL)
  - 1-3. DIELECTRIC WITHSTANDING VOLTAGE: 500V AC FOR ONE MINUTE.
  - 1-4. INSULATION RESISTANCE: 100MΩ MIN. MEASURED BY 500V DC
- 2. MECHANICAL CHARACTERISTICS:**
- 2-1. INSERTION FORCE : 0.3~3.0 KGF
  - 2-2. WITHDRAWAL FORCE : 0.3~3.0 KGF
3. LIFE TEST: 5,000 CYCLES MIN.
4. OTHER GENERAL SPEC. TO REFER "2S15015 SERIES SPEC".
5. TO CONFORM TO SINGATRON HAZARDOUS SUBSTANCE FREE SPEC.
6. HALOGEN FREE PRODUCT IDENTIFICATION MARK ON PRODUCT:
7. HALOGEN FREE PRODUCT IDENTIFICATION LOGO ON PACKAGING:
8. FOR REFLOW SOLDERING LEAD-FREE PROCESS.



RECOMMENDED PCB LAYOUT(TOP VIEW)  
(TOLERANCE: ±0.05)

RECOMMENDED PLUG  
4-POLE

1 2 3 4 5

REV.	ECN NO OR DESCRIPTION	REVISED	DATE
A	PDR NO: T131227-24	Kevin	2014.06.13

I	SHIELDING	1	PHOSPHOR BRONZE 0.2t	Ni 60µm MIN.
H	EARTH-B	1	PHOSPHOR BRONZE 0.2t	GOLD FLASH ON CONTACT AREA
G	TRANSFER TERMINAL	1	PHOSPHOR BRONZE 0.2t	120µm Sn ON SOLDER; ALL OVER 50µ" NI.
F	BREAK TERMINAL	1	PHOSPHOR BRONZE 0.2t	
E	SHUNT TERMINAL-A	1	BRASS 0.25t	Ag 20µm OVER Ni 60µm.
D	RING SPRING	1	PHOSPHOR BRONZE 0.2t	GOLD FLASH ON CONTACT AREA; 120µm Sn ON SOLDER; ALL OVER 50µ" NI.
C	TIP SPRING	1	PHOSPHOR BRONZE 0.25t	ALL OVER 50µ" NI.
B	EARTH-A	1	COPPER ALLOY 0.2t	GOLD FLASH ALL OVER 50µ" NI.
A	BODY	1	HIGH TEMP.THERMOPLASTIC UL 94V-0	BLACK COLOR
NO	DESCRIPTION	QTY	MATERIAL	PLATING & COLOR
UNLESS OTHERWISE SPECIFIED TOLERANCES				
Singatron Enterprise Co., Ltd. 信營企業股份有限公司				
TITLE		ø3.50 AUDIO JACK		
DWN	Kevin	PART NO.	2S15015-0231111F	
CHKD	Bruce	SCALE:4:1	UNIT:	mm
APVD	Lussen	SIZE: A3	SHEET:1 OF 1	REV: A
CUSTOMER COPY				

6 7 8