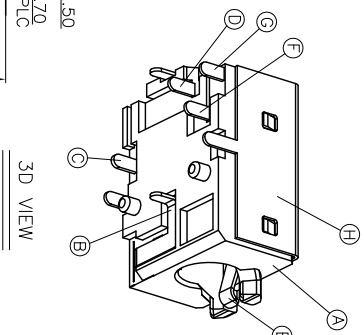
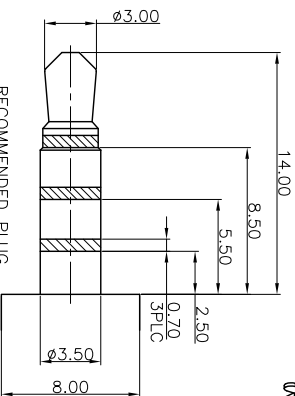
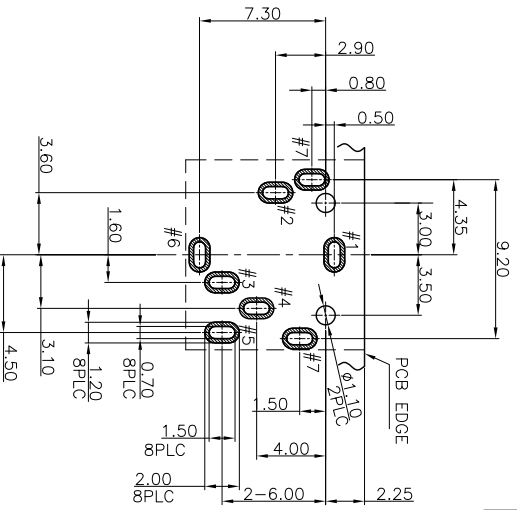
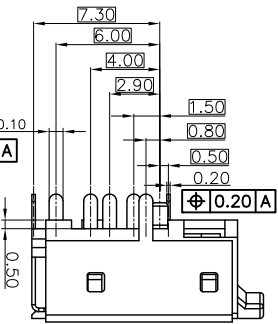
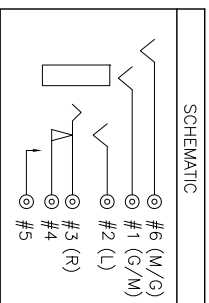
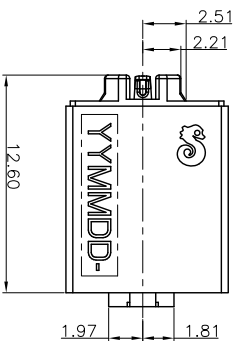
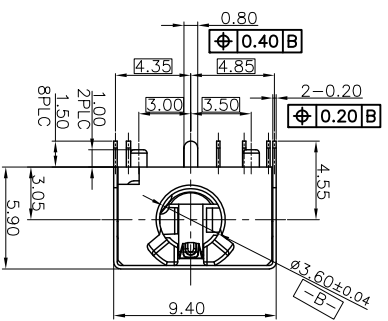
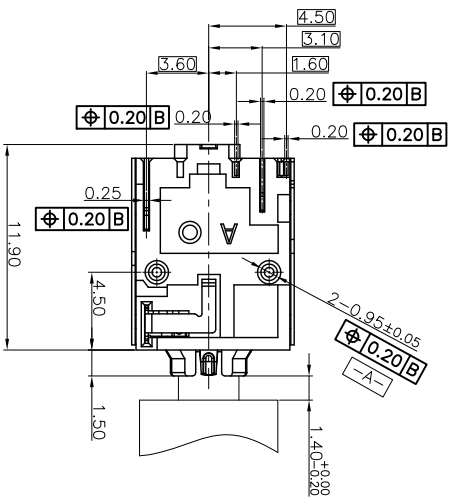


REV. A	ECN NO. PDR NO: T141020-12A	OR DESCRIPTION	REVISED Kevin	DATE 2015.01.04
--------	-----------------------------	----------------	---------------	-----------------

SPECIFICATIONS:

- ELECTRICAL CHARACTERISTICS:
 - RATING: 12V 1A
 - CONTACT RESISTANCE: 30mΩ MAX.(INITIAL)
 - DIELECTRIC WITHSTANDING VOLTAGE: 500V AC FOR ONE MINUTE.
 - INSULATION RESISTANCE: 100MΩ MIN. MEASURED BY 500 VDC.
- MECHANICAL CHARACTERISTICS:
 - INSERTION FORCE : 0.3~3.0KGF.
 - WITHDRAWAL FORCE : 0.3~3.0KGF.
 - LIFE TEST: 5,000 CYCLES MIN. AFTER LIFE TEST, CONTACT RESISTANCE: 60MΩ MAX.
 - PACKAGING : TAPE & REEL.
 - TO CONFORM TO SINGATRON HAZARDOUS SUBSTANCE FREE SPEC.
 - HALOGEN FREE PRODUCT IDENTIFICATION MARK ON PRODUCT:
 - HALOGEN FREE PRODUCT IDENTIFICATION LOGO ON PACKAGING:
 - FOR LEAD-FREE PROCESS.
 - PRINTED DATE CODE "YMMDD=" ON TOP OF CONNECTOR.
(YMMDD= YY:YEAR MM:MONTH DD:DAY)



H	SHIELDING	1	PHOSPHOR BRONZE 0.2t	Ni 60μm MIN.
G	BREAK TERMINAL	1	PHOSPHOR BRONZE 0.2t	GOLD FLASH ON CONTACT AREA.
F	TRANSFER TERMINAL	1	PHOSPHOR BRONZE 0.2t	120μm Sn ON SOLDER.
E	EARTH-B	1	PHOSPHOR BRONZE 0.2t	ALL OVER 50μm Ni.
D	RING SPRING	1	PHOSPHOR BRONZE 0.2t	Au 30μ" ON CONTACT AREA.
C	TIP SPRING	1	PHOSPHOR BRONZE 0.25t	120μm Sn ON SOLDER.
B	EARTH-A	1	COPPER ALLOY 0.2t	ALL OVER 50μ" Ni.
A	BODY	1	HIGH TEMP.THERMOPLASTIC UL 94V-0	Au 30μ" ALL OVER Ni 50μ" MIN.

NO	DESCRIPTION	QTY	MATERIAL	PLATING & COLOR
UNLESS OTHERWISE SPECIFIED TOLERANCES				
Singatron Enterprise Co., Ltd. 信晉企業股份有限公司				
TITLE: φ3.50 AUDIO JACK				
DWN	Kevin	PART NO. 2S3015-028111P		
CHKD	Bruce	SCALE:4:1	UNIT: mm	
APVD	Lussen	SIZE: A3	SHEET: 1 OF 1	REV: A

RECOMMENDED PCB LAYOUT(TOP VIEW)
(TOLERANCE: ±0.05)

RECOMMENDED PLUG
4-POLE

CUSTOMER COPY