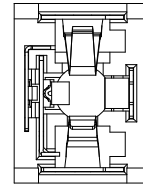
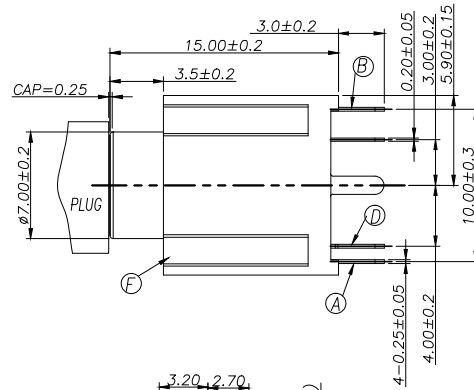
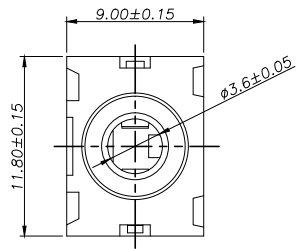
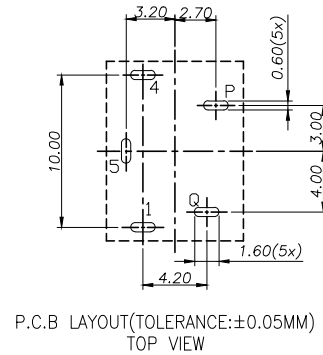
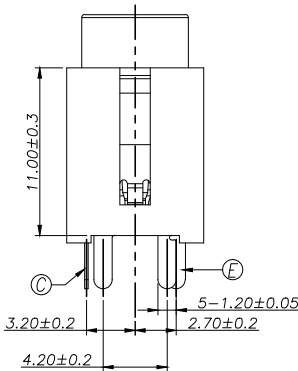


REV.	ECN NO OR DESCRIPTION	REVISED	DATE
A	ECN NO:S180801-0 2SJ3017-000XXX → 2SJ3017-000312	IVY-C	2019.09.02
B	ECN NO. L202203-003	EVEN	2022.04.26



SPECIFICATIONS:

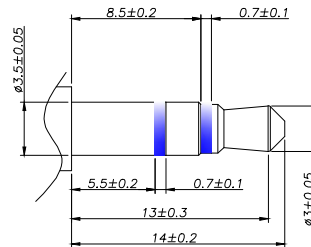
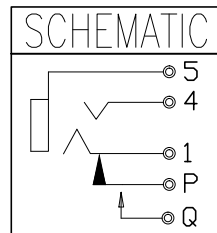
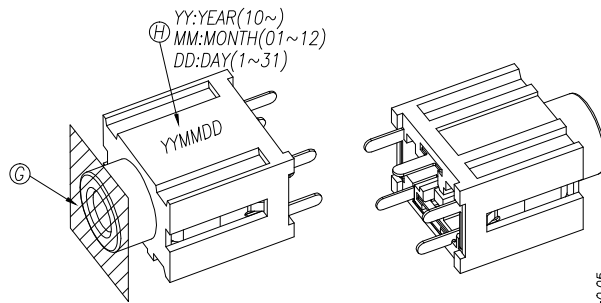
- ELECTRICAL CHARACTERISTICS:
 - CURRENT RATING: 0.5 AMP.
 - VOLTAGE RATING: 30V.
 - CONTACT RESISTANCE: 30mΩ MAX.
 - INSULATION RESISTANCE: 100MΩ MIN. @ 500V DC.
 - DIELECTRIC WITHSTANDING VOLTAGE: 500V AC FOR 1 MINUTE.
- MECHANICAL CHARACTERISTICS:
 - INSERTION FORCE: 0.4~3.0 Kgf.
 - WITHDRAWAL FORCE: 0.4~3.0 Kgf.
- LIFE TEST: 5,000 CYCLES.
- OTHER GENERAL SPEC. TO REFER "2SJ3017-000312 SPEC".
- TO CONFORM TO THE SINGATRON HAZARDOUS SUBSTANCE FREE SPEC.
- HALOGEN FREE PRODUCT IDENTIFICATION LABEL ON PACKAGING:
- PACKAGE: SEE "2SJ3017-000312" PACKAGE.
- FOR REFLOW SOLDERING LEAD-FREE PROCESS.



PART NO.

2SJ3017-000312

- PACKAGE
- 2: TAPE & REEL, CARRIER WIDTH=44mm
- HOUSING COLOR
- 1: BLACK
- CONTACT PLATING
- 3: GOLD FLASH PLATED(0.6u" MIN) ON CONTACT AREA & SOLDER TAIL, OVER NICKEL 40u" Min



Matching Plug

H	INK			BLACK
G	MYLAR		KAPTON	
F	HOUSING	1	HIGH TEMP. THERMOPLASTIC UL 94V-0	BLACK
E	CONTACT #P	1	PHOSPHOR BRONZE	Ni40u" Min,Au0.6u" Min. Δ
D	CONTACT #Q	1	PHOSPHOR BRONZE	Ni40u" Min,Au0.6u" Min. Δ
C	CONTACT #5	1	PHOSPHOR BRONZE	Ni40u" Min,Au0.6u" Min. Δ
B	CONTACT #4	1	PHOSPHOR BRONZE	Ni40u" Min,Au0.6u" Min. Δ
A	CONTACT #1	1	PHOSPHOR BRONZE	Ni40u" Min,Au0.6u" Min. Δ
NO	DESCRIPTION	QTY	MATERIAL	PLATING & COLOR

UNLESS OTHERWISE SPECIFIED TOLERANCES		Singatron Enterprise Co., Ltd. 信音科技(香港)有限公司		
DECIMALS:	ANGLES:	TITLE	φ3.5MM AUDIO JACK, VERTICAL TYPE	
X :±0.5	X :±2°	DWN	EVEN 2022.04.26	PART NO. 2SJ3017-000312
X.X :±0.3	X.X :±1°	CHKD		SCALE 1:1 UNIT: mm
X.XX :±0.2		APVD	ANGELA 2022.04.26	SIZE: A3 SHEET:1 OF 1 REV: B
CUSTOMER COPY				