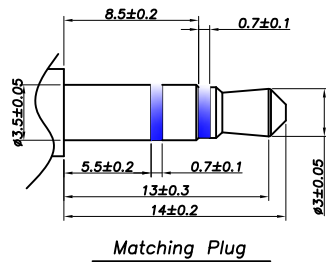
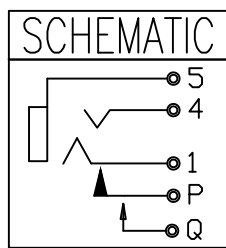
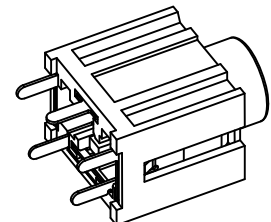
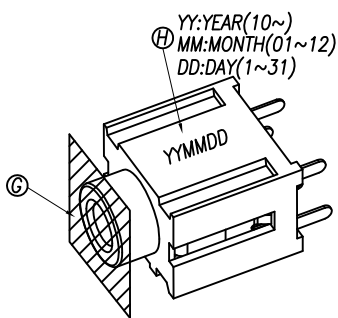


RECOMMENDED P.C.B LAYOUT  
TOLERANCE: ±0.1MM (BOTTOM VIEW)



SPECIFICATIONS:

- ELECTRICAL CHARACTERISTICS:
  - CURRENT RATING: 0.5 AMP.
  - VOLTAGE RATING: 30V.
  - CONTACT RESISTANCE: 30mΩ MAX.
  - INSULATION RESISTANCE: 100MΩ MIN. @ 500V DC.
  - DIELECTRIC WITHSTANDING VOLTAGE: 500V AC FOR 1 MINUTE.
- MECHANICAL CHARACTERISTICS:
  - INSERTION FORCE: 0.4~3.0 Kgf.
  - WITHDRAWAL FORCE: 0.4~3.0 Kgf.
- LIFE TEST: 5,000 CYCLES.
- OTHER GENERAL SPEC. TO REFER "2.5φ 3.5φ PHONE JACK SPEC".
- TO CONFORM TO THE SINGATRON HAZARDOUS SUBSTANCE FREE SPEC.
- HALOGEN FREE PRODUCT IDENTIFICATION LABEL ON PACKAGING:
- 2SJ3017-000XX1 SEE "2SJ3017 SERIES" PACKAGE.
- 2SJ3017-000312 SEE "2SJ3017-000312" PACKAGE.
- FOR REFLOW SOLDERING LEAD-FREE PROCESS.

PART NO.

2SJ3017-000XXX

PACKAGE

- TAPE & REEL, CARRIER WIDTH=32mm
- TAPE & REEL, CARRIER WIDTH=44mm

HOUSING COLOR

- BLACK
- LIME(577C)

CONTACT PLATING

- 30u" AU ON CONTACT AREA ,G/F ON SOLDER AREA
- GOLD FLASH OVERALL

H	INK		BLACK
G	MYLAR		KAPTON
F	HOUSING	1	HIGH TEMP. THERMOPLASTIC UL 94V-0 SEE PART NO. & "TABLE-1"
E	CONTACT #P	1	PHOSPHOR BRONZE GOLD FLASH OVERALL
D	CONTACT #Q	1	PHOSPHOR BRONZE GOLD FLASH OVERALL
C	CONTACT #5	1	PHOSPHOR BRONZE SEE PART NO. & "TABLE-1"
B	CONTACT #4	1	PHOSPHOR BRONZE SEE PART NO. & "TABLE-1"
A	CONTACT #1	1	PHOSPHOR BRONZE SEE PART NO. & "TABLE-1"
NO	DESCRIPTION	QTY	MATERIAL PLATING & COLOR

UNLESS OTHERWISE SPECIFIED TOLERANCES

Singatron Enterprise Co., Ltd.  
信音企業股份有限公司

DECIMALS:	ANGLES:	TITLE	Ø3.5MM AUDIO JACK, VERTICAL TYPE		
X : ±0.5	X : ±2°	DWN	NY-C 2013.11.28	PART NO. 2SJ3017-000XXX	
X.X : ±0.3	X.X : ±1°	CHKD		SCALE 1:1	UNIT: mm
X.XX : ±0.2		APVD	ANGELA 2013.11.28	SIZE: A3	SHEET: 1 OF 1 REV: F

CUSTOMER COPY

TABLE-1

PART NO.	CONTACT PLATING (MATING AREA)	HOUSING COLOR	DIM A
2SJ3017-000111	30u" GOLD	BLACK	3.0mm
2SJ3017-000311	GOLD FLASH	BLACK	3.0mm
2SJ3017-000331	GOLD FLASH	LIME(577C)	3.0mm
2SJ3017-000312	GOLD FLASH	BLACK	3.0mm

REV.	ECN NO OR DESCRIPTION	REVISED	DATE
C	ECN NO:L120092 & L120111	IVY-C	2012.08.27
D	ECN NO:L120122	IVY-C	2012.10.03
E	ECN NO:L130095 Delete:2SJ3017-000131	IVY-C	2013.06.27
F	ECN NO:L130096	IVY-C	2013.11.28