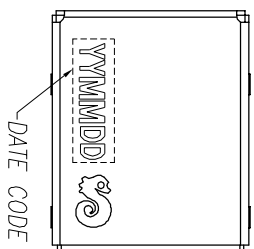
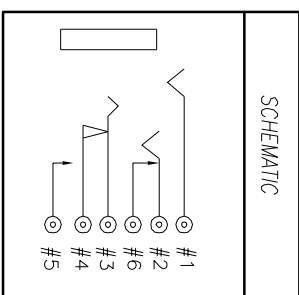
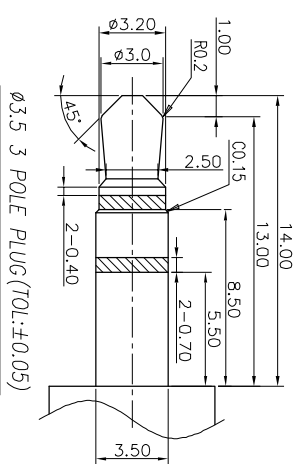
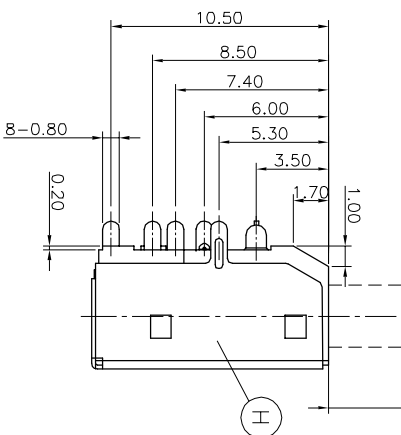
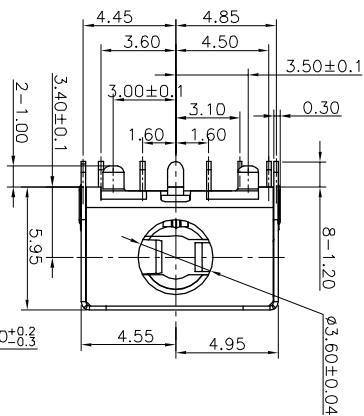


RECOMMENDED PCB LAYOUT (TOP VIEW)
(TOLERANCE: ±0.05)



- SPECIFICATIONS:
- INSULATION RESISTANCE BETWEEN ANY ADJACENT OPEN CIRCUIT TERMINAL SHELL NOT BE LESS THAN 100M MEASURED BY 500 VDC MEGGER.
 - CONTACT RESISTANCE: 30mΩ Max.
 - INSULATION VOLTAGE WITHSTAND:
500V AC FOR ONE MINUTE.
 - UNLESS OTHERWISE SPECIFIED. TEST IS TO BE MADE AT 5-35°C IN TEMPERATURE AND 45-85% IN HUMIDITY. BUT IF ANY VAGUE DATA IS OCCURED ON TEST RESULT, ANOTHER TEST SHALL BE MADE AT 20°C±2°C IN TEMP 60-70% IN HUMIDITY.
 - LIFE TEST: 5,000 CYCLES Min. (NON-LOAD).
 - INSERTION FORCE: 0.4 - 3kgf.
 - WITHDRAWAL FORCE: 0.3 - 2kgf.
 - AFTER LIFE TEST, CONTACT RESISTANCE: 50mΩ Max.
 - AFTER HUMIDITY TEST, INSULATION RESISTANCE: 50MΩ Min.
 - MARKING: MARK "S" ON TOP OF JACK.
 - PACKAGING: TAPE & REEL.
 - TO CONFORM TO SINGATRON HAZARDOUS SUBSTANCE FREE SPEC.
 - HALOGEN FREE PRODUCT IDENTIFICATION MARK ON PRODUCT:
 - HALOGEN FREE PRODUCT IDENTIFICATION LOGO ON PACKAGING:
 - FOR LEAD-FREE PROCESS.

REV.	ECN NO.	OR DESCRIPTION	REVISED	DATE
A	PDR: T091126-4A	BRUCE	2010.04.14	
B	ECN NO: S120730	Cerry	2013.03.08	
C	ECN NO: S140129	SEAN	2014.10.21	
D	ECN NO: S151159-C	JIE-FU	2015.12.30	
E	ECN NO: S160818-C	JIE-FU	2016.10.08	
F	ECN NO: S202104-R10/A	Jinshuai	2021.06.11	

I	MYLAR	1	KAPTON	YELLOW
H	SHIELDING	1	C5191-H 0.2t	60µm NICKEL Min.
G	TRANSFER TERMINAL	1	C5210-SH 0.2t	1-3µm GOLD PLATING ON CONTACT AREA
F	MAKE TERMINAL	1	C5191-H 0.2t	120µm TIN PLATING ON SOLDER TAIL AND 5µm Min. NICKEL UNDER PLATING.
E	RING SPRING	1	C5210-EH 0.2t	
D	SHUNT TERMINAL-A	1	C2680-H 0.25t	20µm Ag OVER 60µm NICKEL
C	TIP SPRING	1	C5210-EH 0.25t	20µm Min. Ag ALL OVER 50µm NICKEL
B	EARTH	1	C5210-H 0.2t	1-3µm GOLD OVER 60µm NICKEL Min.
A	BODY	1	PA10T+30%GF(R630NH) UL 94V-0	BLACK
UNLESS OTHERWISE SPECIFIED TOLERANCES		MATERIAL		
UNLESS OTHERWISE SPECIFIED TOLERANCES		PLATING & COLOR		
DECIMALS: ANGLES:		TITLE		
X :±0.5	X :±2°	3.5Ø PHONE JACK		
X.X :±0.3	X.X :±1°	DWG JINSHUAI PART NO. 2S13018-000311		
X.XX :±0.2		CHKD BRUCE SCALE: 4:1 UNIT: mm		
		APVD Max SIZE: A3 SHEET: 1 OF 1 REV: F		
CUSTOMER COPY				

Singatron Enterprise Co., Ltd.
信登企業股份有限公司