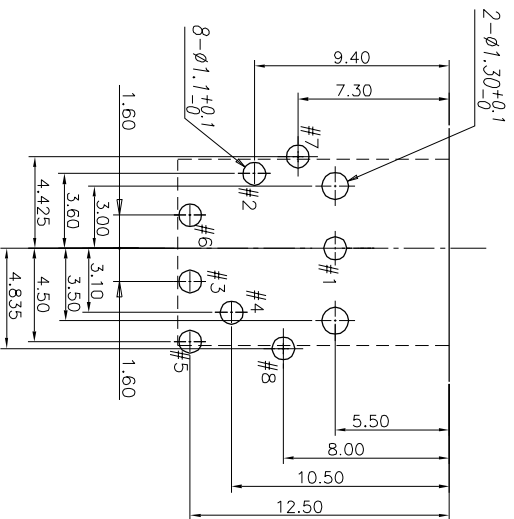
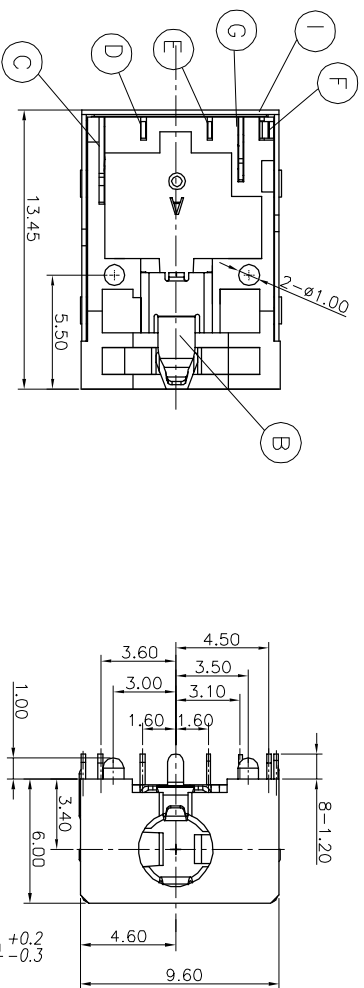


REV.	ECN NO.	OR DESCRIPTION	REVISED	DATE
A	PDR NO.T100726-1A	Spring	2011.03.04	
B	ECN NO.S141135	ANDY	2014.12.17	
C	ECN NO.S202104-R10	jinhuai	2021.06.11	

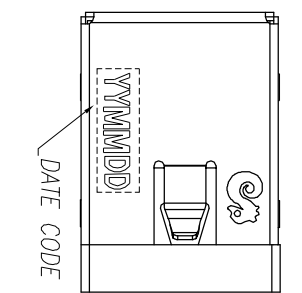
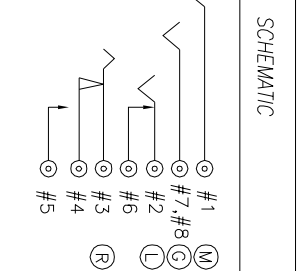
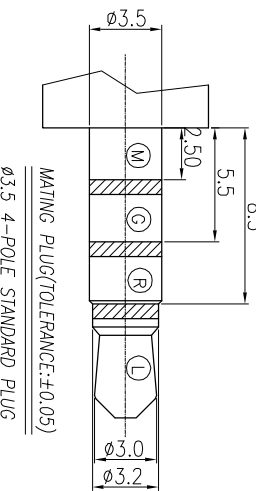
SPECIFICATIONS:

- ELECTRICAL CHARACTERISTICS:
 - 1-1. RATING: 12V 1A
 - 1-2. CONTACT RESISTANCE: 50mΩ Max (INITIAL).
 - 1-3. DIELECTRIC WITHSTANDING VOLTAGE: 500V AC FOR ONE MINUTE.
 - 1-4. INSULATION RESISTANCE: 100MΩ Min. MEASURED BY 500 VDC.
- MECHANICAL CHARACTERISTICS:
 - 2-1. INSERTION FORCE: 0.4~3.0 KGf.
 - 2-2. WITHDRAWAL FORCE: 0.3~2.0 KGf.
- LIFE TEST: 5,000 CYCLES Min.
- AFTER LIFE TEST, CONTACT RESISTANCE: 50mΩ Max.
- PACKAGING: TAPE & REEL.
- TO CONFORM TO SINGATRON HAZARDOUS SUBSTANCE FREE SPEC.
- HALOGEN FREE PRODUCT IDENTIFICATION MARK ON PRODUCT:
- HALOGEN FREE PRODUCT IDENTIFICATION LOGO ON PACKAGING:
- FOR LEAD-FREE PROCESS.



RECOMMENDED PCB LAYOUT (TOP VIEW)

(TOLERANCE:±0.05)



I	MYLAR	1	KAPTON	YELLOW
H	SHIELDING	1	PHOSPHOR BRONZE 0.2t	60µm NICKEL Min.
G	TRANSFER TERMINAL	1	PHOSPHOR BRONZE 0.2t	1-3µm GOLD PLATING ON CONTACT AREA
F	MAKE TERMINAL	1	PHOSPHOR BRONZE 0.2t	120µm WHITE TIN PLATING ON SQUARE TAIL AND 50µm Min. NICKEL UNDER PLATING.
E	RING SPRING	1	PHOSPHOR BRONZE 0.2t	
D	SHUNT TERMINAL-A	1	BRASS 0.25t	20µm Ag OVER 60µm NICKEL
C	TIP SPRING	1	PHOSPHOR BRONZE 0.25t	20µm Min. Ag ALL OVER 50µm NICKEL
B	EARTH	1	COPPER ALLOY 0.2t	1-3µm GOLD OVER 60µm NICKEL Min.
A	BODY	1	HIGH TEMP.THERMOPLASTIC UL 94V-0	BLACK
NO DESCRIPTION		QTY		MATERIAL
UNLESS OTHERWISE SPECIFIED TOLERANCES		SINGATRON ENTERPRISE CO., LTD. 信亨企業股份有限公司		
DECIMALS:		ANGLES:		
X	:±0.5	X	:±2°	
X.X	:±0.3	X.X	:±1°	
X.XX	:±0.2			
TITLE		3.5ø PHONE JACK		
DWN	jinhuai	PART NO.	2S13018-002311	
CHKD	Bruce	SCALE:	4:1 UNIT: mm	
APVD	Max	SIZE:	A3 SHEET: 1 OF 1 REV: C	
CUSTOMER COPY				

1 2 3 4 5 6 7 8