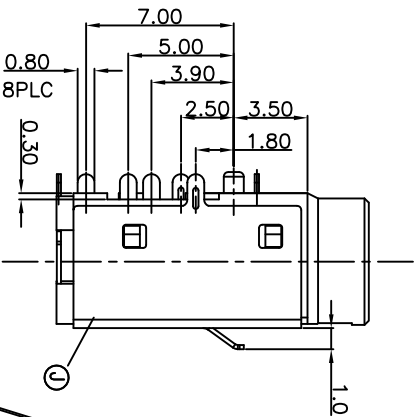
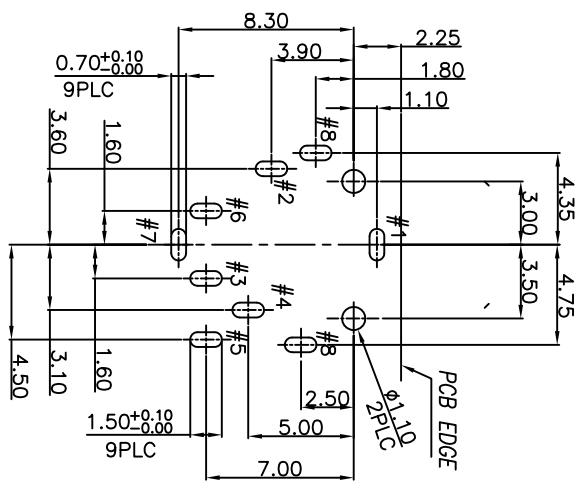
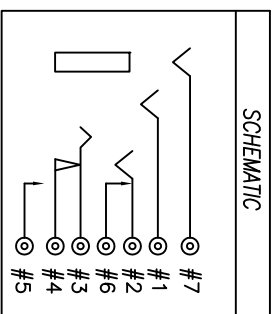
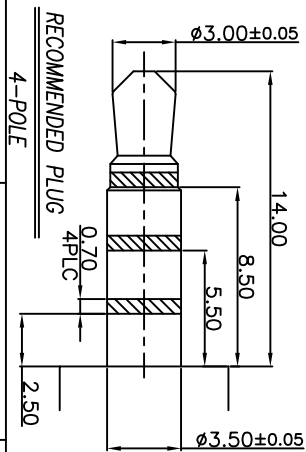


SPECIFICATIONS:

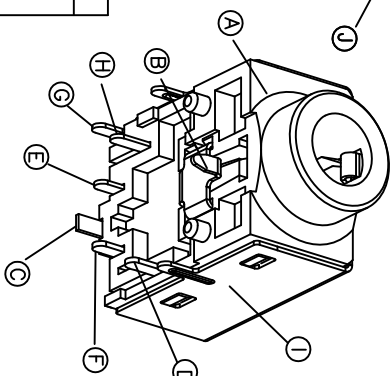
1. ELECTRICAL CHARACTERISTICS:
 - 1-1. RATING: 12V 1A
 - 1-2. CONTACT RESISTANCE: 30mΩ MAX (INITIAL)
 - 1-3. DIELECTRIC WITHSTANDING VOLTAGE: 500V AC FOR ONE MINUTE.
 - 1-4. INSULATION RESISTANCE: 100MΩ MIN. MEASURED BY 500 VDC
2. MECHANICAL CHARACTERISTICS:
 - 2-1. INSERTION FORCE : 0.3~3.0 KGF
 - 2-2. WITHDRAWAL FORCE : 0.2~3.0 KGF
3. LIFE TEST: 5,000 CYCLES MIN.
4. OTHER GENERAL SPEC. TO REFER "SINGATRON $\phi 2.5$ $\phi 3.5$ PHONE JACK SPEC."
5. TO CONFORM TO SINGATRON HAZARDOUS SUBSTANCE FREE SPEC.
6. HALOGEN FREE PRODUCT IDENTIFICATION MARK ON PRODUCT:
7. HALOGEN FREE PRODUCT IDENTIFICATION LOGO ON PACKAGING:
8. FOR REFLOW SOLDERING LEAD-FREE PROCESS.



RECOMMENDED PCB LAYOUT (TOP VIEW)
(TOLERANCE: ±0.05)



3D VIEW



J	MYLAR	1	T=0.40mm.	N/A
I	SHIELDING	1	PHOSPHOR BRONZE 0.2t	Ni 60u" MIN.
H	TRANSFER TERMINAL	1	PHOSPHOR BRONZE 0.2t	120u" Sn ON SOLDER GOLD FLASH ON CONTACT AREA ALL OVER 50u" Ni.
G	BREAK TERMINAL	1	PHOSPHOR BRONZE 0.2t	GOLD FLASH ON CONTACT AREA ALL OVER 50u" Ni.
F	SHUNT TERMINAL-A	1	BRASS 0.25t	GOLD FLASH ON CONTACT AREA ALL OVER 50u" Ni.
E	RING-B	1	PHOSPHOR BRONZE 0.2t	
D	TIP SPRING	1	PHOSPHOR BRONZE 0.25t	120u" Sn ON SOLDER GOLD FLASH ON CONTACT AREA ALL OVER 50u" Ni.
C	EARTH-A	1	PHOSPHOR BRONZE 0.2t	
B	RING-A	1	PHOSPHOR BRONZE 0.2t	
A	BODY	1	HIGH TEMP. THERMOPLASTIC UL 94V-0	BLACK

UNLESS OTHERWISE SPECIFIED TOLERANCES

DECIMALS: ANGLES:

X : ±0.5 X : ±2"
X.X : ±0.3 X.X : ±1"
X.XX : ±0.2

Singatron Enterprise Co., Ltd.
信音企業股份有限公司

Part No. 2SJ3020-002111

Scale: 4:1 Unit: mm
Size: A3 Sheet: 1 of 1 Rev: A

CUSTOMER COPY