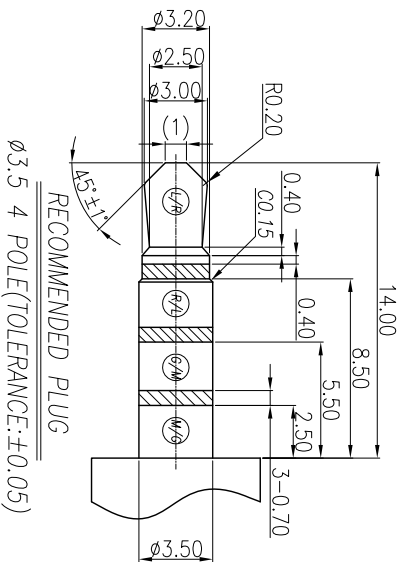
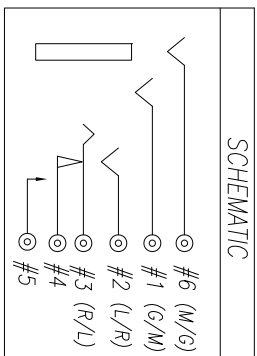


RECOMMEND PCB LAYOUT(T=1.00mm)
TOP VIEW (TOLERANCE:±0.05)

Stand off

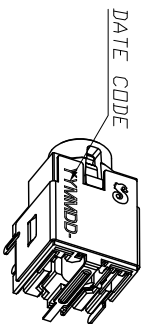


Ø3.5 4 POLE(TOLERANCE:±0.05)



SPECIFICATIONS:

- INSULATION RESISTANCE BETWEEN ANY ADJACENT OPEN CIRCUIT TERMINAL SHELL NOT BE LESS THAN 100MΩ MEASURED BY 500 VDC MEGGER.
- CONTACT RESISTANCE: 30m Ω MAX.
- INSULATION VOLTAGE WITHSTAND:500V AC FOR ONE MINUTE.
- UNLESS OTHERWISE SPECIFIED, TEST IS TO BE MADE AT 5-35°C IN TEMPERATURE AND 45-85% IN HUMIDITY. BUT,IF ANY VAGUE DATA IS OCCURED ON TEST RESULT, ANOTHER TEST SHALL BE MADE AT 20°C±2°C IN TEMP., 60-70% IN HUMIDITY.
- LIFE TEST: 5,000 CYCLES MIN.
- INSERTION FORCE: 0.4 - 3KGf.
- WITHDRAWAL FORCE: 0.3 - 2KGf.
- AFTER LIFE TEST, CONTACT RESISTANCE: 60m Ω MAX.
- AFTER HUMIDITY TEST, INSULATION RESISTANCE: 50M Ω MIN.
- MARKING: MARK "S" ON TOP OF CONNECTOR.
- PACKAGING : TAPE & REEL.
- TO CONFORM TO SINGATRON HAZARDOUS SUBSTANCE FREE SPEC
- HALOGEN FREE PRODUCT IDENTIFICATION MARK ON PRODUCT.
- HALOGEN FREE PRODUCT IDENTIFICATION LOGO ON PACKAGING.



NO	DESCRIPTION	QTY	MATERIAL	PLATING & COLOR
A	BODY	1	HIGH THERMOPLASTIC UL 94V-0	BLACK
B	TIP SPRING	1	PHOSPHOR BRONZE 0.25t	
C	EARTH-A	1	PHOSPHOR BRONZE 0.2t	
D	EARTH-B	1	PHOSPHOR BRONZE 0.2t	
E	RING SPRING	1	PHOSPHOR BRONZE 0.2t	
F	TRANSFER TERMINAL	1	PHOSPHOR BRONZE 0.2t	
G	MAKE TERMINAL	1	PHOSPHOR BRONZE 0.2t	
H	SHIELDING	1	BRASS 0.2t	

UNLESS OTHERWISE SPECIFIED TOLERANCES

DECIMALS:	ANGLES:
X : ±0.5	X : ±2°
X.X : ±0.3	X.X : ±1°
X.XX : ±0.2	

TITLE	PART NO.	SCALE:	UNIT:	SHEET:	REV:
Ø3.5 PHONE JACK	2S3020-01011F	4/1	mm	1 OF 1	A

CUSTOMER COPY

Singatron Enterprise Co., Ltd.
信亨企業股份有限公司