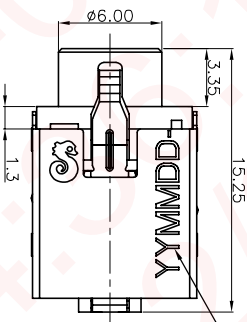
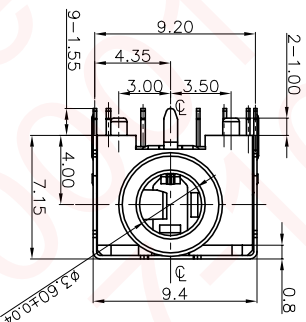
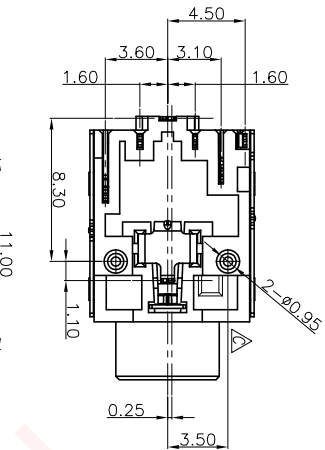
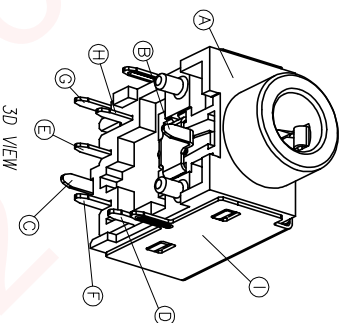


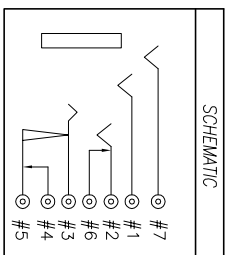
RECOMMENDED PLUG(±0.05)
Ø3.5 4-POLE STANDARD PLUG



DATE CODE



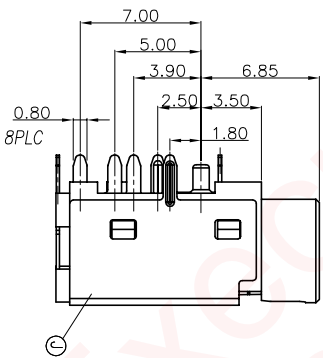
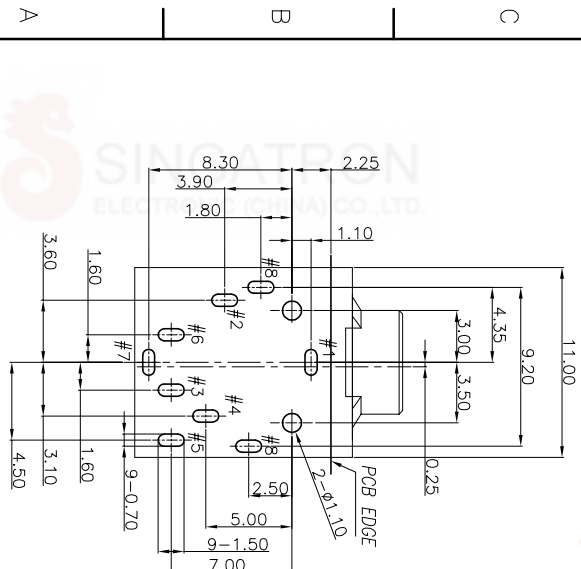
3D VIEW



SCHEMATIC

- SPECIFICATIONS:
- INSULATION RESISTANCE BETWEEN ANY ADJACENT OPEN CIRCUIT TERMINAL SHELL NOT BE LESS THAN 100MΩ
 - CONTACT RESISTANCE: 500 DCG MEGGER
 - CONTACT RESISTANCE: 30mΩ MAX.
 - INSULATION VOLTAGE WITHSTAND:500V AC FOR ONE MINUTE.
 - UNLESS OTHERWISE SPECIFIED, TEST IS TO BE MADE AT 5-35°C IN TEMPERATURE AND 45-85% IN HUMIDITY
 - BUT IF ANY TEST DATA IS OCCURED ON TEST RESULT, ANOTHER TEST SHALL BE MADE AT 20±2°C IN TEMP., 60-70% IN HUMIDITY.
 - LIFE TEST: 5000 CYCLES.
 - INSERTION FORCE: 0.3 - 3.0kg.
 - WITHDRAWAL FORCE: 0.3 - 3.0kg.
 - AFTER LIFE TEST, CONTACT RESISTANCE: 60mΩ MAX.
 - AFTER HUMIDITY TEST, INSULATION RESISTANCE: 500MΩ MIN.
 - MARKING: MARK "S" ON TOP OF CONNECTOR.
 - PACKAGING: TAPE & REEL.
 - TO CONFORM TO SINGARON HAZARDOUS SUBSTANCE FREE SPEC.
 - HALOGEN FREE PRODUCT IDENTIFICATION LOGO ON PACKAGING.

RECOMMENDED PCB LAYOUT(TOP VIEW)
(TOLERANCE: ±0.05)



J	MYLAR	1	T=0.40mm.	YELLOW
I	SHIELDING	1	COPPER ALLOY, 0.2t	NI 60U" MIN.
H	TRANSFER TERMINAL	1	COPPER ALLOY, 0.2t	120U" Sn ON SOLDER TAIL
G	BREAK TERMINAL	1	COPPER ALLOY, 0.2t	GOLD FLASH ON CONTACT AREA
F	SHUNT TERMINAL	1	COPPER ALLOY, 0.25t	GOLD FLASH ON CONTACT AREA
E	RING-B	1	COPPER ALLOY, 0.2t	OVER NI 50U" PLATING.
D	TIP SPRING	1	COPPER ALLOY, 0.25t	120U" Sn ON SOLDER TAIL
C	EARTH-A	1	COPPER ALLOY, 0.2t	GOLD FLASH ON CONTACT AREA
B	RING-A	1	COPPER ALLOY, 0.2t	ALL OVER NI 50U" PLATING.
A	BODY	1	HIGH TEMP.THERMOPLASTIC	BLACK
NO	DESCRIPTION	QTY	MATERIAL	PLATING & COLOR
UNLESS OTHERWISE SPECIFIED TOLERANCES				
Singatron Enterprise Co., Ltd. 信登企業股份有限公司				
DECIMALS: ANGLES: X :±0.5 X :±2' X.X :±0.3 X.X :±1' X.XX :±0.2				



Singatron Enterprise Co., Ltd.
信登企業股份有限公司

TITLE: Ø3.50 AUDIO JACK

DWN: Cerry PART NO. 2S3J3020-016111F

CHKD: X.X SCALE:4:1 UNIT: mm

APVD: Liao SIZE: A3 SHEET:1 OF 1 REV: B

CUSTOMER COPY