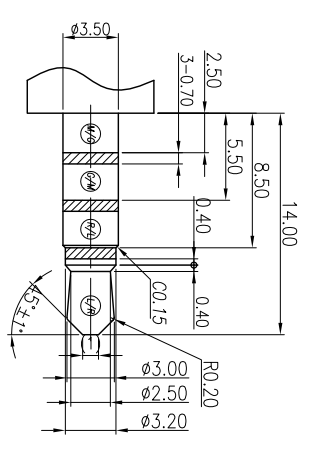
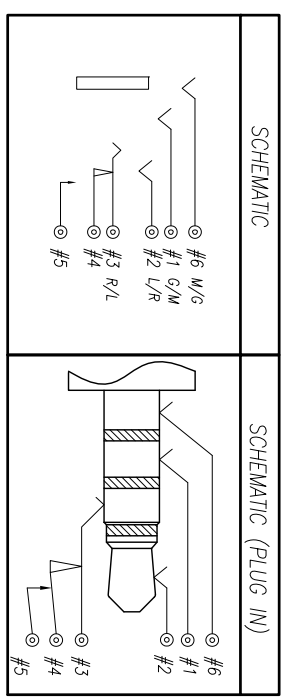


RECOMMENDED PCB LAYOUT(TOP VIEW)
(TOLERANCE: ±0.05)



RECOMMENDED PLUG
ø3.5 4 POLE(TOLERANCE:±0.05)



SPECIFICATIONS:

1. INSULATION RESISTANCE BETWEEN ANY ADJACENT OPEN CIRCUIT TERMINAL SHELL NOT BE LESS THAN 100MΩ MEASURED BY 500 VDC MEGGER.
2. CONTACT RESISTANCE: 50mΩ MAX.
3. INSULATION VOLTAGE WITHSTAND:500V AC FOR ONE MINUTE.
4. UNLESS OTHERWISE SPECIFIED, TEST IS TO BE MADE AT 5-35°C IN TEMPERATURE AND 45-85% IN HUMIDITY. BUT,IF ANY VAGUE DATA IS OCCURED ON TEST RESULT, ANOTHER TEST SHALL BE MADE AT 20C±2°C IN TEMP., 60-70% IN HUMIDITY.
5. LIFE TEST: 5,000 CYCLES MIN.
6. INSERTION FORCE: 0.4 - 3kgf.
7. WITHDRAWAL FORCE: 0.3 - 2kgf.
8. AFTER LIFE TEST, CONTACT RESISTANCE: 60mΩ MAX.
9. AFTER HUMIDITY TEST, INSULATION RESISTANCE: 50MΩ MIN.
10. MARKING: MARK "S" ON TOP OF CONNECTOR.
11. PACKAGING : TAPE & REEL.
12. TO CONFORM TO SINGATRON HAZARDOUS SUBSTANCE FREE SPEC
13. HALOGEN FREE PRODUCT IDENTIFICATION MARK ON PRODUCT:
14. HALOGEN FREE PRODUCT IDENTIFICATION LOGO ON PACKAGING:

H	SHELL	1	PHOSPHOR BRONZE 0.2t	Ni 60u"Min.
G	EARTH-B	1	PHOSPHOR BRONZE 0.2t	
F	TRANSFER TERMINAL	1	PHOSPHOR BRONZE 0.2t	
E	MAKE TERMINAL	1	PHOSPHOR BRONZE 0.2t	Audio Min ON CONTACT AREA: Mate Tin 100u" on SOLDER TAIL: ALL OVER Ni 60u"
D	RING SPRING	1	PHOSPHOR BRONZE 0.2t	
C	TIP SPRING	1	PHOSPHOR BRONZE 0.25t	
B	EARTH-A	1	COPPER ALLOY 0.2t	Audio Min Over Ni 60u"
A	BODY	1	HIGH TEMP.THERMOPLASTIC UL 94V-0	BLACK
NO	DESCRIPTION	QTY	MATERIAL	PLATING & COLOR
UNLESS OTHERWISE SPECIFIED TOLERANCES				
Singatron Enterprise Co., Ltd. 				
DECIMALS:	ANGLES:	TITLE		
X :±0.5	X :±2°	ø3.5 AUDIO JACK		
XX :±0.3	XX :±1°	DWN	SEAN	PART NO.2SJ3020-017111F
XXX :±0.2		CHKD	CERRY	SCALE:3:1 UNIT: mm
		APVD	MAX	SIZE: A3 SHEET:1 OF 1 REV:B
CUSTOMER COPY				

REV.	ECN NO OR DESCRIPTION	REVISED	DATE
A	PDR NO:S120921-6A	Aaron	2012.12.12
B	ECN NO:S130610	SEAN	2013.11.20