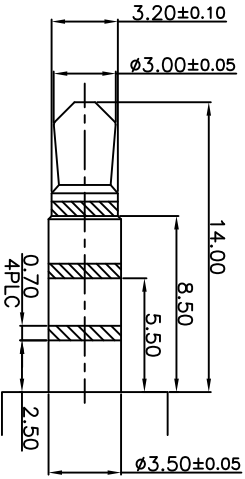
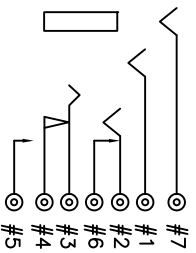


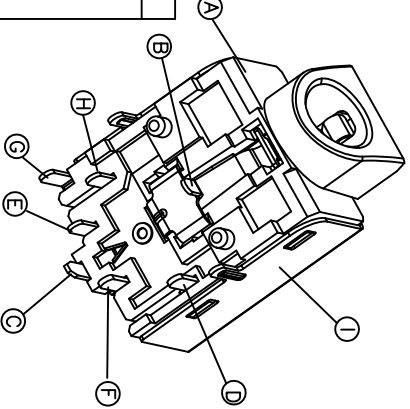
RECOMMENDED PCB LAYOUT(TOP VIEW)
(TOLERANCE: ±0.05)



SCHEMATIC



3D VIEW



SPECIFICATIONS:

1. ELECTRICAL CHARACTERISTICS:
 - 1-1. RATING: 12V 1A
 - 1-2. CONTACT RESISTANCE: 30mΩ MAX.(INITIAL)
 - 1-3. DIELECTRIC WITHSTANDING VOLTAGE: 500V AC FOR ONE MINUTE.
 - 1-4. INSULATION RESISTANCE: 100MΩ MIN. MEASURED BY 500 VDC
2. MECHANICAL CHARACTERISTICS:
 - 2-1. INSERTION FORCE : 0.3~3.0 KGf
 - 2-2. WITHDRAWAL FORCE : 0.3~3.0 KGf
3. LIFE TEST: 5,000 CYCLES MIN.
4. OTHER GENERAL SPEC. TO REFER "SINGATRON Ø2.5 Ø3.5 PHONE JACK SPEC."
5. TO CONFORM TO SINGATRON HAZARDOUS SUBSTANCE FREE SPEC.
6. HALOGEN FREE PRODUCT IDENTIFICATION MARK ON PRODUCT: Ⓞ
7. HALOGEN FREE PRODUCT IDENTIFICATION LOGO ON PACKAGING: ♻️
8. FOR REFLOW SOLDERING LEAD-FREE PROCESS.

J	MYLAR	1	T=0.40mm.	N/A
I	SHIELDING	1	PHOSPHOR BRONZE 0.2t	W/ 60u" MIN.
H	TRANSFER TERMINAL	1	PHOSPHOR BRONZE 0.2t	120u" Sn ON SOLDER GOLD FLASH ON CONTACT AREA
G	BREAK TERMINAL	1	PHOSPHOR BRONZE 0.2t	ALL OVER 50u" W.
F	SHUNT TERMINAL-A	1	BRASS 0.25t	
E	RING-B	1	PHOSPHOR BRONZE 0.2t	
D	TIP SPRING	1	PHOSPHOR BRONZE 0.25t	120u" Sn ON SOLDER GOLD FLASH ON CONTACT AREA
C	EARTH-A	1	PHOSPHOR BRONZE 0.2t	ALL OVER 50u" W.
B	RING-A	1	PHOSPHOR BRONZE 0.2t	
A	BODY	1	PA9T-G1300H UL HB	GRAY 6C
NO	DESCRIPTION	QTY	MATERIAL	PLATING & COLOR
UNLESS OTHERWISE SPECIFIED TOLERANCES				
DECIMALS:		ANGLES:		
X	:±0.5	X	:±2°	
X X	:±0.3	X X	:±1°	
X X X	:±0.2			
TITLE		Ø3.50 AUDIO JACK		
DWN	Owen	PART NO.	2S13020-025111F	
CHKD	Bruce	SCALE:	4:1	
APVD	Lussen	SIZE:	A3	
SHEET:		1 OF 1		
REV:		A		

Singatron Enterprise Co., Ltd.
信普企業股份有限公司

CUSTOMER COPY

REV.	ECN NO.	OR DESCRIPTION	REVISED	DATE
A	PDR NO:130102-11A		Owen	2013.08.16