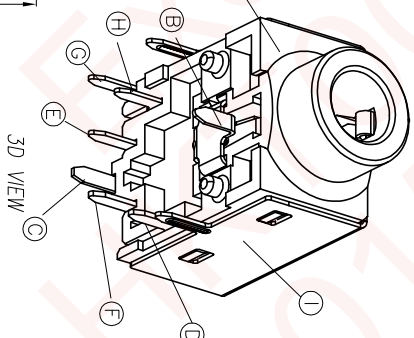
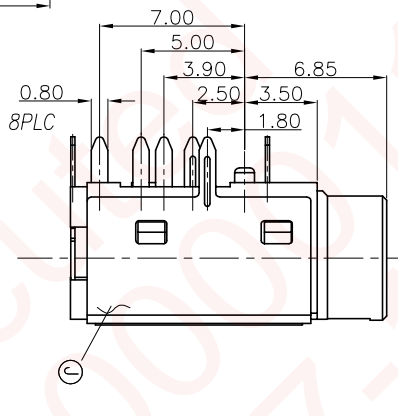
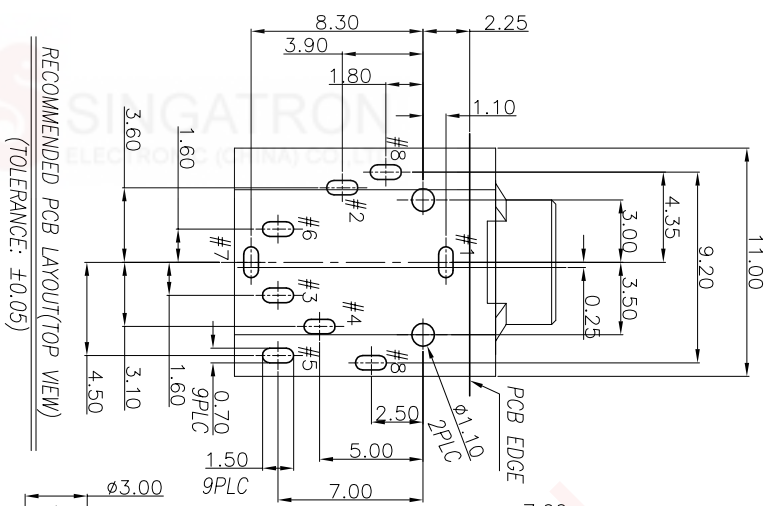


**SPECIFICATIONS:**

- INSULATION RESISTANCE BETWEEN ANY ADJACENT OPEN CIRCUIT TERMINAL SHELL NOT BE LESS THAN 100MΩ MEASURED BY 500 VDC.
- CONTACT RESISTANCE: 50mΩ MAX.
- INSULATION VOLTAGE WITHSTAND: 500V AC FOR ONE MINUTE.
- UNLESS OTHERWISE SPECIFIED, TEST IS TO BE MADE AT 5-35°C IN TEMPERATURE AND 45-85% IN HUMIDITY. BUT IF ANY VAGUE DATA IS OCCURRED ON TEST RESULT, ANOTHER TEST SHALL BE MADE AT 20°C±2°C IN TEMP., 60-70% IN HUMIDITY.
- LIFE TEST: 5,000 CYCLES MIN.
- INSERTION FORCE: 0.3 - 3Kg.
- WITHDRAWAL FORCE: 0.3 - 2Kg.
- AFTER LIFE TEST, CONTACT RESISTANCE: 60mΩ MAX.
- AFTER HUMIDITY TEST, INSULATION RESISTANCE: 50mΩ MIN.
- MARKING: MARK "S" ON TOP OF CONNECTOR.
- PACKAGING: TAPE & REEL.
- TO CONFORM TO SINGATRON HAZARDOUS SUBSTANCE FREE SPEC.
- HALOGEN FREE PRODUCT IDENTIFICATION MARK ON PRODUCT.
- HALOGEN FREE PRODUCT IDENTIFICATION LOGO ON PACKAGING.



RECOMMENDED PCB LAYOUT(TOP VIEW)  
(TOLERANCE: ±0.05)

K	NYLAR	1	T=0.075mm.	N/A
J	NYLAR	1	T=0.40mm.	N/A
I	SHIELDING	1	COPPER ALLOY 0.2t	Ni 60u" MIN.
H	TRANSFER TERMINAL	1	COPPER ALLOY 0.2t	120u" Sn ON SOLDER GOLD FLASH ON CONTACT AREA
G	BREAK TERMINAL	1	COPPER ALLOY 0.2t	ALL OVER 50u" Ni.
F	SHUNT TERMINAL-A	1	COPPER ALLOY 0.25t	GOLD FLASH ON CONTACT AREA OVER 50u" Ni.
E	RING-B	1	COPPER ALLOY 0.2t	120u" Sn ON SOLDER Au 30u" Min. ON CONTACT AREA ALL OVER 50u" Ni.
D	TIP SPRING	1	COPPER ALLOY 0.25t	GOLD FLASH ON SOLDER Au 30u" Min. ON CONTACT AREA ALL OVER 50u" Ni.
C	EARTH-A	1	COPPER ALLOY 0.2t	120u" Sn ON SOLDER Au 30u" Min. ON CONTACT AREA ALL OVER 50u" Ni.
B	RING-A	1	COPPER ALLOY 0.2t	ALL OVER 50u" Ni.
A	BODY	1	HIGH TEMP.THERMOPLASTIC UL 94V-0	BLACK
NO	DESCRIPTION	QTY	MATERIAL	PLATING & COLOR

UNLESS OTHERWISE SPECIFIED TOLERANCES

DECIMALS:	ANGLES:
X :±0.5	X :±2°
X.X :±0.3	X.X :±1°
X.XX :±0.2	

REV.	ECN NO	OR DESCRIPTION	REVISED	DATE
A	PDR NO: T130723-5A		Kevin	2013.09.13
B	ECN NO: S150453-W		Cerry	2015.07.01

Singatron Enterprise Co., Ltd.  
信登企業股份有限公司

φ3.50 AUDIO JACK

TITLE	φ3.50 AUDIO JACK
DWN	Cerry
CHKD	SCALE:4:1
APVD	Liao
SHEET: 1 OF 1	
REV: B	
CUSTOMER COPY	