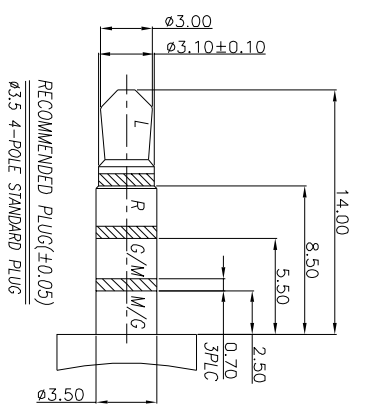
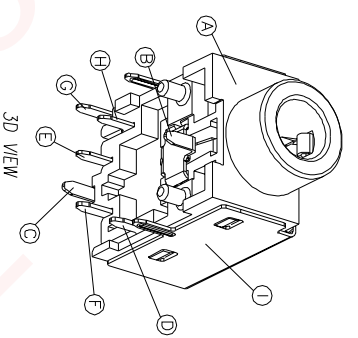
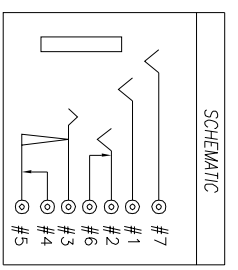


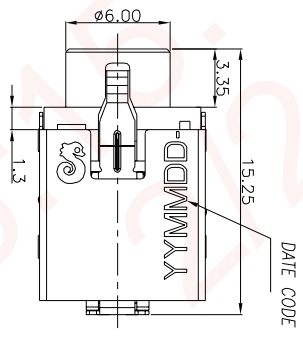
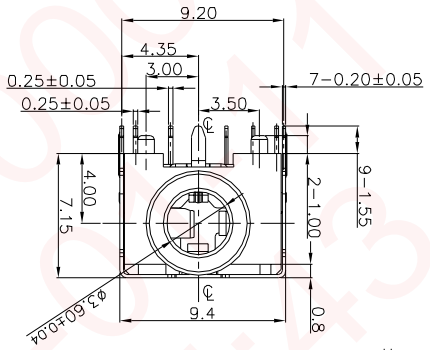
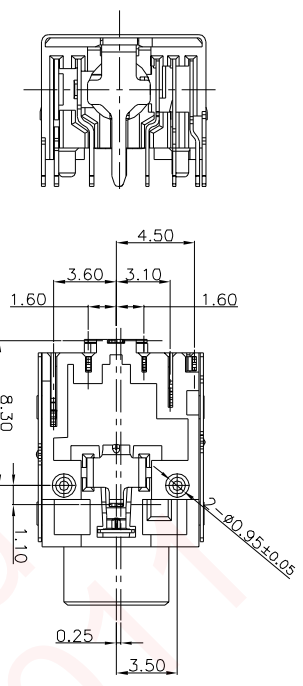
REV.	ECN NO.	OR DESCRIPTION	REVISED	DATE
A	PDR NO: T141111-9A	MARS	2015.01.23	
B	ECN NO: S150518-C	JIE-FU	2015.06.30	
C	ECN NO: S151117-C	Ken	2015.12.29	



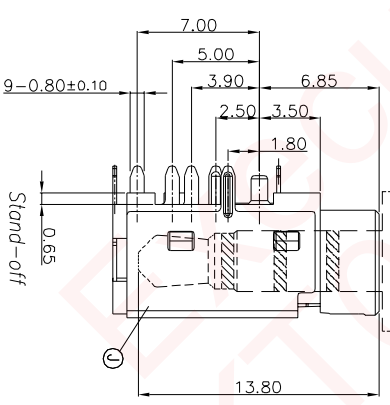
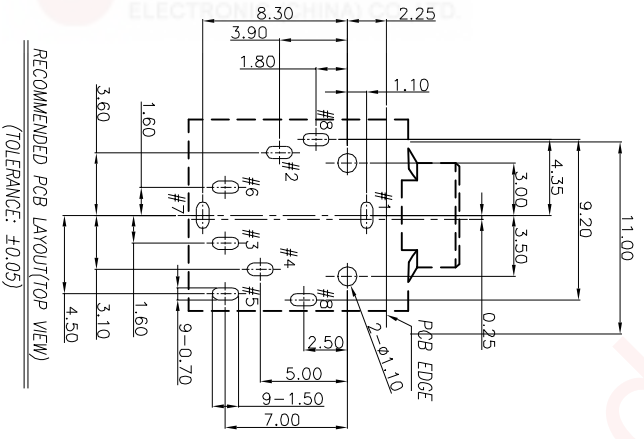
RECOMMENDED PLUG(±0.05)
Ø3.5 4-POLE STANDARD PLUG



3D VIEW



- SPECIFICATIONS:
- INSULATION RESISTANCE BETWEEN ANY ADJACENT OPEN CIRCUIT TERMINAL SHELL NOT BE LESS THAN 100MΩ
 - CONTACT RESISTANCE: 50mΩ MAX.
 - INSULATION VOLTAGE WITHSTAND:500V AC FOR ONE MINUTE.
 - UNLESS OTHERWISE SPECIFIED, TEST IS TO BE MADE AT 5-35°C IN TEMPERATURE AND 45-85% IN HUMIDITY. BUT IF ANY VAGUE DATA IS OCCURED ON TEST RESULT, ANOTHER TEST SHALL BE MADE AT 20°C±2°C IN TEMP., 60-70% IN HUMIDITY.
 - LIFE TEST: 5,000 CYCLES.
 - INSERTION FORCE: 0.3 - 3.0Kg.
 - WITHDRAWAL FORCE: 0.3 - 3.0Kg.
 - AFTER LIFE TEST, CONTACT RESISTANCE: 60mΩ MAX.
 - AFTER HUMIDITY TEST, INSULATION RESISTANCE: 50MΩ MIN.
 - MARKING: MARK "S" ON TOP OF CONNECTOR.
 - PACKAGING : TAPE & REEL.
 - TO CONFORM TO SINGATRON HAZARDOUS SUBSTANCE FREE SPEC.
 - HALOGEN FREE PRODUCT IDENTIFICATION MARK ON PRODUCT: ☉
 - HALOGEN FREE PRODUCT IDENTIFICATION LOGO ON PACKAGING: ♻️



NO	DESCRIPTION	QTY	MATERIAL	PLATING & COLOR
A	BODY	1	PA10T+30%GF (R630-NH)	BLACK
B	RING-A	1	UL 94V-0	
C	EARTH-A	1	C5210-H, 0.2t	ALL OVER 500" Ni.
D	TIP SPRING	1	C5210-EH, 0.25t	MATE SN 120μ MIN ON SOLDER TAIL. GOLD FLASH ON CONTACT AREA.
E	RING-B	1	C5210-EH, 0.2t	MATE SN 120μ MIN ON SOLDER TAIL.
F	SHUNT TERMINAL	1	C2680-H, 0.25t	GOLD TESTED ON CONTACT AREA OVER IN 500 PLATING.
G	BREAK TERMINAL	1	C5210-EH, 0.2t	ALL OVER 500" Ni.
H	TRANSFER TERMINAL	1	C5210-H, 0.2t	MATE SN 120μ MIN ON SOLDER TAIL. GOLD FLASH ON CONTACT AREA.
I	SHIELDING	1	C5191-H, 0.2t	Ni 60μ MIN.
J	MYLAR	1	T=0.40mm.	YELLOW

UNLESS OTHERWISE SPECIFIED TOLERANCES

DECIMALS: ANGLES:
X :±0.5 X :±2°
X.X :±0.3 X.X :±1°
X.XX :±0.2

TITLE	PART NO.	SCALE	UNIT	SHEET	REV.
Ø3.50 AUDIO JACK	2SJ3020-033111F	4:1	mm	1 OF 1	C

CUSTOMER COPY

Singatron Enterprise Co., Ltd.
信音企業股份有限公司