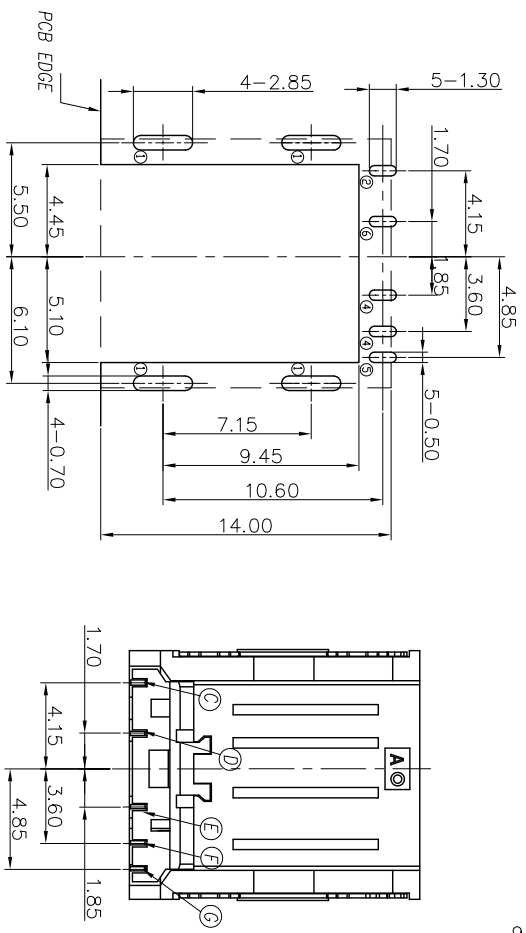
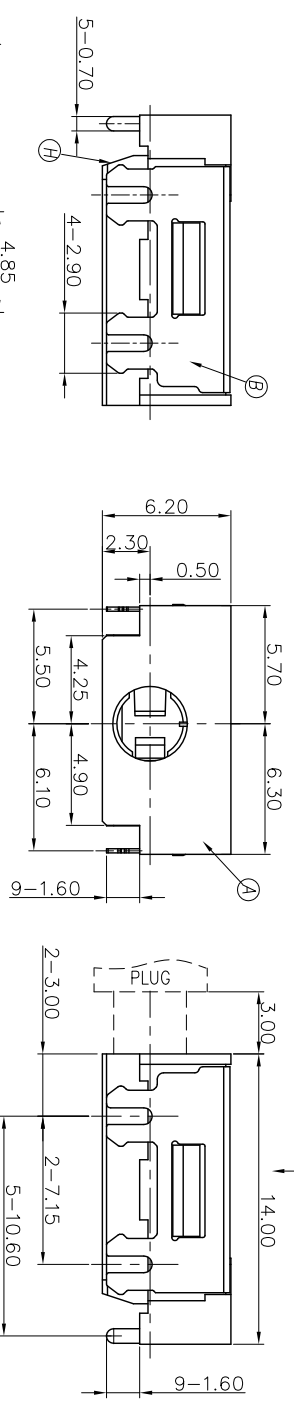


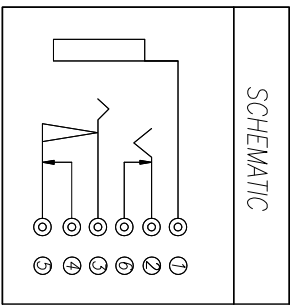
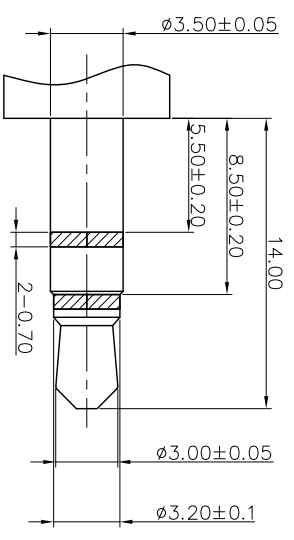
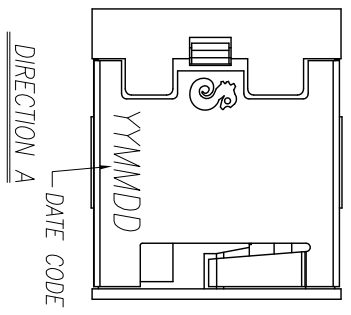
REV	ECN NO	OR DESCRIPTION	REVISED	DATE
A	PDR NO. T100610-4A	Bruce	2011.01.19	
B	ECN NO. S120823	Angus	2012.10.12	

SPECIFICATIONS:

- INSULATION RESISTANCE BETWEEN ANY ADJACENT OPEN CIRCUIT TERMINAL SHELL NOT BE LESS THAN 100MΩ MEASURED BY 500 VDC MEGGER.
- INSULATION VOLTAGE WITHSTAND:
500V AC FOR ONE MINUTE.
- CONTACT RESISTANCE: 30mΩ MAX (INITIAL).
- UNLESS OTHERWISE SPECIFIED, TEST IS TO BE MADE AT 5-35°C IN TEMPERATURE AND 45-85% IN HUMIDITY. BUT IF ANY VAGUE DATA IS OCCURRED ON TEST RESULT, ANOTHER TEST SHALL BE MADE AT 20°C±2°C IN TEMP., 60-70% IN HUMIDITY.
- LIFE TEST: 5100 CYCLES MIN. (NON-LOAD)
- INSERTION FORCE: 0.4 - 3kgf
- WITHDRAWAL FORCE: 0.3 - 2kgf
- AFTER LIFE TEST, CONTACT RESISTANCE: 100mΩ MAX.
- AFTER HUMIDITY TEST, INSULATION RESISTANCE: 50MΩ MIN.
- MARKING: MARK "S" ON TOP OF CONNECTOR.
- PACKAGING: TAPE & REEL.
- TO CONFORM TO SINGATRON HAZARDOUS SUBSTANCE FREE SPEC
- HALOGEN FREE PRODUCT IDENTIFICATION MARK ON PRODUCT:
- HALOGEN FREE PRODUCT IDENTIFICATION LOGO ON PACKAGING:
- FOR LEAD-FREE PROCESS.



RECOMMENDED PCB LAYOUT
TOP VIEW : TOL.±0.05



NO	DESCRIPTION	QTY	MATERIAL	PLATING & COLOR
A	BODY	1	HIGH TEMP-THERMOPLASTIC UL 94V-0	BLACK
B	SHELL	1	PHOSPHOR BRONZE 0.2t	GOLD FLASH ON CONTACT AREA ALL OVER SLD. IN MIN. (100μ)
C	SHUNT SPRING	1	PHOSPHOR BRONZE 0.2t	Ni 60μ/min OVER ALL
D	SHUNT TERMINAL	1	PHOSPHOR BRONZE 0.2t	
E	RING SPRING	1	PHOSPHOR BRONZE 0.2t	
F	TRANSFER TERMINAL	1	PHOSPHOR BRONZE 0.2t	
G	BREAK TERMINAL	1	PHOSPHOR BRONZE 0.2t	
H	COVER	1	HIGH TEMP-THERMOPLASTIC UL 94V-0	BLACK

UNLESS OTHERWISE SPECIFIED TOLERANCES

DECIMALS:	ANGLES:	TITLE
X : ±0.5	X : ±2°	3.50 PHONE JACK
X.X : ±0.3	X.X : ±1'	PART NO. 2S13022-000111
X.XX : ±0.2		SCALE: 4:1
		UNIT: mm
		SIZE: A3
		SHEET: 1 OF 1
		REV: B

Singatron Enterprise Co., Ltd.
信登企業股份有限公司

CUSTOMER COPY