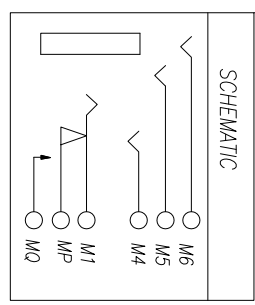
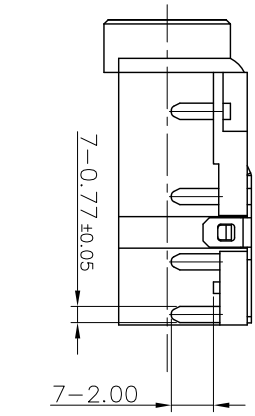
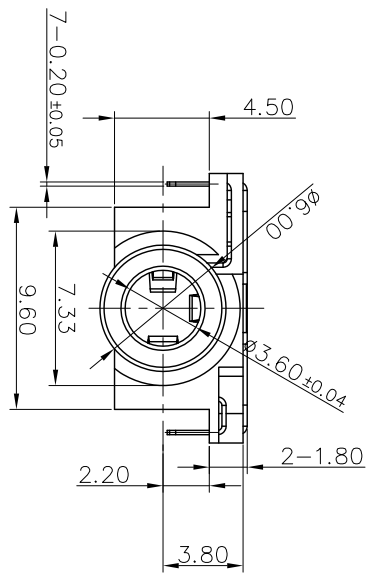
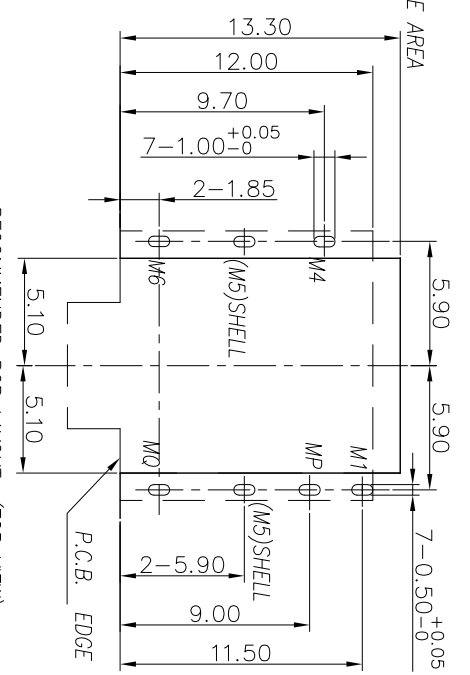
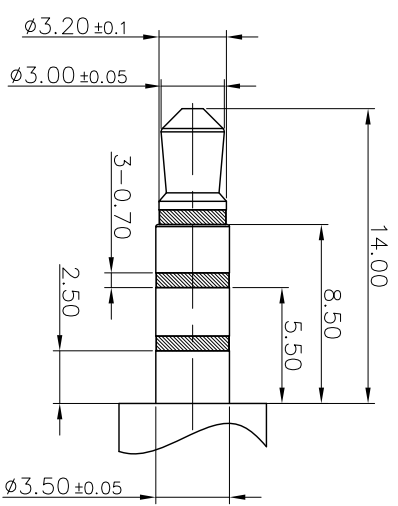
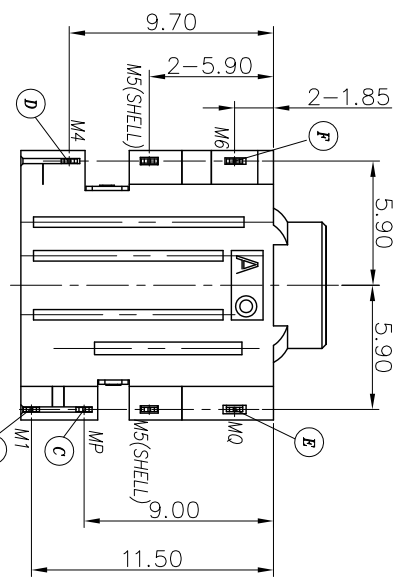


RECOMMENDED PCB LAYOUT (TOP VIEW)  
(TOLERANCE: ±0.05)



- SPECIFICATIONS:
- INSULATION RESISTANCE BETWEEN ANY ADJACENT OPEN CIRCUIT TERMINAL SHELL NOT BE LESS THAN 100MΩ MEASURED BY 500 VDC MEGGER.
  - CONTACT RESISTANCE: 50m Ω MAX.
  - INSULATION VOLTAGE WITHSTAND: 500V AC FOR ONE MINUTE.
  - LIFE TEST: 5,000 CYCLES MIN. (NON-LOAD)
  - INSERTION FORCE: 0.4 - 3.0kg.
  - WITHDRAWAL FORCE: 0.3 - 3.0kg.
  - PACKAGING: TAPE & REEL.
  - TO CONFORM TO SINGATRON HAZARDOUS SUBSTANCE FREE SPEC.
  - HALOGEN FREE PRODUCT IDENTIFICATION MARK ON PRODUCT: ©
  - HALOGEN FREE PRODUCT IDENTIFICATION LOGO ON PACKING: ©



MATING PLUG(TOLERANCE:±0.05)  
Ø3.5 4-POLE STANDARD PLUG

NO	DESCRIPTION	QTY	MATERIAL	PLATING & COLOR
A	BODY	1	HIGH TEMP.THERMOPLASTIC UL 94V-0	BLACK
B	RING SPRING &SEPARATOR	1	HIGH TEMP.THERMOPLASTIC	BLACK
C	TRANSFER	1	COPPER ALLOY, 0.2t	GOLD FLASH ON CONTACT, AND SOLDER IN ALL AREA ALL OVER 60μ NICKEL PLATING.
D	TIP	1	COPPER ALLOY, 0.2t	
E	BREAK TERMINAL	1	COPPER ALLOY, 0.2t	
F	EARTH	1	COPPER ALLOY, 0.2t	
G	SHIELDING	1	KAPTON 0.06T	L*W: 12.5*4.5
H	MYLAR	1		

UNLESS OTHERWISE SPECIFIED TOLERANCES

DECIMALS: ANGLES:

X :±0.5 X :±2'  
X.X :±0.3 X.X :±1'  
X.XX :±0.2

Singatron Enterprise Co., Ltd.  
信晉企業股份有限公司

TITLE: 3.5Ø PHONE JACK

DWN: BRUCE PART NO.2S13032-004111F  
CHKD: LUSSEN SCALE: 4:1 UNIT: mm  
APVD: TONY SIZE: A3 SHEET: 1 OF 1 REV: A

CUSTOMER COPY(FOR PEGATRON)

REV.	ECN NO OR DESCRIPTION	REVISED	DATE
A	PDR T101202-11B	BRUCE	2011.9.15