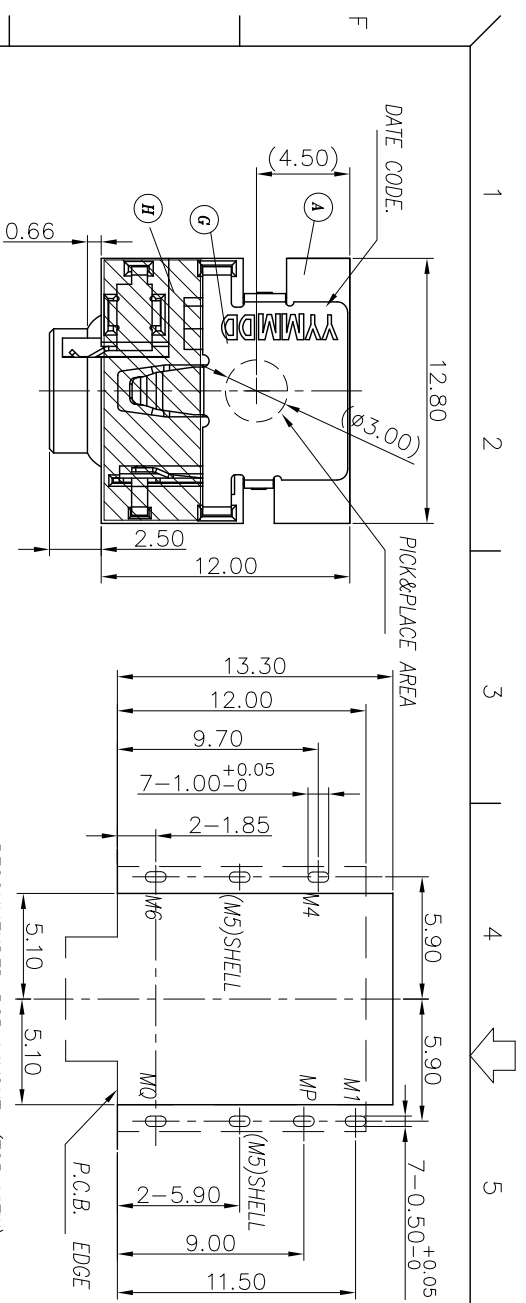
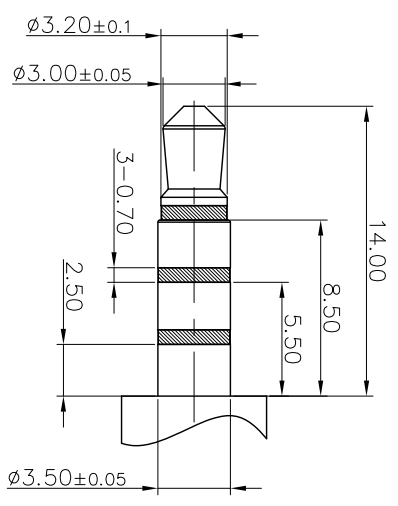
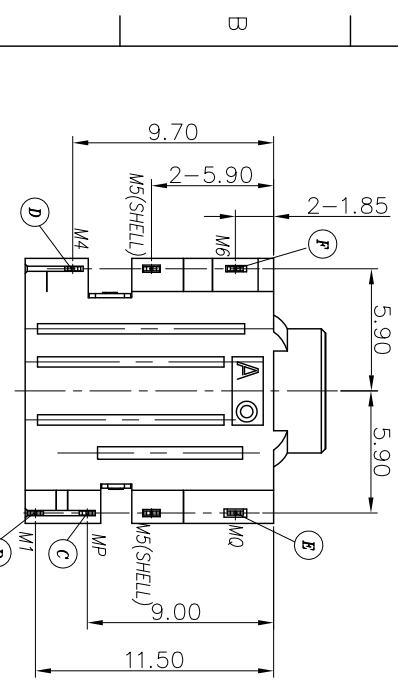
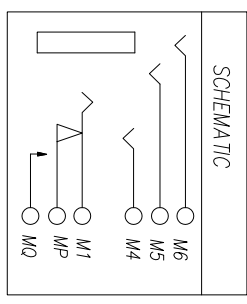
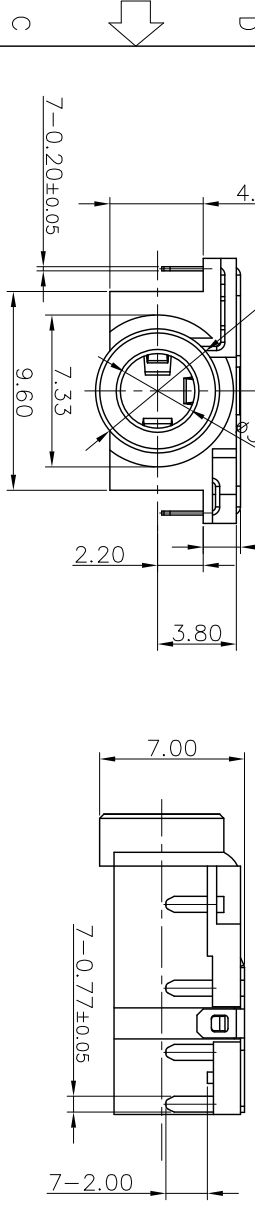


REV: EGN NO OR DESCRIPTION	REVISED	DATE
A PDR: T140918-5A	Jie	2014.11.22

- SPECIFICATIONS:
- INSULATION RESISTANCE BETWEEN ANY ADJACENT OPEN CIRCUIT TERMINAL SHELL NOT BE LESS THAN 100MΩ MEASURED BY 500 VDC MEGGER.
 - CONTACT RESISTANCE: 50mΩ MAX.
 - INSULATION VOLTAGE WITHSTAND: 500V AC FOR ONE MINUTE.
 - LIFE TEST: 5,000 CYCLES MIN. (NON-LOAD)
 - INSERTION FORCE: 0.4 - 3.0kg.
 - WITHDRAWAL FORCE: 0.3 - 3.0kg.
 - PACKAGING: TAPE & REEL.
 - TO CONFORM TO SINGATRON HAZARDOUS SUBSTANCE FREE SPEC.
 - HALOGEN FREE PRODUCT IDENTIFICATION MARK ON PRODUCT: ©
 - HALOGEN FREE PRODUCT IDENTIFICATION LOGO ON PACKING: ©



RECOMMENDED PCB LAYOUT (TOP VIEW)
(TOLERANCE: ±0.05)



MATING PLUG(TOLERANCE: ±0.05)
Ø3.5 4-POLE STANDARD PLUG

H	MYLAR	1	KAPTON 0.06T	L*W: 12.5*4.5
G	SHIELDING	1	COPPER ALLOY, 0.2t	GOLD FLASH ON CONTACT, OVER 60u" NICKEL PLATING.
F	EARTH	1	COPPER ALLOY, 0.2t	
E	BREAK TERMINAL	1	COPPER ALLOY, 0.2t	GOLD FLASH ON CONTACT,
D	TIP	1	COPPER ALLOY, 0.2t	AND SOLDER TAIL AREA,
C	TRANSFER	1	COPPER ALLOY, 0.2t	ALL OVER 60u" NICKEL PLATING
B	RING SPRING & SEPARATOR	1	COPPER ALLOY, 0.2t	BLACK
A	BODY	1	HIGH TEMP.THERMOPLASTIC UL 94V-0	BLACK
NO	DESCRIPTION	QTY	MATERIAL	PLATING & COLOR

UNLESS OTHERWISE SPECIFIED TOLERANCES

Singatron Enterprise Co., Ltd.
信音企業股份有限公司

TITLE	3.5Ø PHONE JACK		
DMN	Jie	PART NO.2SJ3032-009111F	
CHKD	Bruce	SCALE: 4:1	UNIT: mm
APVD	Lussen	SIZE: A3	SHEET: 1 OF 1

CUSTOMER COPY