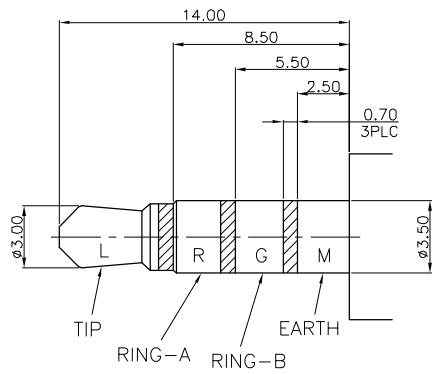
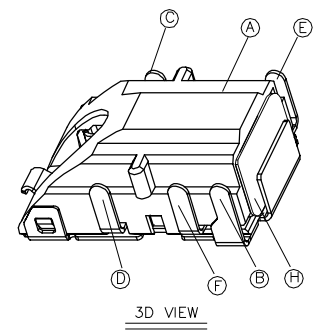
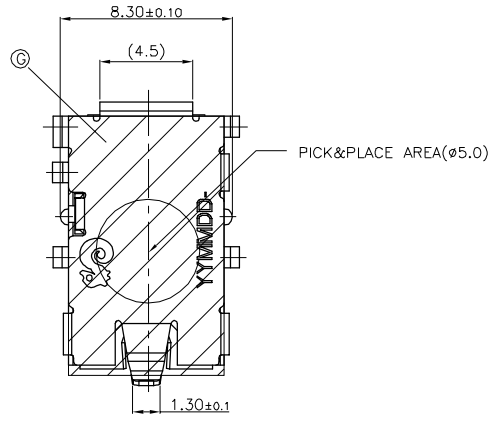


REV.	ECN NO OR DESCRIPTION	REVISED	DATE
A	PDR NO: T110126-3A	Lussen	2011.09.14
B	ECN NO: S131268	ANDY	2014.04.23

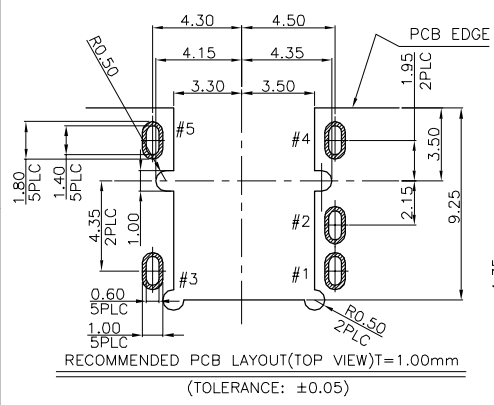
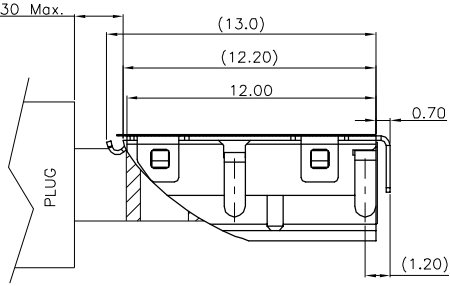
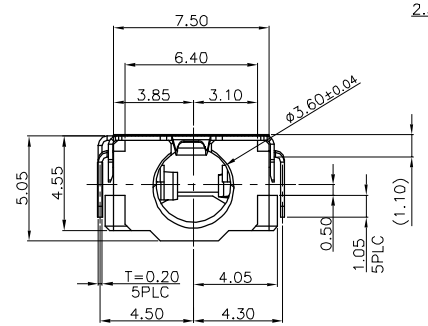
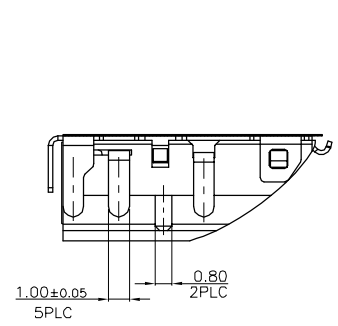


RECOMMENDED PLUG
4-POLE(±0.05)

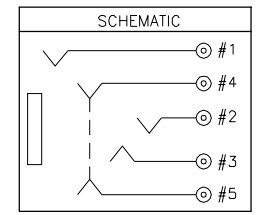
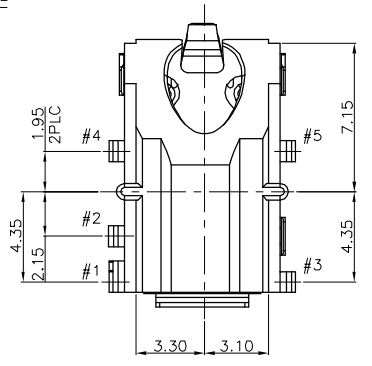


3D VIEW

- SPECIFICATIONS:
- INSULATION RESISTANCE BETWEEN ANY ADJACENT OPEN CIRCUIT TERMINAL SHELL NOT BE LESS THAN 100M MEASURED BY 500 VDC MEGGER.
 - CONTACT RESISTANCE: 50mΩ MAX.
 - INSULATION VOLTAGE WITHSTAND:500V AC FOR ONE MINUTE.
 - UNLESS OTHERWISE SPECIFIED. TEST IS TO BE MADE AT 5-35°C IN TEMPERATURE AND 45-85% IN HUMIDITY. BUT,IF ANY VAGUE DATA IS OCCURED ON TEST RESULT, ANOTHER TEST SHALL BE MADE AT 20°C±2°C IN TEMP., 60-70% IN HUMIDITY.
 - LIFE TEST: 5,000 CYCLES MIN.
 - INSERTION FORCE: 0.3 - 3Kg.
 - WITHDRAWAL FORCE: 0.3 - 2Kg.
 - AFTER LIFE TEST, CONTACT RESISTANCE: 60mΩ MAX.
 - AFTER HUMIDITY TEST, INSULATION RESISTANCE: 50MΩ MIN.
 - MARKING: MARK "S" ON TOP OF CONNECTOR.
 - PACKING : TAPE & REEL.
 - TO CONFORM TO SINGATRON HAZARDOUS SUBSTANCE FREE SPEC.
 - HALOGEN FREE PRODUCT IDENTIFICATION MARK ON PRODUCT:
 - HALOGEN FREE PRODUCT IDENTIFICATION LOGO ON PACKAGING:



RECOMMENDED PCB LAYOUT(TOP VIEW)T=1.00mm
(TOLERANCE: ±0.05)



H	MYLAR-2	1	KEPTON	YELLOW
G	MYLAR-1	1	KEPTON	YELLOW
F	TIP SPRING	1	C5210-EH,T=0.20	GOLD FLASH OVER 50u" NICKET PLATING.
E	RING-A	1	C5210-EH,T=0.20	GOLD FLASH ON CONTACT AREA;
D	R-RING-B	1	C5210-EH,T=0.20	MATTE TIN 120u" SOLDER TAIL AREA
C	L-RING-B	1	C5210-EH,T=0.20	ALL OVER 50u" NICKET PLATING.
B	EARTH	1	PHOSPHOR BRONZE 0.2t	Ni 50u" Min.
A	BODY	1	HIGH TEMP.THERMOPLASTIC UL 94V-0	BLACK COLOR
NO	DESCRIPTION	QTY	MATERIAL	PLATING & COLOR

UNLESS OTHERWISE SPECIFIED TOLERANCES		Singatron Enterprise Co., Ltd. 信音企業股份有限公司		
DECIMALS:	ANGLES:	TITLE	φ3.50 AUDIO JACK	
X :±0.5	X :±2°	DWN	ANDY	PART NO. 2SJ3035-002111F
X.X :±0.3	X.X :±1°	CHKD	CERRY	SCALE:4:1 UNIT: mm
X.XX :±0.2		APVD	MAX	SIZE: A3 SHEET:1 OF 1 REV: B
CUSTOMER COPY				