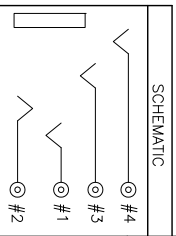
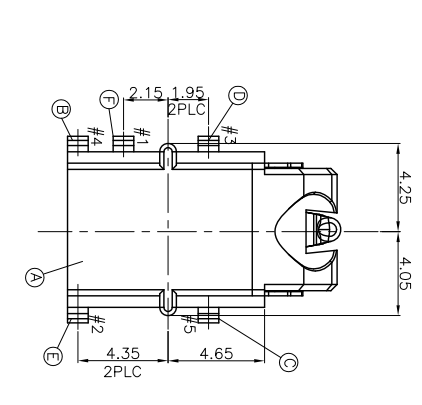
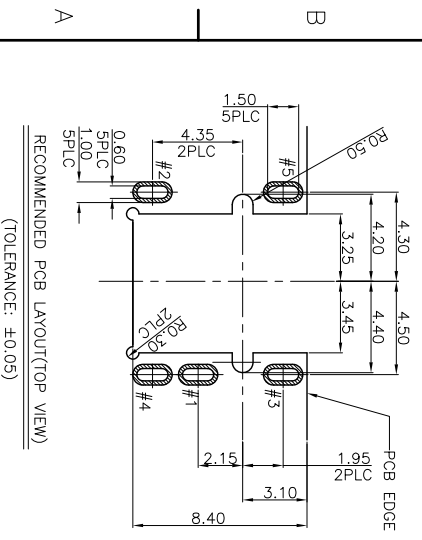
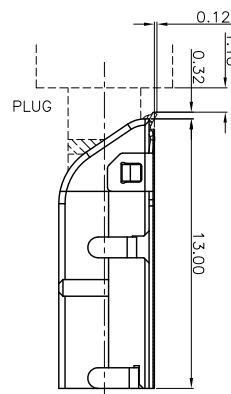
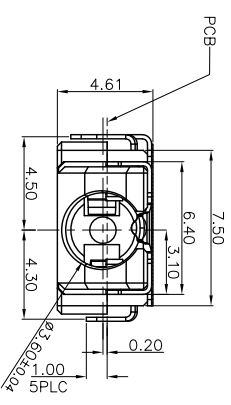
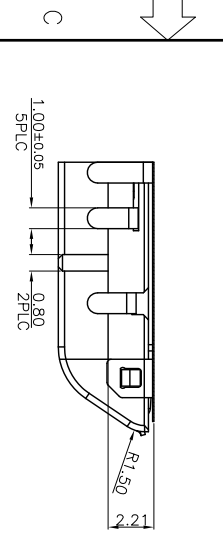


3D VIEW

- SPECIFICATIONS:
- ELECTRICAL CHARACTERISTICS:
    - 1-1. RATING: 12V 1A
    - 1-2. CONTACT RESISTANCE: 50mΩ MAX (INITIAL)
    - 1-3. DIELECTRIC WITHSTANDING VOLTAGE: 500V AC FOR ONE MINUTE.
    - 1-4. INSULATION RESISTANCE: 100MΩ MIN. MEASURED BY 500 VDC
  - MECHANICAL CHARACTERISTICS:
    - 2-1. INSERTION FORCE : 0.3~3.0 KGF
    - 2-2. WITHDRAWAL FORCE : 0.3~2.0 KGF
  - LIFE TEST: 5,000 CYCLES MIN.
  - AFTER LIFE TEST, CONTACT RESISTANCE: 60mΩ MAX.
  - AFTER HUMIDITY TEST, INSULATION RESISTANCE: 50MΩ MIN.
  - OTHER GENERAL SPEC. TO REFER "SINGATRON Ø2.5 Ø3.5 PHONE JACK SPEC"
  - TO CONFORM TO SINGATRON HAZARDOUS SUBSTANCE FREE SPEC.
  - HALOGEN FREE PRODUCT IDENTIFICATION MARK ON PRODUCT:
  - HALOGEN FREE PRODUCT IDENTIFICATION LOGO ON PACKAGING:
  - FOR REFLOW SOLDERING LEAD-FREE PROCESS.



G	MYLAR	1	KAPTON T=0.06	YELLOW																				
F	TIP SPRING	1	PHOSPHOR BRONZE 0.20T	GOLD FLASH ON CONTACT & SOLDER TAIL AREA. ALL OVER IN 500° PLATING.																				
E	RING-A SPRING	1	PHOSPHOR BRONZE 0.2T																					
D	R-RING-B SPRING	1	PHOSPHOR BRONZE 0.2T	GOLD FLASH ON CONTACT AREA. WHITE SN 1200° ON SOLDER TAIL AREA																				
C	L-RING-B SPRING	1	PHOSPHOR BRONZE 0.2T	ALL OVER IN 500° PLATING.																				
B	EARTH SPRING	1	PHOSPHOR BRONZE 0.2T	IN 500° MIN.																				
A	BODY	1	HIGH TEMP THERMOPLASTIC UL 94V-0	BLACK																				
NO DESCRIPTION		QTY	MATERIAL	PLATING & COLOR																				
UNLESS OTHERWISE SPECIFIED TOLERANCES																								
<table border="1"> <tr> <td>DECIMALS:</td> <td>ANGLES:</td> </tr> <tr> <td>X :±0.5</td> <td>X :±2°</td> </tr> <tr> <td>X.X :±0.3</td> <td>X.X :±1°</td> </tr> <tr> <td>X.XX :±0.2</td> <td></td> </tr> </table>					DECIMALS:	ANGLES:	X :±0.5	X :±2°	X.X :±0.3	X.X :±1°	X.XX :±0.2													
DECIMALS:	ANGLES:																							
X :±0.5	X :±2°																							
X.X :±0.3	X.X :±1°																							
X.XX :±0.2																								
<table border="1"> <tr> <td>TITLE</td> <td>Ø3.50 AUDIO JACK</td> </tr> <tr> <td>DWN</td> <td>Swing</td> </tr> <tr> <td>CHKD</td> <td>USS80</td> </tr> <tr> <td>APVD</td> <td>MW</td> </tr> <tr> <td>PART NO.</td> <td>2SJ3035-007111F</td> </tr> <tr> <td>SCALE:</td> <td>4:1</td> </tr> <tr> <td>UNIT:</td> <td>mm</td> </tr> <tr> <td>SIZE:</td> <td>A3</td> </tr> <tr> <td>SHEET:</td> <td>1 OF 1</td> </tr> <tr> <td>REV:</td> <td>A</td> </tr> </table>					TITLE	Ø3.50 AUDIO JACK	DWN	Swing	CHKD	USS80	APVD	MW	PART NO.	2SJ3035-007111F	SCALE:	4:1	UNIT:	mm	SIZE:	A3	SHEET:	1 OF 1	REV:	A
TITLE	Ø3.50 AUDIO JACK																							
DWN	Swing																							
CHKD	USS80																							
APVD	MW																							
PART NO.	2SJ3035-007111F																							
SCALE:	4:1																							
UNIT:	mm																							
SIZE:	A3																							
SHEET:	1 OF 1																							
REV:	A																							
<p>Singatron Enterprise Co., Ltd. 信營企業股份有限公司</p> <p>CUSTOMER COPY</p>																								