
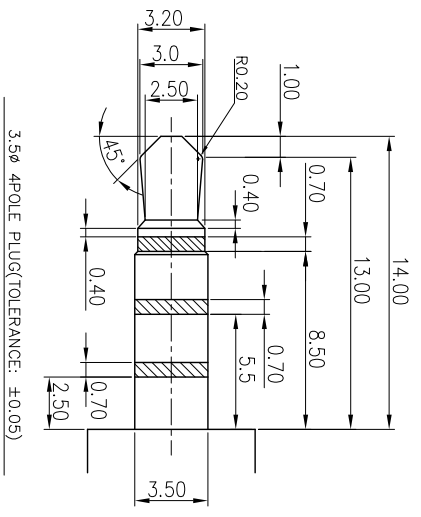
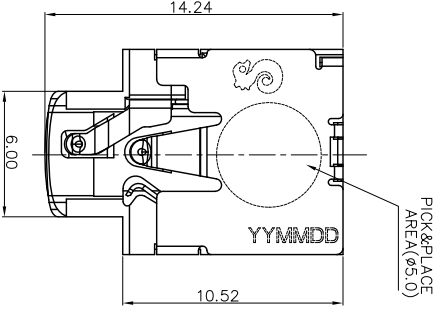
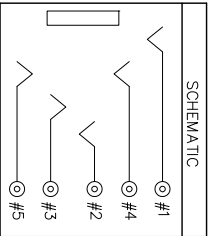


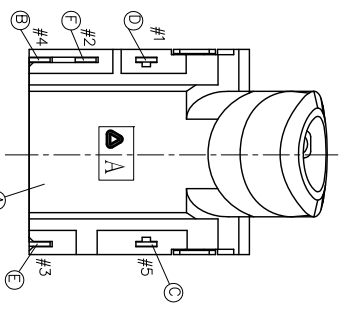
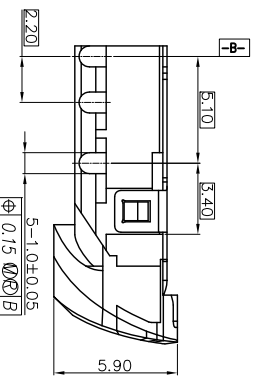
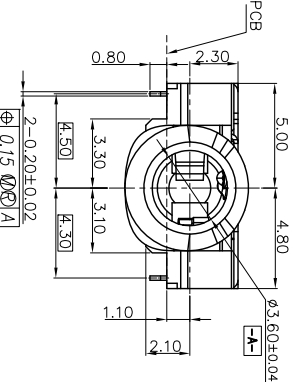
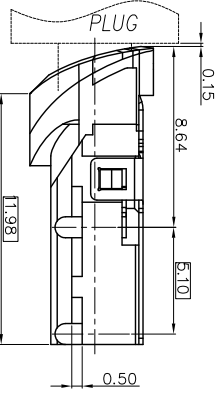
REV.	ECN NO. OR DESCRIPTION	REVISED	DATE
A	PDR NO: T120104-11A	Eileen	2012.06.01
B	ECN NO: S120760 ECN NO: S120747	Angus	2012.11.06

SPECIFICATIONS:

- ELECTRICAL CHARACTERISTICS:
 - RATING: 12V 1A
 - CONTACT RESISTANCE: 30mΩ MAX.(INITIAL)
 - DIELECTRIC WITHSTANDING VOLTAGE: 500V AC FOR ONE MINUTE.
 - INSULATION RESISTANCE: 100MΩ MIN. MEASURED BY 500 VDC
- MECHANICAL CHARACTERISTICS:
 - INSERTION FORCE : 0.3~3.0 Kgf
 - WITHDRAWAL FORCE : 0.2~3.0 Kgf
- LIFE TEST: 5,000 CYCLES MIN.
- OTHER GENERAL SPEC. TO REFER "SINGATRON Ø2.5 Ø3.5 PHONE JACK SPEC"
- TO CONFORM TO SINGATRON HAZARDOUS SUBSTANCE FREE SPEC.
- GREEN PRODUCT IDENTIFICATION MARK ON JACK: 
- GREEN PRODUCT IDENTIFICATION LABEL ON PACKAGING: **GP-PASS**
- FOR REFLOW SOLDERING LEAD-FREE PROCESS.
- PLEASE PUT THE PRODUCT IN A CONDITION WHERE IS FULL OF NITROGEN DURING IR REFLOW PROCESSING.



3.5Ø 4-POLE PLUG(TOLERANCE: ±0.05)



RECOMMENDED PCB LAYOUT(TOP VIEW)
(TOLERANCE: ±0.05)

NO	DESCRIPTION	QTY	MATERIAL	PLATING & COLOR
F	TIP SPRING	1	PHOSPHOR BRONZE 0.20t	GOLD FLASH ON CONTACT & SOLDER TAIL AREA; ALL OVER IN 50μ" PLATING.
E	RING-A	1	PHOSPHOR BRONZE 0.2t	
D	EARTH	1	PHOSPHOR BRONZE 0.2t	GOLD FLASH ON CONTACT AREA; SN 120μ" ON SOLDER TAIL AREA; ALL OVER IN 50μ" PLATING.
C	RING-B-R	1	PHOSPHOR BRONZE 0.2t	
B	SEHLL	1	PHOSPHOR BRONZE 0.2t	可焊鍍 Ni 60μ" MIN
A	BODY	1	HIGH TEMP.THERMOPLASTIC UL 94V-0	WHITE

Singatron Enterprise Co., Ltd.
信音企業股份有限公司

Ø3.50 AUDIO JACK

TITLE	DECIMALS:	ANGLES:
DWN	Angus	PART NO. 2SJ3035-015111H
CHKD	Tom	SCALE: 4:1
APVD	Quan	UNIT: mm
SIZE: A3		
SHEET: 1 OF 1		
REV: B		

CUSTOMER COPY