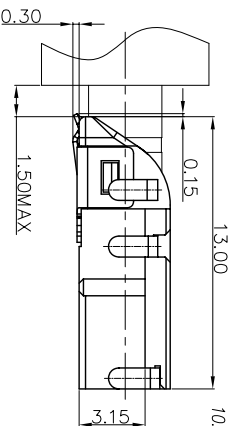
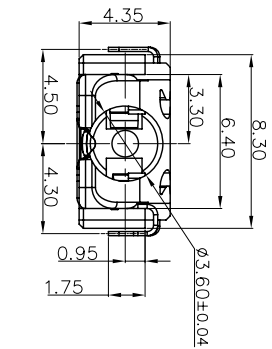
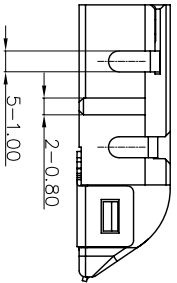
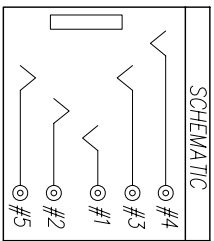
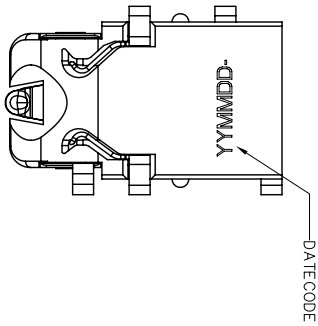
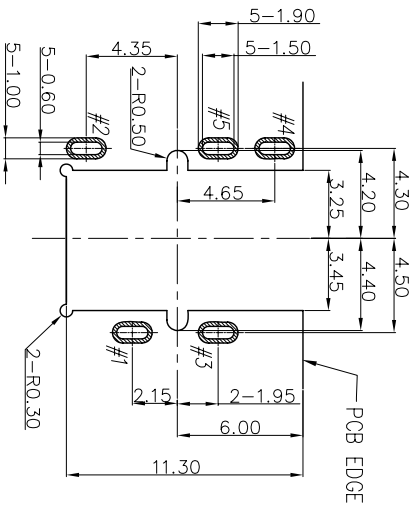


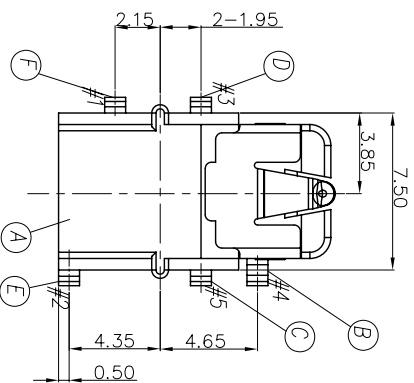
3.5Φ 4POLE PLUG(TOLERANCE: ±0.05)



- SPECIFICATIONS:
- ELECTRICAL CHARACTERISTICS:
 - RATING: 12V 1A
 - CONTACT RESISTANCE: 50mΩ MAX (INITIAL)
 - DIELECTRIC WITHSTANDING VOLTAGE: 500V AC FOR ONE MINUTE.
 - INSULATION RESISTANCE: 100MΩ MIN. MEASURED BY 500V DC.
 - MECHANICAL CHARACTERISTICS:
 - INSERTION FORCE: 0.3~3.0 KGF
 - WITHDRAWAL FORCE: 0.3~2.0 KGF
 - LIFE TEST: 5,000 CYCLES MIN.
 - AFTER LIFE TEST, CONTACT RESISTANCE: 60mΩ MAX.
 - AFTER HUMIDITY TEST, INSULATION RESISTANCE: 50MΩ MIN.
 - OTHER GENERAL SPEC. TO REFER "
 - TO CONFORM TO SINGATRON HAZARDOUS SUBSTANCE FREE SPEC.
 - HALOGEN FREE PRODUCT IDENTIFICATION MARK ON PRODUCT: Ⓢ
 - HALOGEN FREE PRODUCT IDENTIFICATION LOGO ON PACKAGING: Ⓢ
 - FOR REFLOW SOLDERING LEAD-FREE PROCESS.



RECOMMENDED PCB LAYOUT(TOP VIEW)
(TOLERANCE: ±0.05)



NO	DESCRIPTION	QTY	MATERIAL	PLATING & COLOR
F	TIP SPRING	1	PHOSPHOR BRONZE 0.20T	GOLD FLASH ON CONTACT & SOLDER TAIL AREA; ALL OVER Ni 50μ" PLATING.
E	RING-A SPRING	1	PHOSPHOR BRONZE 0.2T	SOLD FLASH ON CONTACT AREA; MATE SN 120μ" ON SOLDER TAIL AREA
D	R-RING-B SPRING	1	PHOSPHOR BRONZE 0.2T	ALL OVER Ni 50μ" PLATING.
C	L-RING-B SPRING	1	PHOSPHOR BRONZE 0.2T	
B	EARTH SPRING	1	PHOSPHOR BRONZE 0.2T	可導線IN: 60μ" Min.
A	BODY	1	HIGH TEMP. THERMOPLASTIC UL 94V-0	BLACK

UNLESS OTHERWISE SPECIFIED TOLERANCES	ANGLES:
DECIMALS: X : ±0.5	X : ±2°
X.X : ±0.3	X.X : ±1°
X.XX : ±0.2	

TITLE	PART NO.	UNIT:	SHEET:	REV:
Angus	2SJM3035-016111F	mm	1 OF 1	B

Customer Copy

REV.	ECN NO. OR DESCRIPTION	REVISED	DATE
A	PDR NO: T120223-2A	Swin	2012.04.26
B	ECN NO: S120609	Angus	2012.08.01