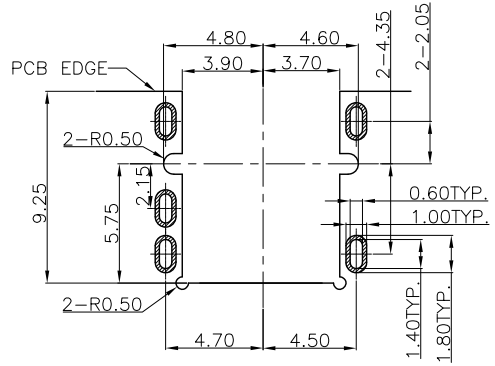
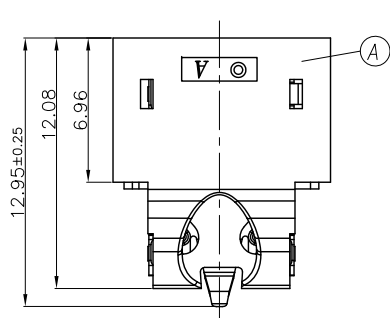
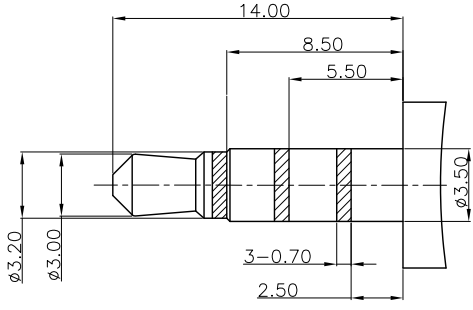
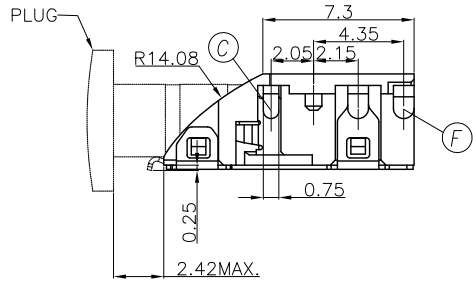
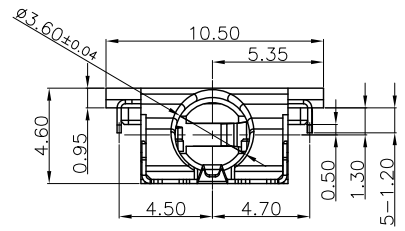
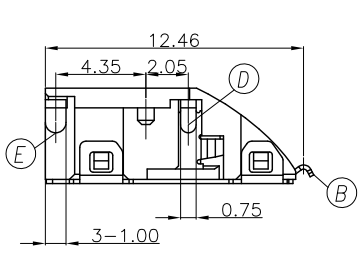


REV.	ECN NO OR DESCRIPTION	REVISED	DATE
A	PDR NO.:T121030-1A	HM-JIANG	2013.05.07

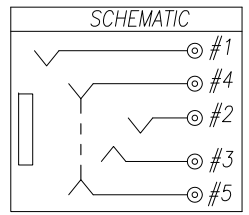
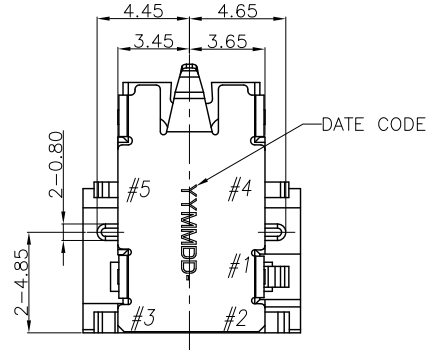


RECOMMENDED PCB LAYOUT(TOP VIEW),T=1.00  
(TOLERANCE: ±0.05)

- SPECIFICATIONS:
- ELECTRICAL CHARACTERISTICS:
    - RATING: 12V, 1A
    - CONTACT RESISTANCE: 50mΩ MAX.(INITIAL)
    - DIELECTRIC WITHSTANDING VOLTAGE: 500V AC FOR ONE MINUTE.
    - INSULATION RESISTANCE: 100MΩ MIN. MEASURED BY 500V DC
  - MECHANICAL CHARACTERISTICS:
    - INSERTION FORCE : 0.3~3.0 KGF
    - WITHDRAWAL FORCE : 0.3~3.0 KGF
  - LIFE TEST: 5,000 CYCLES
  - AFTER LIFE TEST, CONTACT RESISTANCE: 60mΩ MAX.
  - AFTER HUMIDITY TEST, INSULATION RESISTANCE: 50MΩ MIN.
  - TO CONFORM TO SINGATRON HAZARDOUS SUBSTANCE FREE SPEC.
  - HALOGEN FREE PRODUCT IDENTIFICATION MARK ON PRODUCT: Ⓢ
  - HALOGEN FREE PRODUCT IDENTIFICATION LOGO ON PACKAGING: Ⓢ



3.5Ø 4POLE PLUG(TOLERANCE: ±0.05)



F	TIP SPRING	1	COPPER ALLOY, 0.25T	GOLD FLASH ON CONTACT AREA; ALL SOLDER NI 50u" MIN.PLATING.
E	RING-A	1	COPPER ALLOY, 0.2T	GOLD FLASH ON CONTACT AREA; MATTE-TIN 120U" ON SOLDER TAIL AREA; ALL OVER NI 50u" PLATING.
D	RING-B2	1	COPPER ALLOY, 0.2T	GOLD FLASH ON CONTACT AREA; GOLD FLASH ON SOLDER TAIL AREA;
C	RING-B1	1	COPPER ALLOY, 0.2T	ALL OVER NI 50u" PLATING.
B	EARTH	1	COPPER ALLOY, 0.2T	GOLD FLASH ON CONTACT AREA; ALL SOLDER NI 50u" MIN.PLATING.
A	BODY	1	HIGH TEMP.THERMOPLASTIC UL 94V-0	BLACK

NO	DESCRIPTION	QTY	MATERIAL	PLATING & COLOR			
UNLESS OTHERWISE SPECIFIED TOLERANCES		Singatron Enterprise Co., Ltd. 信音企業股份有限公司					
DECIMALS: ANGLES:					TITLE		
X	:±0.5	X	:±2°	DWN	HM-JIANG	PART NO. 2SJ3035-023111F	
X.X	:±0.3	X.X	:±1°	CHKD	BRUCE	SCALE:4:1	UNIT: mm
X.XX	:±0.2			APVD	LUSSSEN	SIZE: A3	SHEET:1 OF 1
CUSTOMER COPY							