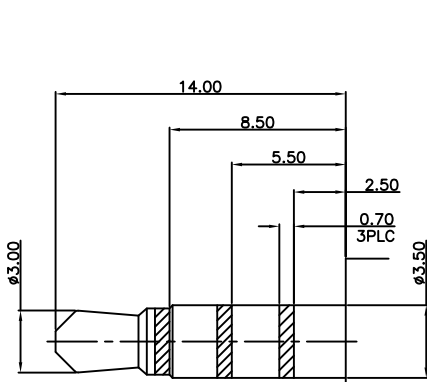


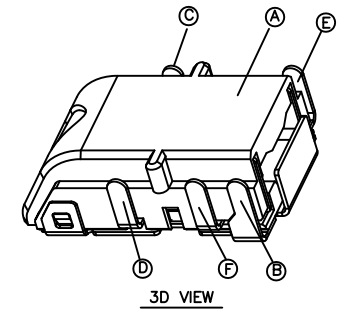
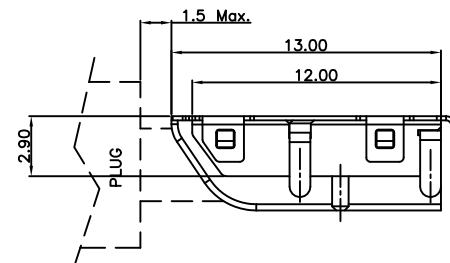
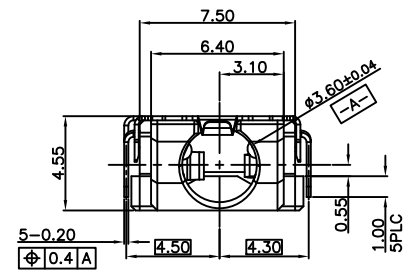
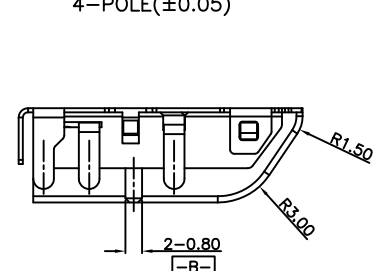
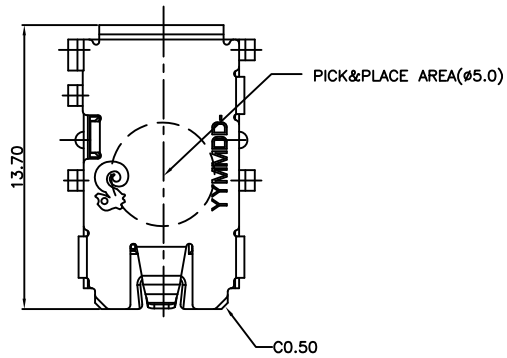
REV.	ECN NO OR DESCRIPTION	REVISED	DATE
A	PDR NO: T130607-2A	MARS	2013.07.02

SPECIFICATIONS:

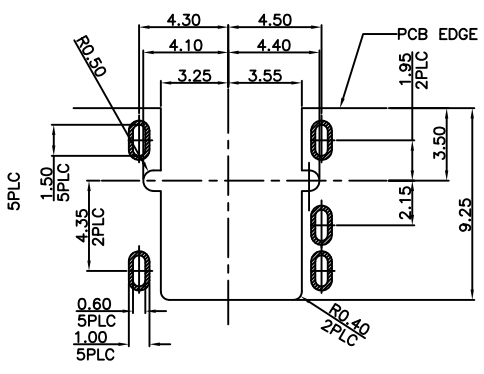
- INSULATION RESISTANCE BETWEEN ANY ADJACENT OPEN CIRCUIT TERMINAL SHELL NOT BE LESS THAN 100MΩ MEASURED BY 500 VDC.
- CONTACT RESISTANCE: 50mΩ MAX.
- INSULATION VOLTAGE WITHSTAND: 500V AC FOR ONE MINUTE.
- UNLESS OTHERWISE SPECIFIED, TEST IS TO BE MADE AT 5-35°C IN TEMPERATURE AND 45-85% IN HUMIDITY. BUT, IF ANY VAGUE DATA IS OCCURED ON TEST RESULT, ANOTHER TEST SHALL BE MADE AT 20°C±2°C IN TEMP., 60-70% IN HUMIDITY.
- LIFE TEST: 5,000 CYCLES MIN.
- INSERTION FORCE: 0.3 - 3Kg.
- WITHDRAWAL FORCE: 0.3 - 2Kg.
- AFTER LIFE TEST, CONTACT RESISTANCE: 60mΩ MAX.
- AFTER HUMIDITY TEST, INSULATION RESISTANCE: 50MΩ MIN.
- MARKING: MARK "S" ON TOP OF CONNECTOR.
- PACKAGING : TAPE & REEL.
- TO CONFORM TO SINGATRON HAZARDOUS SUBSTANCE FREE SPEC.
- HALOGEN FREE PRODUCT IDENTIFICATION MARK ON PRODUCT:
- HALOGEN FREE PRODUCT IDENTIFICATION LOGO ON PACKAGING:



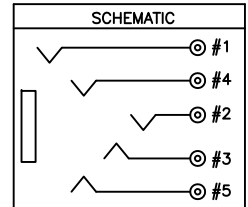
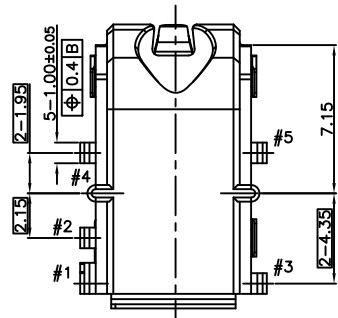
RECOMMENDED PLUG
4-POLE(±0.05)



3D VIEW



RECOMMENDED PCB LAYOUT(TOP VIEW)
(TOLERANCE: ±0.05)



NO	DESCRIPTION	QTY	MATERIAL	PLATING & COLOR
F	TIP SPRING	1	PHOSPHOR BRONZE 0.20t	GOLD FLASH
E	RING-A	1	PHOSPHOR BRONZE 0.2t	GOLD FLASH ON CONTACT AREA; SN 120u" SOLDER TAIL AREA; ALL OVER 50u" NICKET PLATING.
D	R-RING-B	1	PHOSPHOR BRONZE 0.2t	GOLD FLASH
C	L-RING-B	1	PHOSPHOR BRONZE 0.2t	GOLD FLASH
B	EARTH	1	PHOSPHOR BRONZE 0.2t	Ni 50u" Min.
A	BODY	1	HIGH TEMP.THERMOPLASTIC UL 94V-0	BLACK COLOR
UNLESS OTHERWISE SPECIFIED TOLERANCES		Singatron Enterprise Co., Ltd. 信音企業股份有限公司		
DECIMALS: X ±0.5 X.X ±0.3 X.XX ±0.2		ANGLES: X ±2° X.X ±1°		TITLE DWN MARS PART NO. 2SJ3035-034111F CHKD BRUCE SCALE:4:1 UNIT: mm APVD LUSSEN SIZE: A3 SHEET:1 OF 1 REV: A
CUSTOMER COPY				