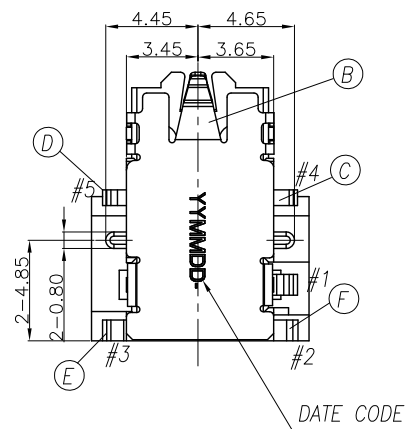
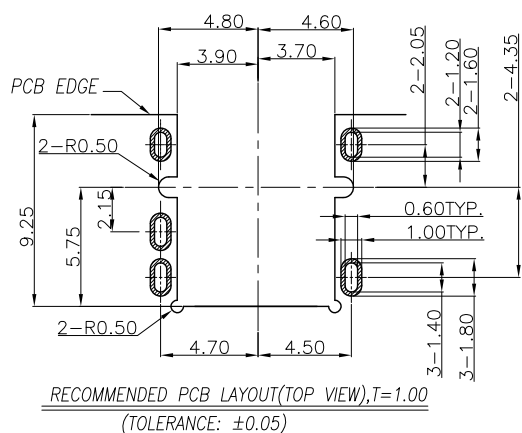
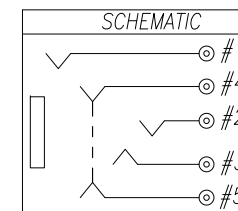
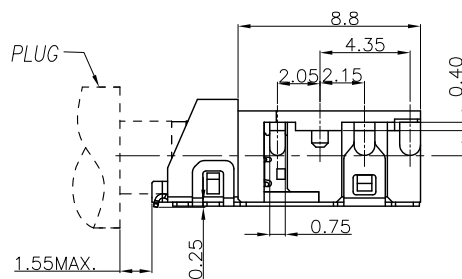
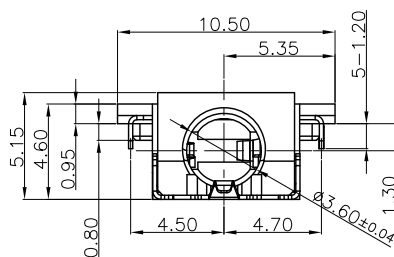
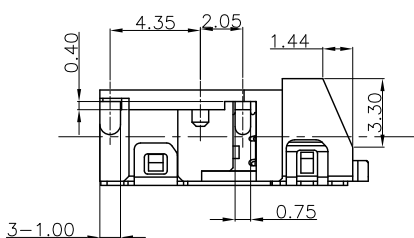
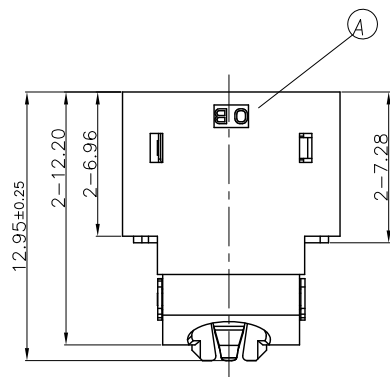
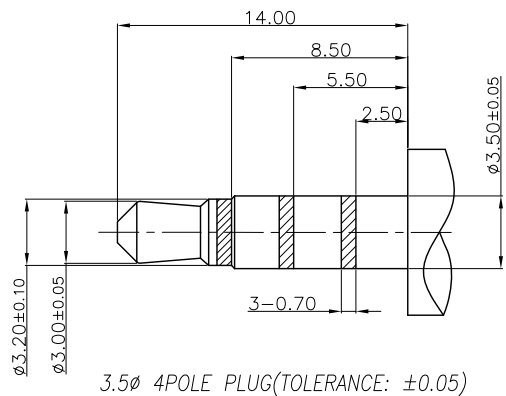


REV.	ECN NO OR DESCRIPTION	REVISED	DATE
A	PDR NO.:T140122-4A	Bruce	2014.09.01

SPECIFICATIONS:

- ELECTRICAL CHARACTERISTICS:
 - RATING: 12V, 1A
 - CONTACT RESISTANCE: 50mΩ MAX.(INITIAL)
 - DIELECTRIC WITHSTANDING VOLTAGE: 500V AC FOR ONE MINUTE.
 - INSULATION RESISTANCE: 100MΩ MIN. MEASURED BY 500V DC
- MECHANICAL CHARACTERISTICS:
 - INSERTION FORCE : 0.3~3.0 KGF
 - WITHDRAWAL FORCE : 0.3~3.0 KGF
- LIFE TEST: 5,000 CYCLES
- AFTER LIFE TEST, CONTACT RESISTANCE: 60mΩ MAX.
- AFTER HUMIDITY TEST, INSULATION RESISTANCE: 50MΩ MIN.
- TO CONFORM TO SINGATRON HAZARDOUS SUBSTANCE FREE SPEC.
- HALOGEN FREE PRODUCT IDENTIFICATION MARK ON PRODUCT: ☉
- HALOGEN FREE PRODUCT IDENTIFICATION LOGO ON PACKAGING:



F	TIP SPRING	1	COPPER ALLOY, 0.25T	GOLD FLASH ON CONTACT AREA; ALL SOLDER Ni 50u" MIN.PLATING.
E	RING-A	1	COPPER ALLOY, 0.2T	GOLD FLASH ON CONTACT AREA; MATTE Sn 80u" ON SOLDER TAIL AREA; ALL OVER Ni 50u" PLATING.
D	RING-B2	1	COPPER ALLOY, 0.2T	GOLD FLASH ON CONTACT AREA; GOLD FLASH ON SOLDER TAIL AREA;
C	RING-B1	1	COPPER ALLOY, 0.2T	ALL OVER Ni 50u" PLATING.
B	EARTH	1	COPPER ALLOY, 0.2T	GOLD FLASH ON CONTACT AREA; ALL SOLDER Ni 50u" MIN.PLATING.
A	BODY	1	HIGH TEMP.THERMOPLASTIC UL 94V-0	BLACK
NO	DESCRIPTION	QTY	MATERIAL	PLATING & COLOR

UNLESS OTHERWISE SPECIFIED TOLERANCES

Singatron Enterprise Co., Ltd.
信音企業股份有限公司

DECIMALS:	ANGLES:	TITLE	φ3.50 AUDIO JACK	
X :±0.5	X :±2°	DWN Bruce	PART NO. 2SJ3035-037111F	
X.X :±0.3	X.X :±1°	CHKD Sky	SCALE:4:1	UNIT: mm
X.XX :±0.2		APVD Lussen	SIZE: A3	SHEET:1 OF 1

CUSTOMER COPY