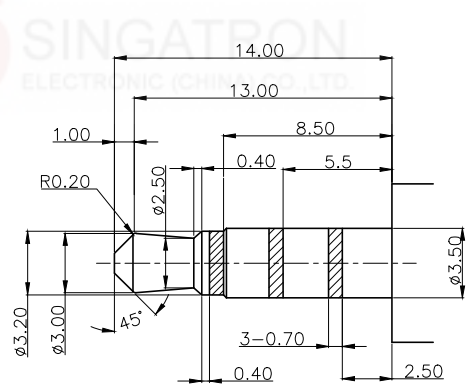
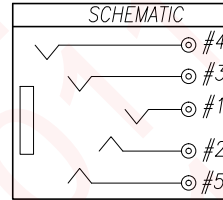
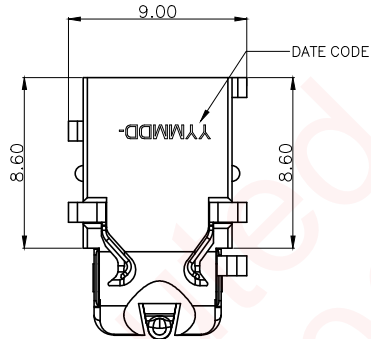


REV.	ECN NO OR DESCRIPTION	REVISED	DATE
A	PDR NO: T150123-5A	Owen	2015.6.26

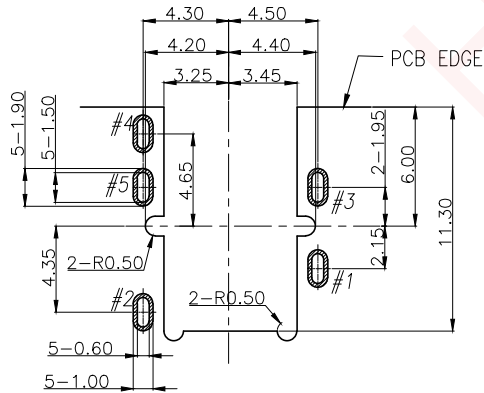
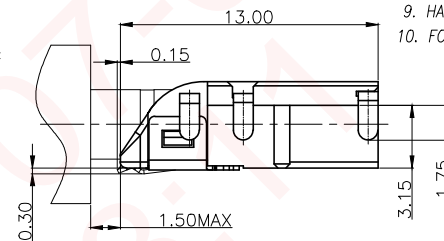
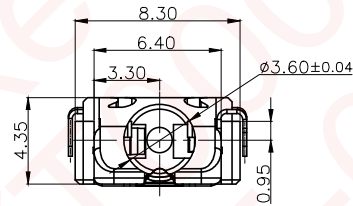
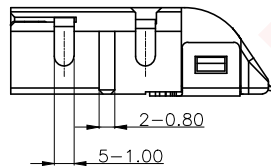


3.5 ϕ 4POLE PLUG(TOLERANCE: ± 0.05)

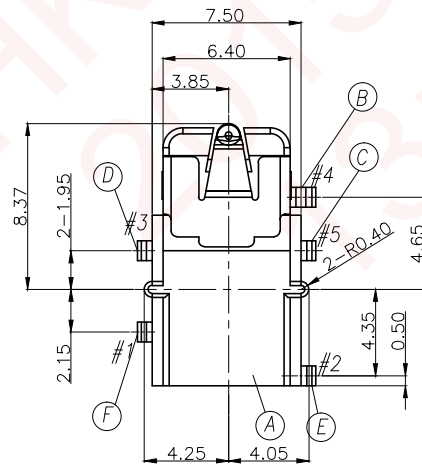


SPECIFICATIONS:

- ELECTRICAL CHARACTERISTICS:
 - 1-1. RATING: 12V 1A
 - 1-2. CONTACT RESISTANCE: 50m Ω MAX.(INITIAL)
 - 1-3. DIELECTRIC WITHSTANDING VOLTAGE: 500V AC FOR ONE MINUTE.
 - 1-4. INSULATION RESISTANCE: 100M Ω MIN. MEASURED BY 500V DC
- MECHANICAL CHARACTERISTICS:
 - 2-1. INSERTION FORCE : 0.3~3.0 KGF
 - 2-2. WITHDRAWAL FORCE : 0.3~2.0 KGF
- LIFE TEST: 5,000 CYCLES MIN.
- AFTER LIFE TEST, CONTACT RESISTANCE: 60m Ω MAX.
- AFTER HUMIDITY TEST, INSULATION RESISTANCE: 50M Ω MIN.
- OTHER GENERAL SPEC. TO REFER "SINGATRON $\phi 2.5$ $\phi 3.5$ PHONE JACK SPEC".
- TO CONFORM TO SINGATRON HAZARDOUS SUBSTANCE FREE SPEC.
- HALOGEN FREE PRODUCT IDENTIFICATION MARK ON PRODUCT: $\text{\textcircled{C}}$
- HALOGEN FREE PRODUCT IDENTIFICATION LOGO ON PACKAGING:
- FOR REFLOW SOLDERING LEAD-FREE PROCESS.



RECOMMENDED PCB LAYOUT(TOP VIEW)
(TOLERANCE: ± 0.05)



F	TIP SPRING	1	PHOSPHOR BRONZE 0.20T	GOLD FLASH ON CONTACT & SOLDER TAIL AREA; ALL OVER NI 50u" PLATING.
E	RING-A SPRING	1	PHOSPHOR BRONZE 0.2T	
D	R-RING-B SPRING	1	PHOSPHOR BRONZE 0.2T	GOLD FLASH ON CONTACT AREA; MATTE SN 120u" ON SOLDER TAIL AREA
C	L-RING-B SPRING	1	PHOSPHOR BRONZE 0.2T	ALL OVER NI 50u" PLATING.
B	EARTH SPRING	1	PHOSPHOR BRONZE 0.2T	可辨線 Ni 60u" Min.
A	BODY	1	HIGH TEMP.THERMOPLASTIC UL 94V-0	BLACK

NO	DESCRIPTION	QTY	MATERIAL	PLATING & COLOR
UNLESS OTHERWISE SPECIFIED TOLERANCES			Singatron Enterprise Co., Ltd. 信音企業股份有限公司	

DECIMALS:	ANGLES:	TITLE	$\phi 3.50$ AUDIO JACK	
X : ± 0.5	X : $\pm 2^\circ$	DWN	Owen	PART NO. 2SJ3035-040111F
X.X : ± 0.3	X.X : $\pm 1^\circ$	CHKD	Bruce	SCALE:4:1 UNIT: mm
X.XX : ± 0.2		APVD	Lussen	SIZE: A3 SHEET:1 OF 1 REV: A
CUSTOMER COPY				