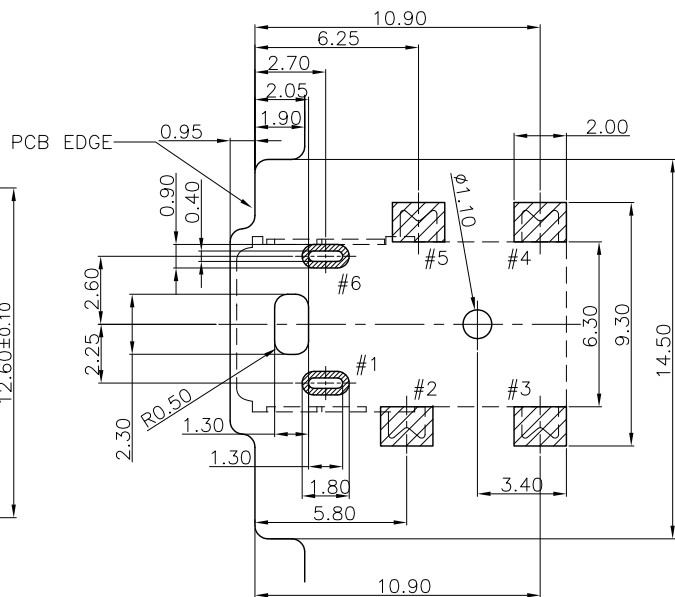
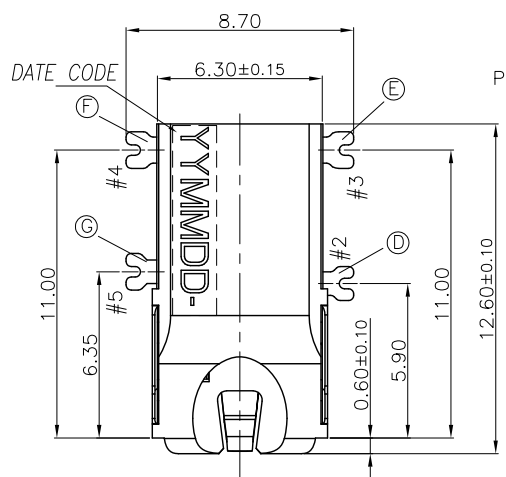
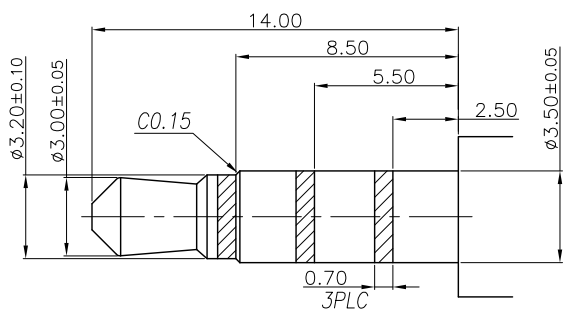
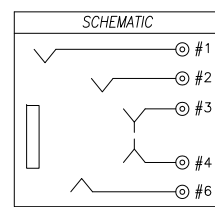
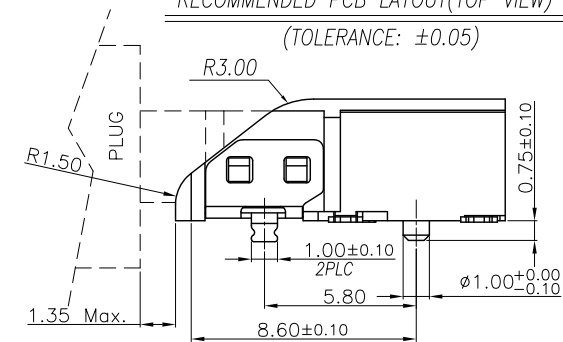
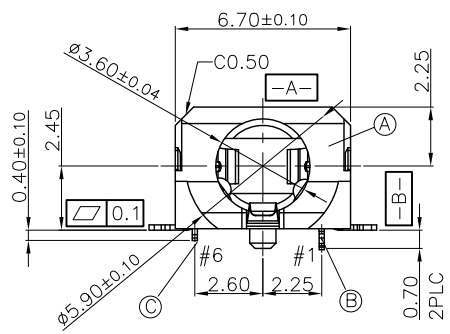


REV.	ECN NO OR DESCRIPTION	REVISED	DATE
A	PDR NO: T110622-2A	Bruce	2011.08.26
B	ECN NO: S111005	SEAN	2011.10.31



RECOMMENDED PCB LAYOUT(TOP VIEW)  
(TOLERANCE: ±0.05)

- SPECIFICATIONS:
- INSULATION RESISTANCE BETWEEN ANY ADJACENT OPEN CIRCUIT TERMINAL SHELL NOT BE LESS THAN 100M MEASURED BY 500 VDC MEGGER.
  - CONTACT RESISTANCE: 50mΩ MAX.
  - INSULATION VOLTAGE WITHSTAND:500V AC FOR ONE MINUTE.
  - UNLESS OTHERWISE SPECIFIED, TEST IS TO BE MADE AT 5-35°C IN TEMPERATURE AND 45-85% IN HUMIDITY. BUT,IF ANY VAGUE DATA IS OCCURED ON TEST RESULT, ANOTHER TEST SHALL BE MADE AT 20°C±2°C IN TEMP., 60-70% IN HUMIDITY.
  - LIFE TEST: 5,000 CYCLES MIN.
  - INSERTION FORCE: 0.3 - 3Kg.
  - WITHDRAWAL FORCE: 0.3 - 3Kg.
  - AFTER LIFE TEST, CONTACT RESISTANCE: 60mΩ MAX.
  - AFTER HUMIDITY TEST, INSULATION RESISTANCE: 50MΩ MIN.
  - PACKING : TAPE & REEL.
  - TO CONFORM TO SINGATRON HAZARDOUS SUBSTANCE FREE SPEC.
  - GREEN PRODUCT IDENTIFICATION MARK ON JACK:
  - GREEN PRODUCT IDENTIFICATION LABEL ON PACKAGING:



MATING PLUG(TOLERANCE:±0.05)  
ø3.5 4-POLE STANDARD PLUG

NO	DESCRIPTION	QTY	MATERIAL	PLATING & COLOR
G	SHUNT	1	PHOSPHOR BRONZE 0.2t	
F	TIP SPRING-B	1	PHOSPHOR BRONZE 0.2t	
E	TIP SPRING-A	1	PHOSPHOR BRONZE 0.2t	
D	RING -A	1	PHOSPHOR BRONZE 0.2t	
C	RING-B	1	PHOSPHOR BRONZE 0.2t	
B	EARTH	1	PHOSPHOR BRONZE 0.2t	
A	BODY	1	HIGH TEMP.THERMOPLASTIC UL 94V-0	BLACK

GOLD FLASH 1~3u"ON CONTACT AREA AND SOLDER TAIL ALL OVER 50u" NI.

UNLESS OTHERWISE SPECIFIED TOLERANCES		Singatron Enterprise Co., Ltd. 信音企業股份有限公司		
DECIMALS:	ANGLES:	TITLE	ø3.50 AUDIO JACK	
X :±0.5	X :±2°	DWN SEAN	PART NO. 2SJ3036-002111F	
X.X :±0.3	X.X :±1°	CHKD TOM	SCALE:4:1	UNIT: mm
X.XX :±0.2		APVD TONY	SIZE: A3	SHEET:1 OF 1
REV: B				
CUSTOMER COPY				