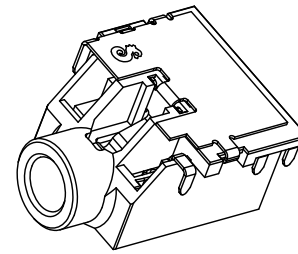
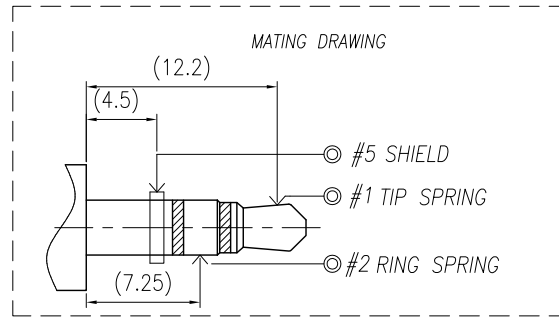
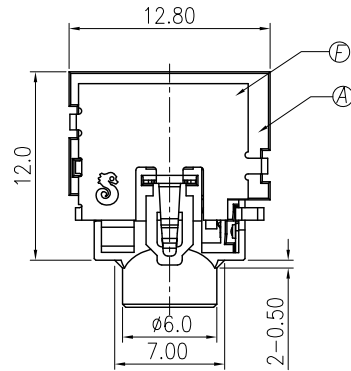


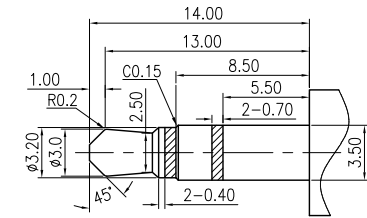
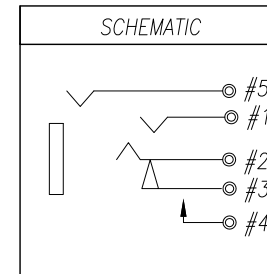
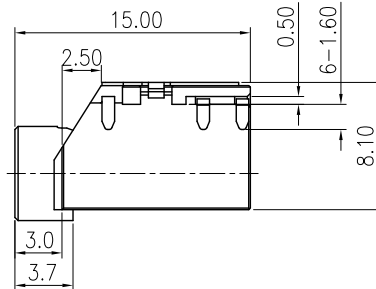
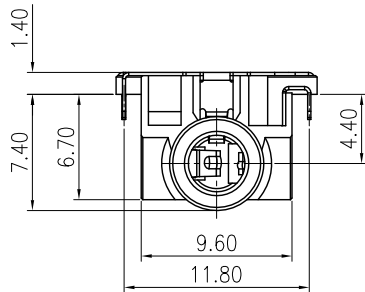
REV.	ECN NO OR DESCRIPTION	REVISED	DATE
A	PDR NO:T110322-4A	Cerry	2011.09.01
B	ECN NO:S120240	Angus	2012.03.26

SPECIFICATIONS:

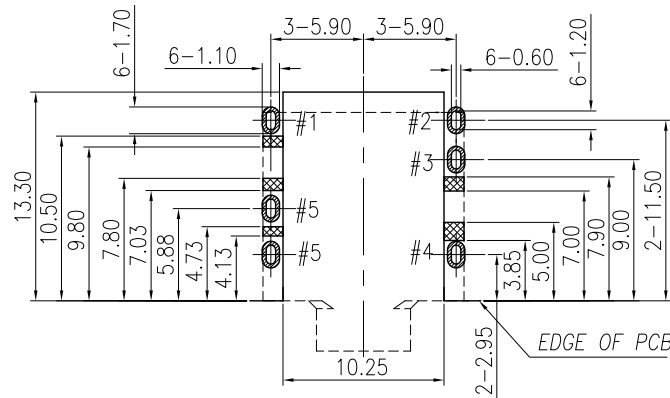
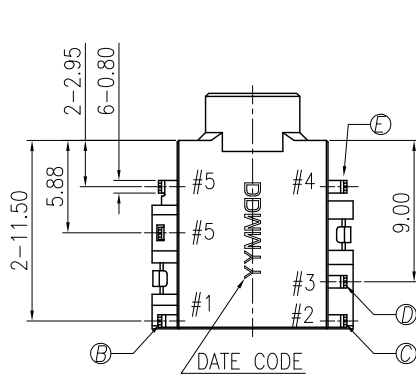
- ELECTRICAL CHARACTERISTICS:
  - RATING: 12V 1A
  - CONTACT RESISTANCE: 50mΩ MAX. (BETWEEN SWITCH PARTS: 30mΩ MAX)
  - DIELECTRIC WITHSTANDING VOLTAGE: 500V AC FOR ONE MINUTE.
  - INSULATION RESISTANCE: 100MΩ MIN. MEASURED BY 500 VDC
- MECHANICAL CHARACTERISTICS:
  - INSERTION FORCE : 0.4~3.0 KGF
  - WITHDRAWAL FORCE : 0.3~2.0 KGF
- LIFE TEST: 5,000 CYCLES MIN.
- MARKING: MARK "S" ON TOP OF CONNECTOR.
- PACKAGING : TAPE & REEL.
- TO CONFORM TO THE SINGATRON HAZARDOUS SUBSTANCE FREE SPEC.
- HALOGEN FREE PRODUCT IDENTIFICATION MARK ON JACK: ○
- HALOGEN FREE PRODUCT IDENTIFICATION LABEL ON PACKAGING: Ⓢ
- FOR REFLOW SOLDERING LEAD-FREE PROCESS.



3D VIEW (SCALE:1:1)



Ø3.5 3 POLE PLUG  
TOLERANCE:±0.05



RECOMMENDED P.C.B. LAYOUT T=1.00  
TOP VIEW (TOLERANCE: ±0.05)

STAND OFF

F	SHIELD	1	PHOSPHOR BRONZE 0.2t	GOLD FLASH ON CONTACT AREA OVER NI PLATING(可選)
E	MAKE TERMINAL	1	PHOSPHOR BRONZE 0.2t	GOLD FLASH
D	TRANSFER TERMINAL	1	PHOSPHOR BRONZE 0.2t	GOLD FLASH
C	RING SPRING	1	PHOSPHOR BRONZE 0.2t	GOLD FLASH
B	TIP SPRING	1	PHOSPHOR BRONZE 0.25t	GOLD FLASH
A	BODY	1	HIGH TEMP.THERMOPLASTIC UL 94V-0 (無鹵)	BLACK
NO	DESCRIPTION	QTY	MATERIAL	PLATING & COLOR
UNLESS OTHERWISE SPECIFIED TOLERANCES		Singatron Enterprise Co., Ltd. 信音企業股份有限公司		
DECIMALS:	ANGLES:	TITLE	Ø3.5 SINKING TYPE PHONE JACK	
X :±0.5	X :±2°	DWN	Angus	<b>PART NO.2SJ3039-000111F</b>
X.X :±0.3	X.X :±1°	CHKD	Tom	SCALE 3:1 UNIT: mm
X.XX :±0.2		APVD	Tony	SIZE: A3 SHEET:1 OF 1 REV: B
<b>CUSTOMER COPY</b>				