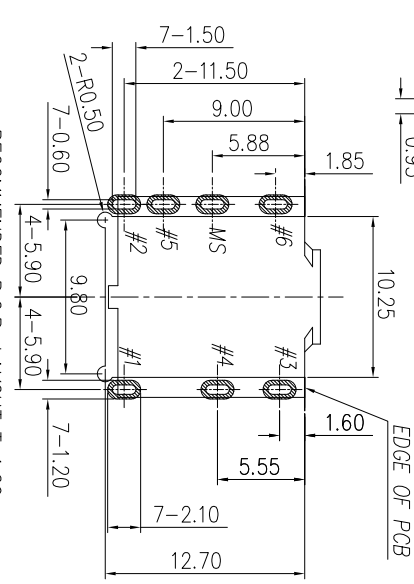
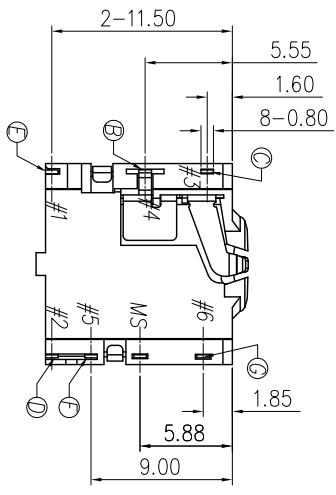
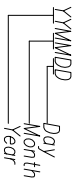


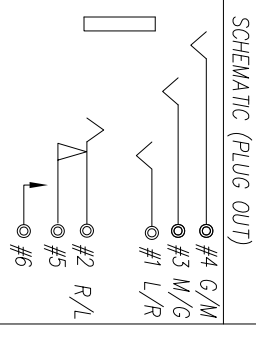
3.5φ 4 POLE PLUG
TOLERANCE: ±0.05

SPECIFICATIONS:

- ELECTRICAL CHARACTERISTICS:
 - RATING: 36V AC 1A DC.
 - CONTACT RESISTANCE: 50mΩ MAX.
 - DILECTRIC WITHSTANDING VOLTAGE: 500V AC FOR ONE MINUTE.
 - INSULATION RESISTANCE: 100mΩ/MIN. MEASURED BY 500 VDC.
- MECHANICAL CHARACTERISTICS:
 - INSERTION FORCE : 0.4~3.0 KGf
 - WITHDRAWAL FORCE : 0.3~2.0 KGf
 - LIFE TEST: 5,000 CYCLES MIN.
 - OTHER GENERAL SPEC. TO REFER "2SJ3052 SERIES SPEC".
 - TO CONFORM TO THE SINGATRON HAZARDOUS SUBSTANCE FREE SPEC.
 - HALOGEN FREE PRODUCT IDENTIFICATION MARK ON PRODUCT.
 - HALOGEN FREE PRODUCT IDENTIFICATION LOGO ON PACKAGING.
 - FOR REFLOW SOLDERING LEAD-FREE PROCESS.
 - DATE CODE: YYMMDD



RECOMMENDED P.C.B. LAYOUT T=1.20
TOP VIEW (TOLERANCE: ±0.05)



H	SHIELD	1	COPPER ALLOY 0.20T	MATE Sn 120μ ON SOLDER AREA ALL OVER W: 50μ MIN
G	BREAK	1	COPPER ALLOY 0.20T	GOLD FLASH ON CONTACT AREA & SOLDER TAIL OVER W: 50μ MIN
F	TRANSFER TERMINAL	1	COPPER ALLOY 0.20T	GOLD FLASH ON CONTACT AREA
E	TIP	1	COPPER ALLOY 0.20T	MATE Sn 120μ ON SOLDER AREA
D	RING-A	1	COPPER ALLOY 0.25T	ALL OVER W: 50μ MIN
C	RING-B	1	COPPER ALLOY 0.20T	
B	EARTH	1	COPPER ALLOY 0.20T	
A	BODY	1	HIGH TEMP. THERMOPLASTIC UL 94V-0	BLACK
NO	DESCRIPTION	QTY	MATERIAL	PLATING & COLOR
UNLESS OTHERWISE SPECIFIED TOLERANCES				
Singatron Enterprise Co., Ltd. 信亨企業股份有限公司				
DECIMALS: ANGLES:				
X	: ±0.5	X	: ±2°	
XX	: ±0.3	XX	: ±1°	
XXX	: ±0.2			
TITLE: 3.5φ PHONE JACK				
DWN	MARS	PART NO.	2SJ3052-003111F	
CHKD	BRUCE	SCALE	1:1	UNIT: mm
APVD	Lussen	SIZE: A3	SHEET: 10F1	REV: B
CUSTOMER COPY				

REV.	ECN NO OR DESCRIPTION	REVISED	DATE
A	PDR NO.T111025-2A	Eileen	2012.01.16
B	ECN No.S130579	MARS	2013.05.30